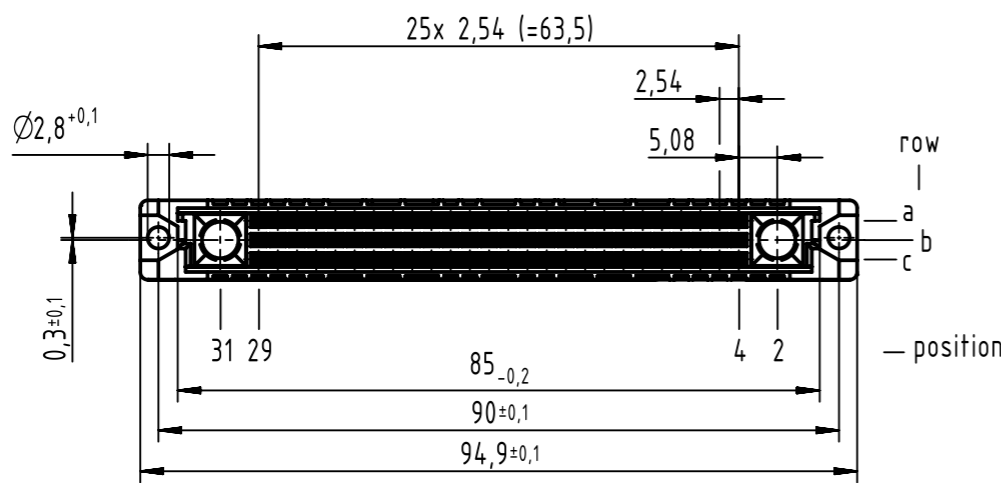
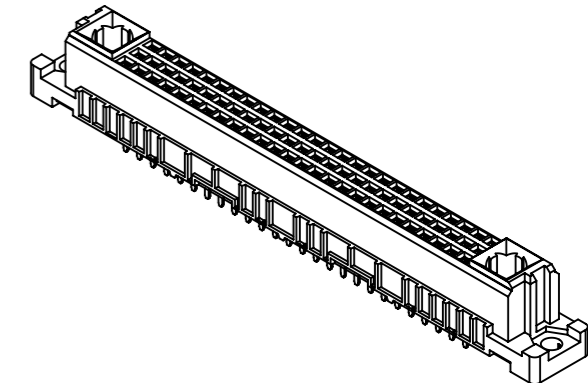
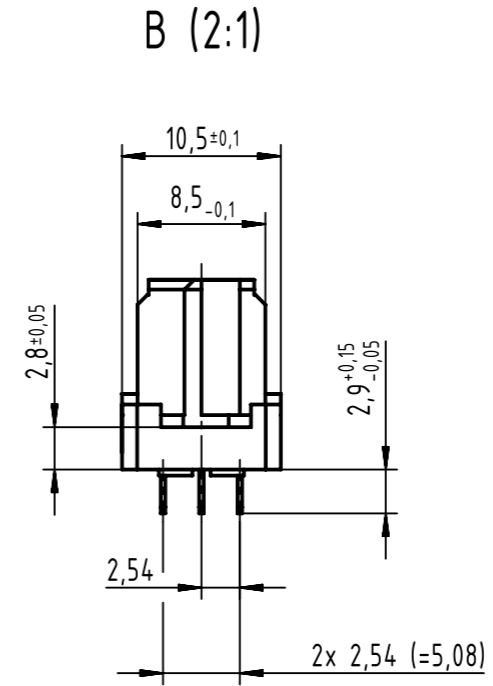
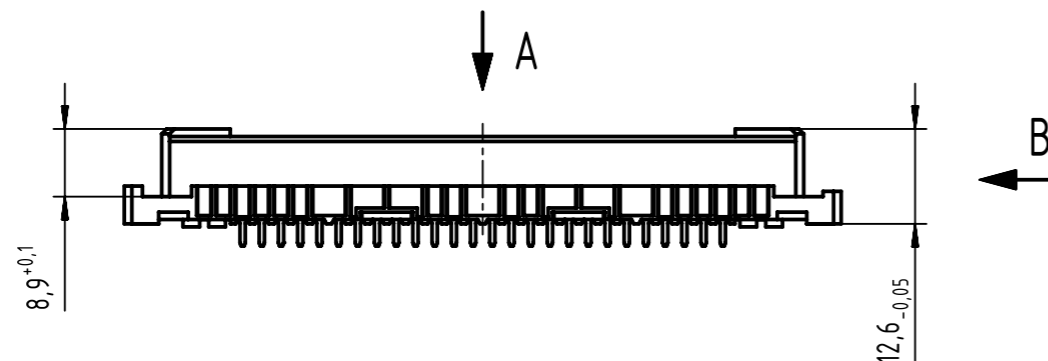
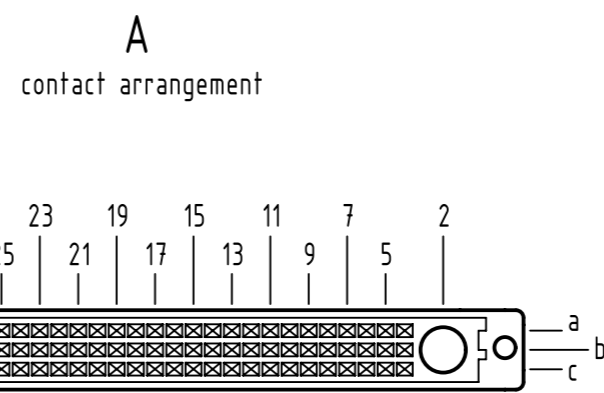
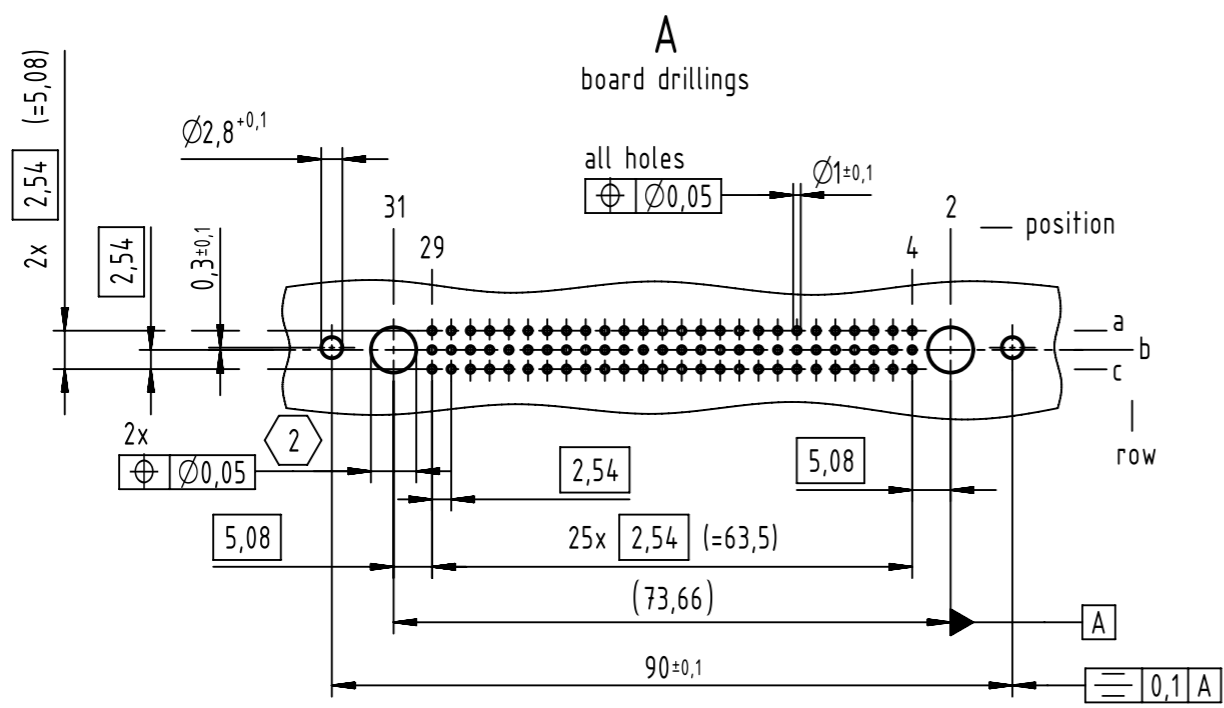


1 2 3 4 5 6 7 8

A
B
C
D
E
F

A
B
C
D
E
F



- 2 hole diameter is to be co-ordinated with the respective contact
- 1 further information see: DS 09032100001

09 03 278 6804	2
part no.	performance level 1

	All Dimensions in mm Original Size DIN A3	Scale 1:1	Free size tol. IEC 60603-2	Ref.	
	All rights reserved Department EC PD - DE	Created by ZWAHR	Inspected by TADJE	Standardisation HOFFMANN	Date 2017-01-20
HARTING Electronics GmbH D-32339 Espelkamp	Title DIN Signal type M78 female solder 2.9 78-pole				Doc-Key / ECM-Nr. 100072218/UGD/065/D 500000114096
	Type TB	Number 0903278X804			Rev. D Page 1/1

1 2 3 4 5 6 7 8