

THIS DRAWING IS UNPUBLISHED.

RELEASED FOR PUBLICATION

2016

© COPYRIGHT 2016

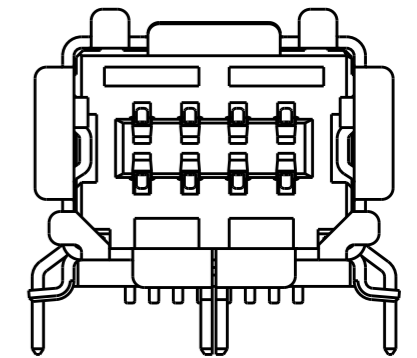
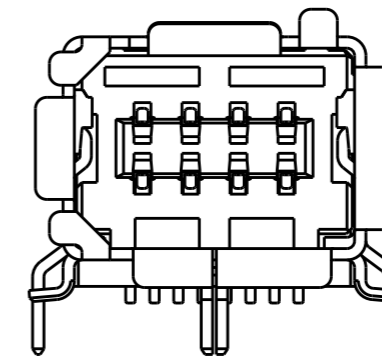
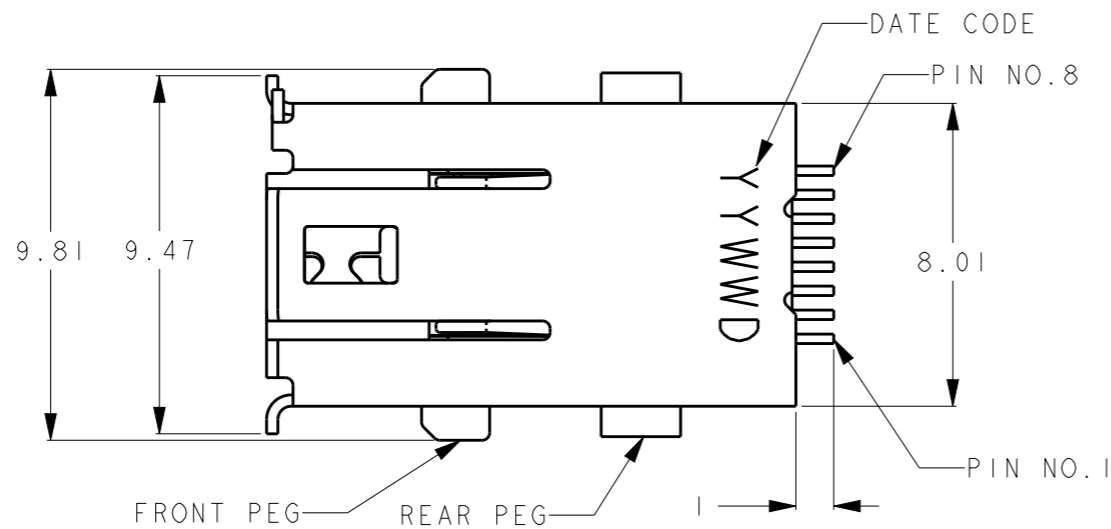
BY Tyco Electronics Japan G.K.

ALL RIGHTS RESERVED.

- 1 : AS SHOWN

REVISIONS

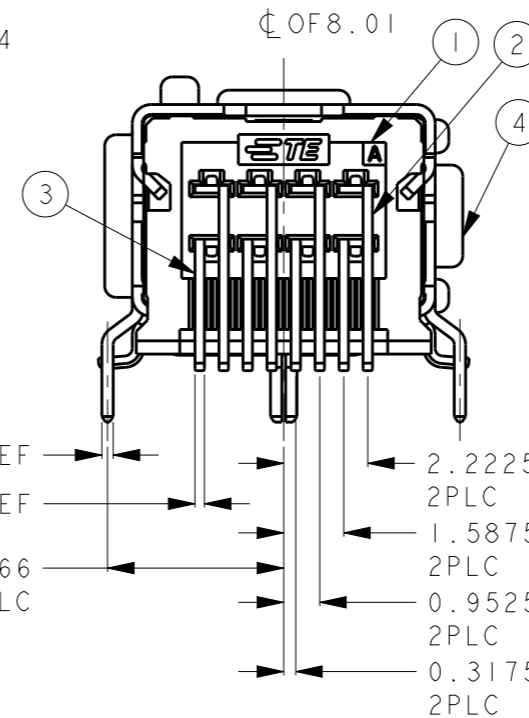
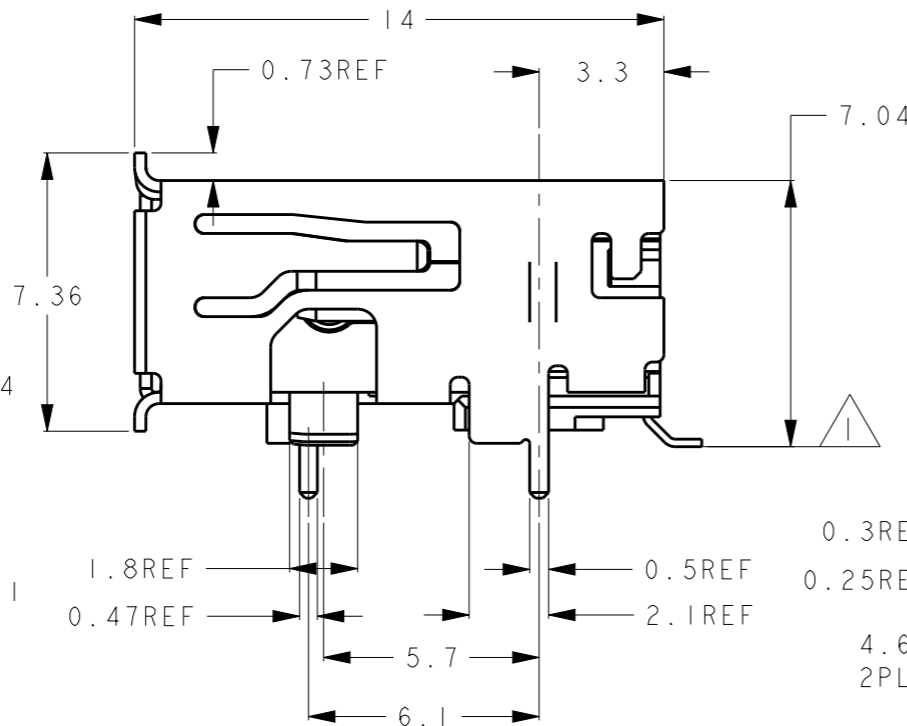
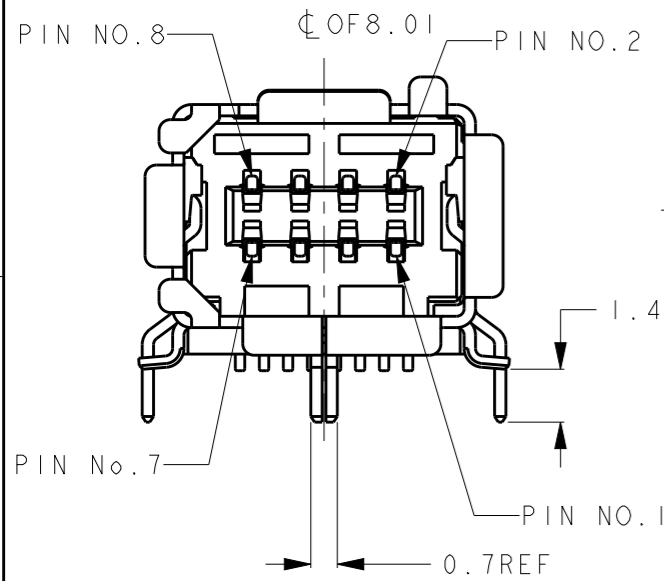
P	LTR	DESCRIPTION	DATE	DWN	APVD
A		RELEASED	28JUN2016	T.S	N.Y
B		REVISED	11JUL2016	T.S	N.Y



TYPE I

TYPE II

P/N	D-SHAPE	HOUSING COLOR
2294417-4	TYPE II	NATURAL
2294417-1	TYPE I	BLACK



1 COPLANARITY: 0.08MAX (FRONT PEG, CONTACT)

2 DIMENSION DECIDED BY CUSTOMER

3. PRODUCT QUANTITY : 300/REEL

ITEM	DESCRIPTION	ITEM
1	HDR SHELL TYPE II MATERIAL: SUS UNDER ALL SURFACE Ni 0.00127MIN ALL SURFACE Sn 0.002MIN	4
-	HDR SHELL TYPE I MATERIAL: SUS UNDER ALL SURFACE Ni 0.00127MIN ALL SURFACE Sn 0.002MIN	
4	HDR LOWER CONTACT MATERIAL: COPPER ALLOY UNDER ALL SURFACE Ni 0.00127MIN CONTACT AREA Au 0.0005MIN SOLDERING AREA Sn 0.002MIN	3
4	HDR UPPER CONTACT MATERIAL: COPPER ALLOY UNDER ALL SURFACE Ni 0.00127MIN CONTACT AREA Au 0.0005MIN SOLDERING AREA Sn 0.002MIN	2
1	HDR HOUSING MATERIAL: THERMO PLASTIC(UL94 V-0) COLOR: NATURAL	1
-	HDR HOUSING MATERIAL: THERMO PLASTIC(UL94 V-0) COLOR: BLACK	
-4	DESCRIPTION	ITEM

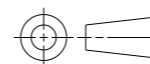
THIS DRAWING IS A CONTROLLED DOCUMENT.

DWN 28JUN2016  
T. SHIMOYASU  
CHK 28JUN2016  
E. TAKEMASA  
APVD 28JUN2016  
N. YAMASAKI



DIMENSIONS: 単位: 耗 mm

TOLERANCES UNLESS OTHERWISE SPECIFIED: 一般公差 ±0.3



0 PLC ±  
1 PLC ±  
2 PLC ±  
3 PLC ±  
4 PLC ±  
ANGLES ±5°

PRODUCT SPEC 108-78405  
APPLICATION SPEC 114-32132  
WEIGHT 1.08g

INDUSTRIAL MINI I/O CONN.  
1.27MM PITCH 8P HDR ASSY SMT EMBOSS

SIZE A3 CAGE CODE - DRAWING NO. C-2294417 RESTRICTED TO -

MATERIAL 材料

FINISH 仕上

CUSTOMER DRAWING SCALE 5:1 SHEET 1 OF 3 REV B



THIS DRAWING IS UNPUBLISHED.

RELEASED FOR PUBLICATION

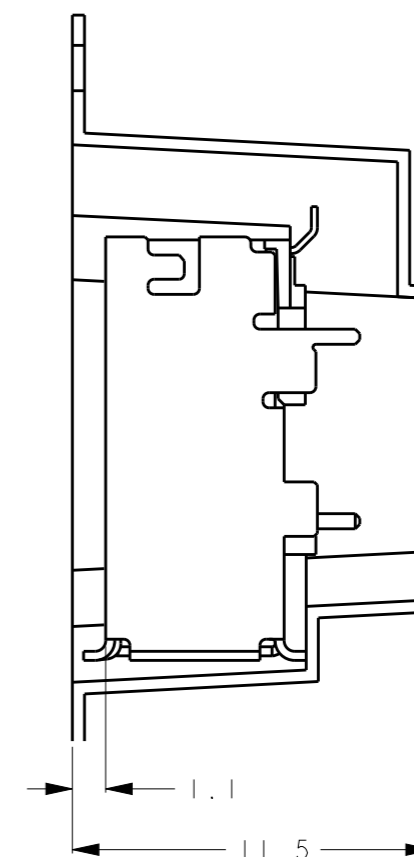
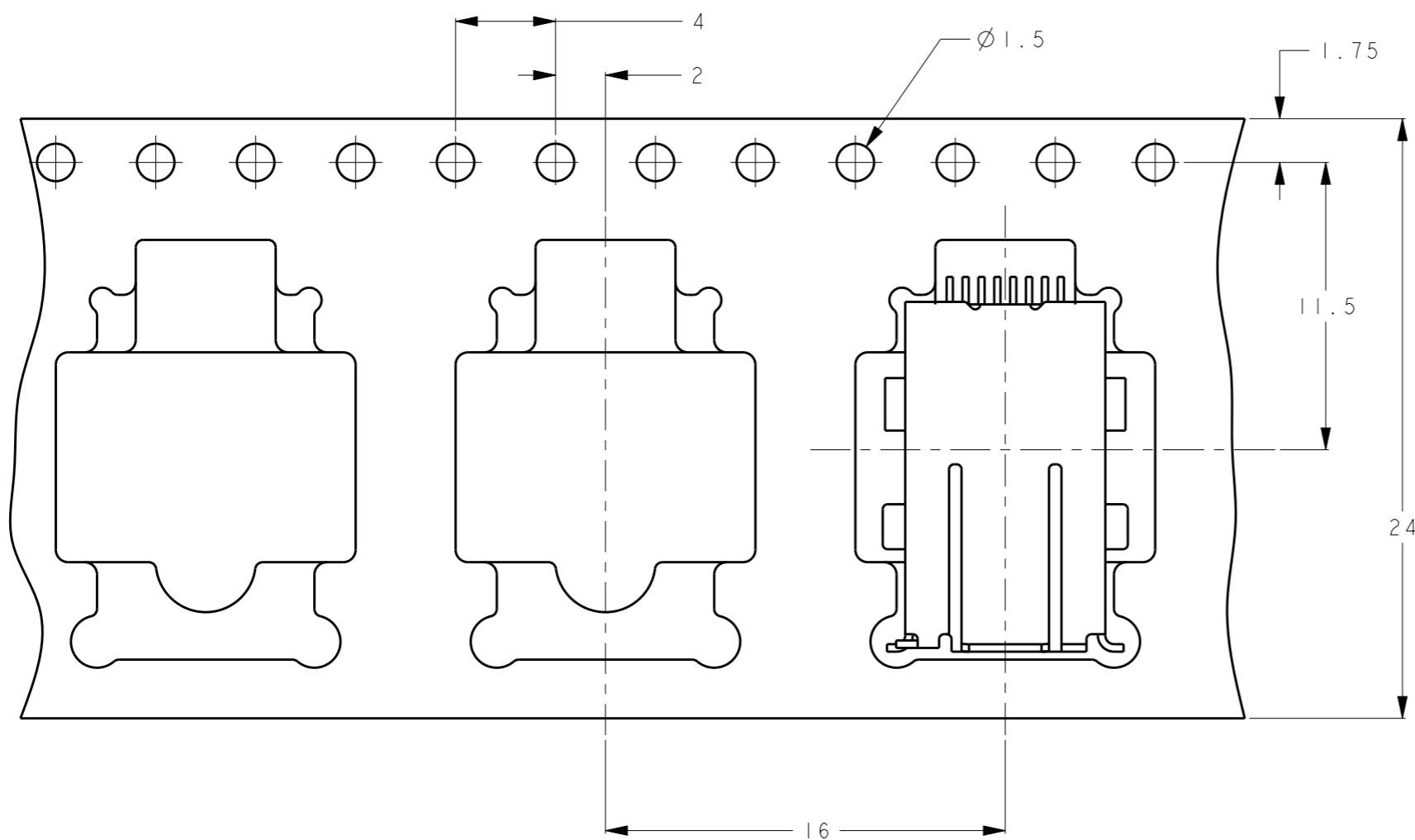
2016

© COPYRIGHT 2016 BY Tyco Electronics Japan G.K. ALL RIGHTS RESERVED.

REVISIONS

変更

P	LTR	DESCRIPTION	DATE	DWN	APVD
		SEE SHEET 1			



EMBOSS TAPE

THIS DRAWING IS A CONTROLLED DOCUMENT.

DIMENSIONS: 単位: 耗 mm		TOLERANCES UNLESS OTHERWISE SPECIFIED: 一般公差 ±0.5	
		0 PLC ±	
		1 PLC ±	
		2 PLC ±	
		3 PLC ±	
		4 PLC ±	
MATERIAL 材料		FINISH 仕上	
		ANGLES ±5°	

DWN
CHK
APVD
PRODUCT SPEC 製品規格
APPLICATION SPEC 取付適用規格
WEIGHT
CUSTOMER DRAWING



INDUSTRIAL MINI I/O CONN.  
1.27MM PITCH 8P HDR ASSY SMT EMBOSS

NAME 名称	SIZE	CAGE CODE	DRAWING NO 番号	RESTRICTED TO
	A3	-	C-2294417	-
SCALE 尺度		SHEET 3 OF 3		REV B
4:1				