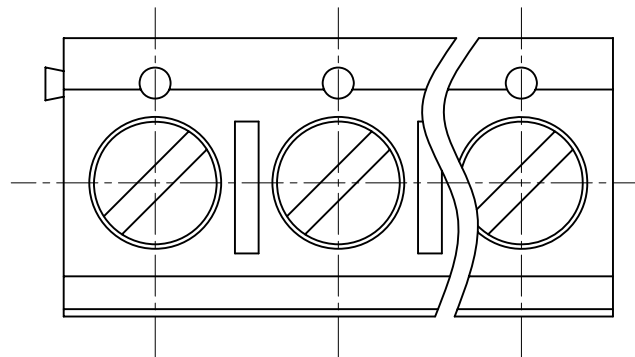
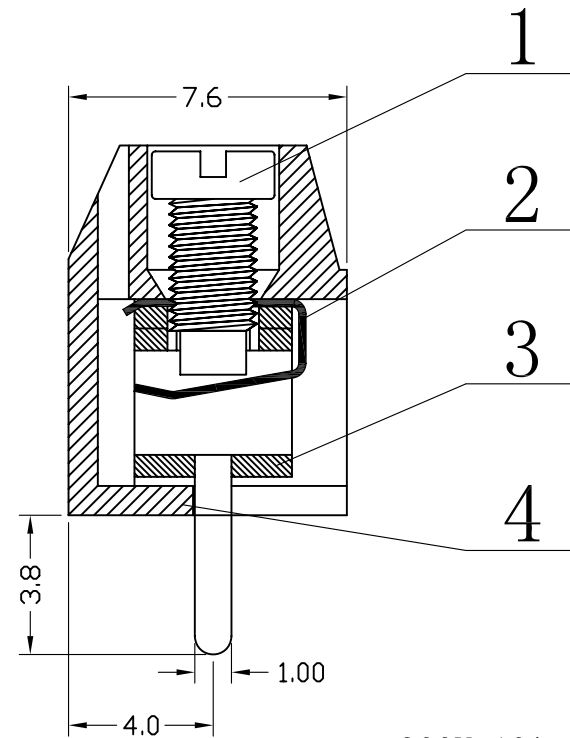
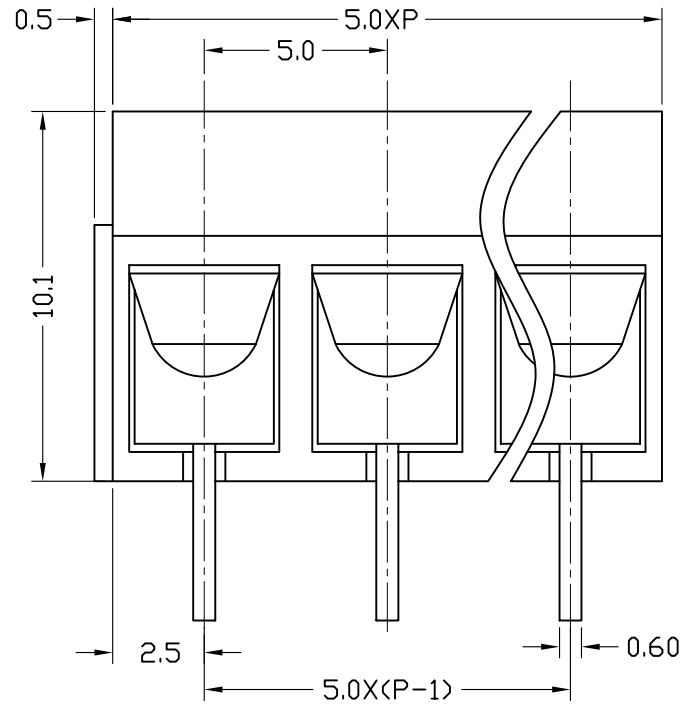


序号/RevNo.	名称/Title	文件编号/File No.
1	XY306螺丝	QJ/XYT-2127101
2	XY306簧片共用301	QJ/XYT-2127102
3	XY306端子	QJ/XYT-2127103
4	XY306A塑件	QJ/XYT-2127104



300V 10A 22-14AWG 1.5mm²
Poles: 2P&3P-24P
Pitch: 5.0mm

Materials
Housing: PBT (UL 94V-0)
Wire Protector: Stainless steel
Solder Pin: Brass, Tin Plated
Screw: M2.5, Steel (A3), Zinc Plated
Torque: 0.4N.m

设计/Designed by	绘图/Drawing by	审核/Checked by	批准/Approved by	未注公差 General Tolerance	
				x. ±0.2	x." ±2°
				.x ±0.1	.x" ±1°
				.xx ±0.05	.xx" ±0.5°
				.xxx ±0.01	
图名/Title XY306A 产品图			文件编号/File No. QJ/XYT-2227100	页序/Sheet	
备注/Remark					单位/Units: mm