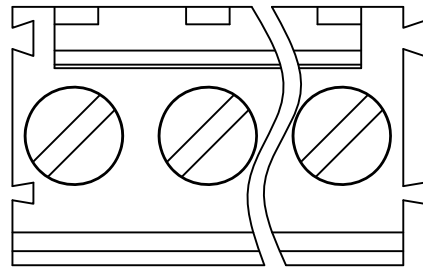
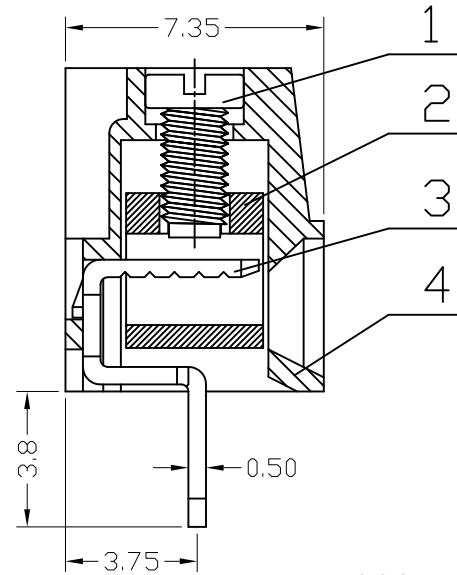
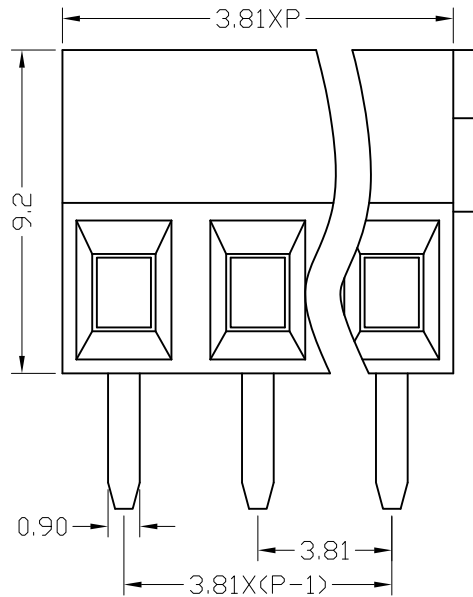


序号/RevNo.	名称/Title	文件编号/File No.
1	XY303一字螺丝 (与XY302一字螺丝共用)	QJ/XYT-2148101
2	XY303铜方块 (与XY302铜方块共用)	QJ/XYT-2148102
3	XY303V 端子 (与XY302V端子共用)	QJ/XYT-2148104
4	XY303 塑件	QJ/XYT-2149101



300V 10A 26-16AWG 1.0mm<sup>2</sup>  
Poles: 2P&3P-24P  
Pitch: 3.81mm(.150")

Materials  
Housing: PA66 (UL 94V-0)  
Wire Cage: Brass, Nickel Plated  
Solder Pin: Brass, Tin Plated  
Screw: M2, Steel (A3), Zinc Plated  
Torque: 0.2N.m

设计/Designed by	绘图/Drawing by	审核/Checked by	批准/Approved by	未注公差 General Tolerance			
				x.	±0.2	x."	±2°
				.x	±0.1	.x°	±1°
				.xx	±0.05	.xx°	±0.5°
				.xxx	±0.01		
图名/Title		文件编号/File No.		单位/Units: mm			
XY303V 产品图		QJ/XYT-2249100					
备注/Remark		页序/Sheet					