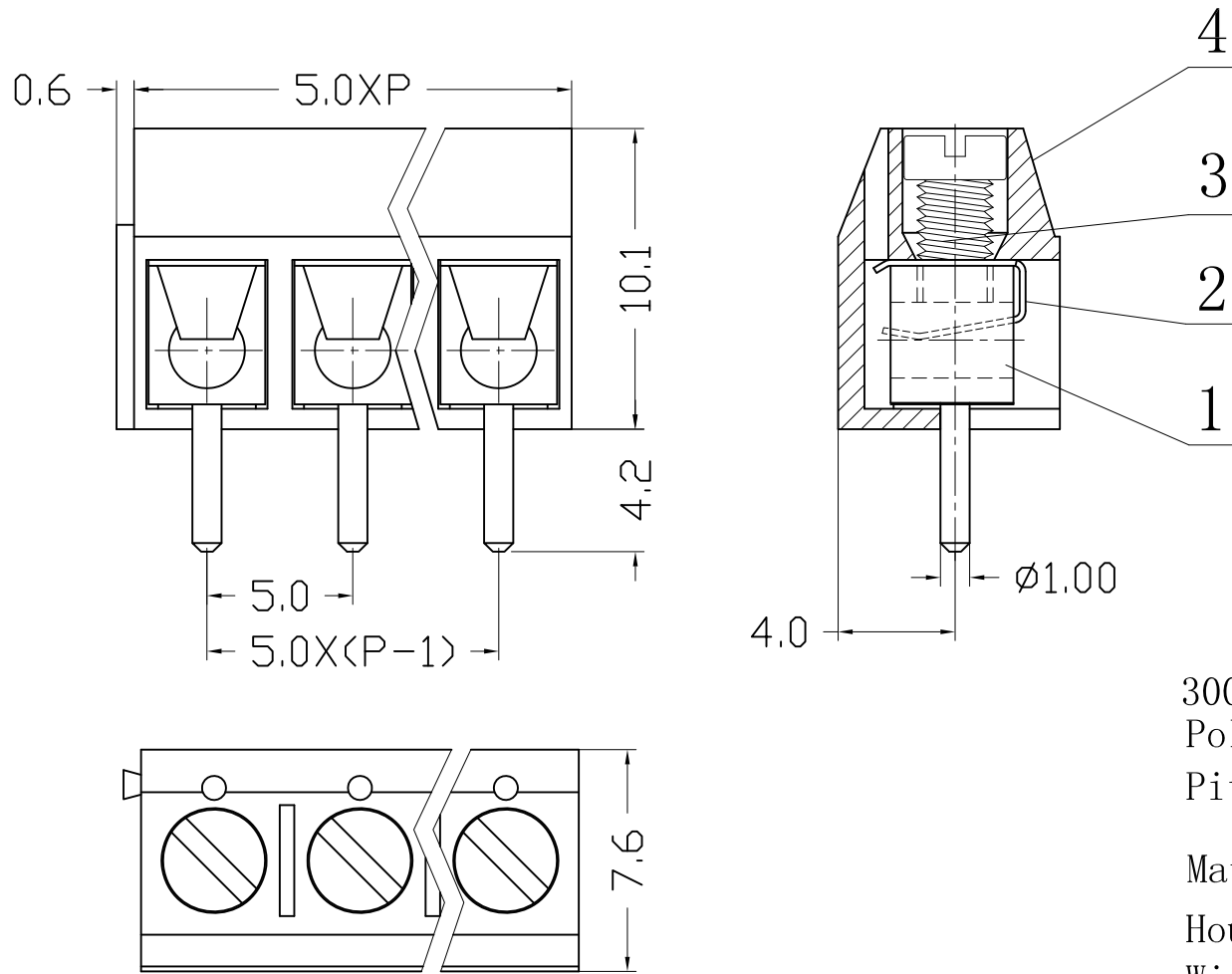


序号/RevNo.	名称/Title	文件编号/File No.
1	XY301V 端子	QJ/XYT-2127103
2	XY301 簧片	QJ/XYT-2225101
3	XY301 螺丝	QJ/XYT-2125104
4	XY301VA 塑件	QJ/XYT-2225102



300V 15A 22-14AWG 1.5mm<sup>2</sup>  
Poles: 2P&3P-24P  
Pitch: 5.0mm

Materials

Housing: PBT (UL 94V-0)  
Wire Protector: Stainless Steel  
Solder Pin: Brass, Tin Plated  
Screw: M2.5, Steel (A3), Zinc Plated  
Torque: 0.4N.m

设计/Designed by	绘图/Drawing by	审核/Checked by	批准/Approved by	未注公差 General Tolerance	
		图名/Title	文件编号/File No.	x. ±0.2	x." ±0°
		XY301V-A	QJ/XYT-2225100	.x ±0.1	.x" ±1°
		产品图	页序/Sheet	.xx ±0.05	.xx" ±0.5°
备注/Remark				.xxx ±0.01	
				单位/Units: mm	