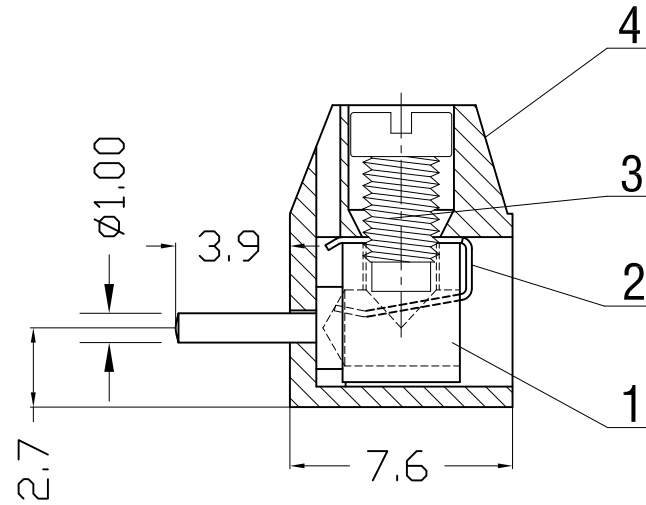
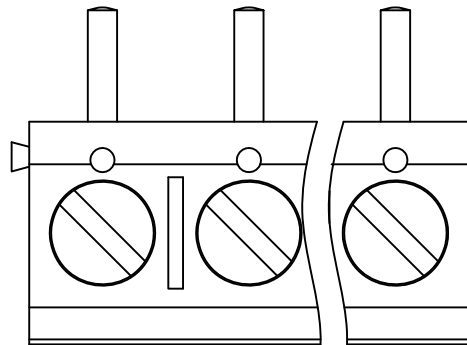
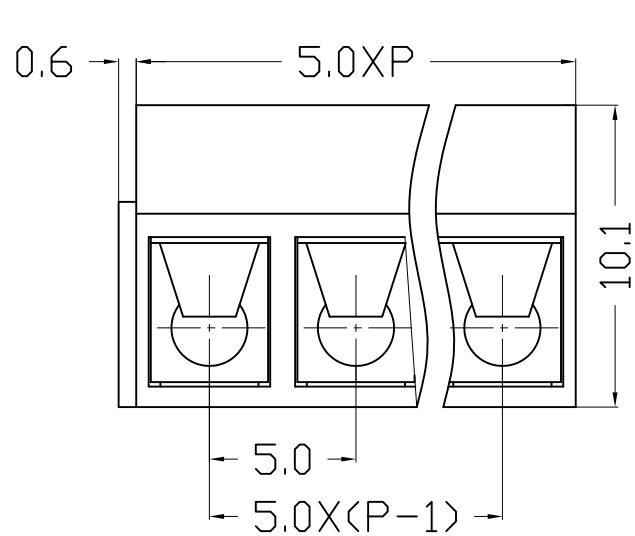


| 序号/RevNo. | 名称/Title | 文件编号/File No. |
|-----------|------------|----------------|
| 1 | XY301R 端子 | QJ/XYT-2225201 |
| 2 | XY301 簧片 | QJ/XYT-2225101 |
| 3 | XY301 螺丝 | QJ/XYT-2125104 |
| 4 | XY301RA 塑件 | QJ/XYT-2225202 |



300V 15A 22-14AWG 1.5mm²

Poles: 2&3-24P

Pitch: 5.0mm

Materials

Housing: PBT (UL 94V-0)

Wire Protector: Stainless Steel

Solder Pin: Brass, Tin Plated

Screw: M2.5, Steel (A3), Zinc Plated

Torque: 0.4N.m

| 设计/Designed by | 绘图/Drawing by | 审核/Checked by | 批准/Approved by | 未注公差 General Tolerance | | | |
|-----------------|---------------|----------------|----------------|---------------------------|-------|------|-------|
| | | | | x. | ±0.2 | x.° | ±0° |
| | | | | .x | ±0.1 | .x° | ±1° |
| | | | | .xx | ±0.05 | .xx° | ±0.5° |
| | | | | .xxx | ±0.01 | | |
| 图名/Title | | 文件编号/File No. | | 单位/Units: mm | | | |
| XY301R-A 产品图 | | QJ/XYT-2225300 | | | | | |
| 备注/Remark | | | | | | | |