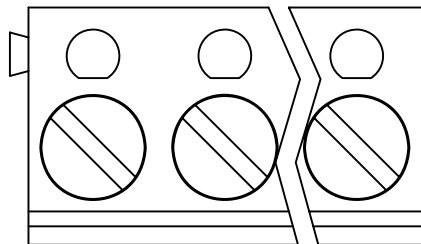
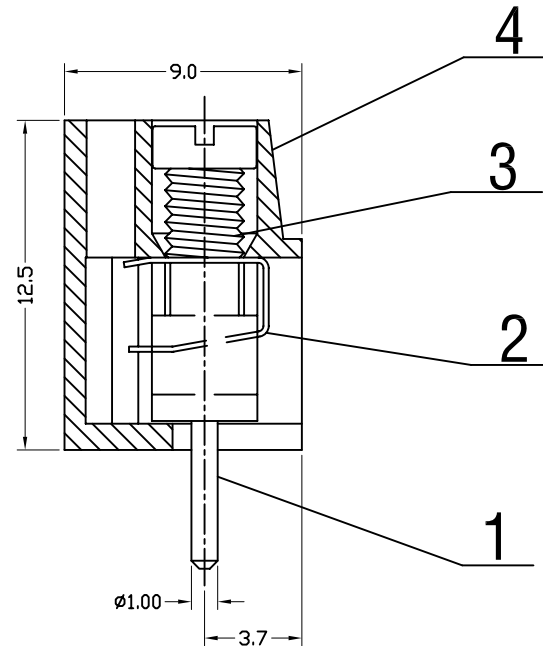
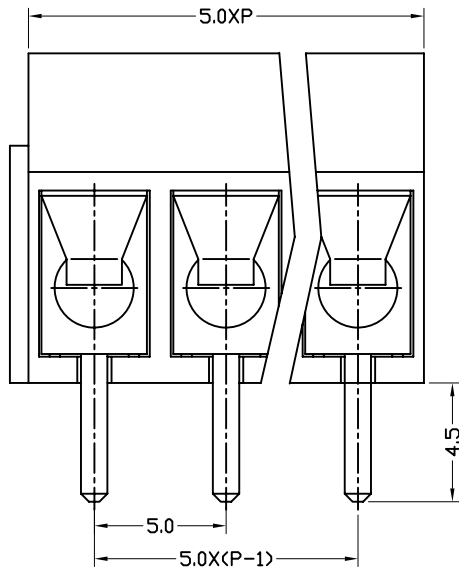


序号/RevNo.	名称/Title	文件编号/File No.
1	XY300V端子	QJ/XYT-2124101
2	XY300弹片	QJ/XYT-2124102
3	XY300螺丝	QJ/XYT-2124103
4	XY300V-A塑件	QJ/XYT-2124104



300V 10A 22-14AWG 2.5mm²
Poles: 2P&3P-24P
Pitch: 5.0mm (.197")

Materials

Housing: PBT (UL 94-0)

Wire Protector: Stainless Steel

Solder Pin: Brass, Tin Plated

Screw: M3, Steel (A3), Zinc Plated

Torque: 0.5N.m

设计/Designed by	绘图/Drawing by	审核/Checked by	批准/Approved by	未注公差 General Tolerance		
				x. ±0.2	x.° ±2°	
新莱亚电子 XINLAIYA ELECTRONIC CO., LTD			图名/Title	文件编号/File No.	.x ±0.1	.x° ±1°
			XY300VA-5.0	QJ/XYT-2224100	.xx ±0.05	.xx° ±0.5°
产品图			页序/Sheet	.xxx ±0.01		
备注/Remark				单位/Units: mm		

序号/RevNo.	更改记录/Revision note	签名/Signature	日期/Date