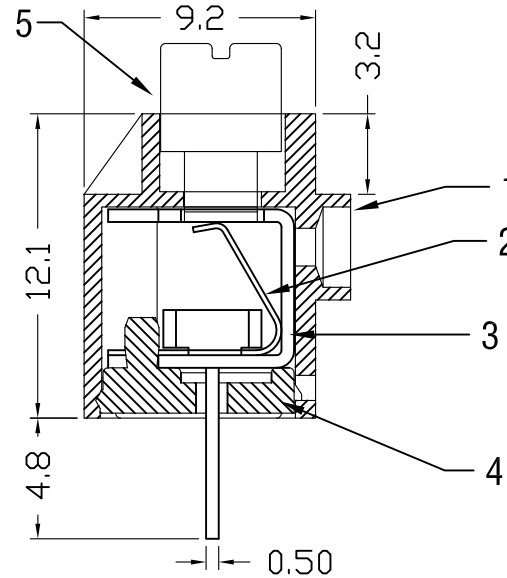
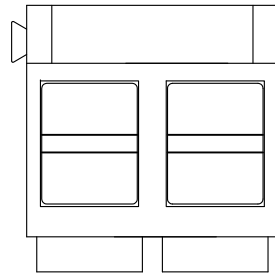
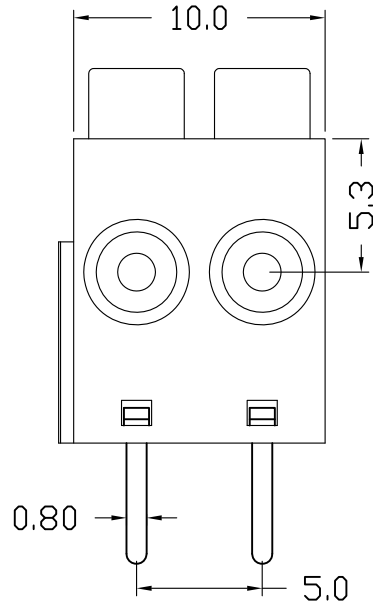


序号/RevNo.	名称/Title	文件编号/File No.
1	XY118 主体	QJ/XYT-215101
2	XY118 盖板	QJ/XYT-215102
3	XY118 按钮	QJ/XYT-215103
4	XY118 弹片	QJ/XYT-215104
5	XY118 端子	QJ/XYT-215105



300V 8A 22-18AWG 1.0mm²

Poles: 2P

Pitch: 5.0mm(.197")

Materials

Housing: PA66(UL 94V-0)

Solder Pin: Brass, Tin Plated

Clamping: Stainless steel

设计/Designed by	绘图/Drawing by	审核/Checked by	批准/Approved by	未注公差 General Tolerance			
 XINLAIYA ELECTRONIC CO.,LTD				x. ±0.2 x.° ±2°			
				图名/File name		文件编号/File No.	
				XY118-2P		QJ/XYT-225100	
备注/Remark				.x ±0.1 .x° ±1°			
				.xx ±0.05 .xx° ±0.5°			
				.xxx ±0.01			
				单位/Units: mm			