

5

4

3

2

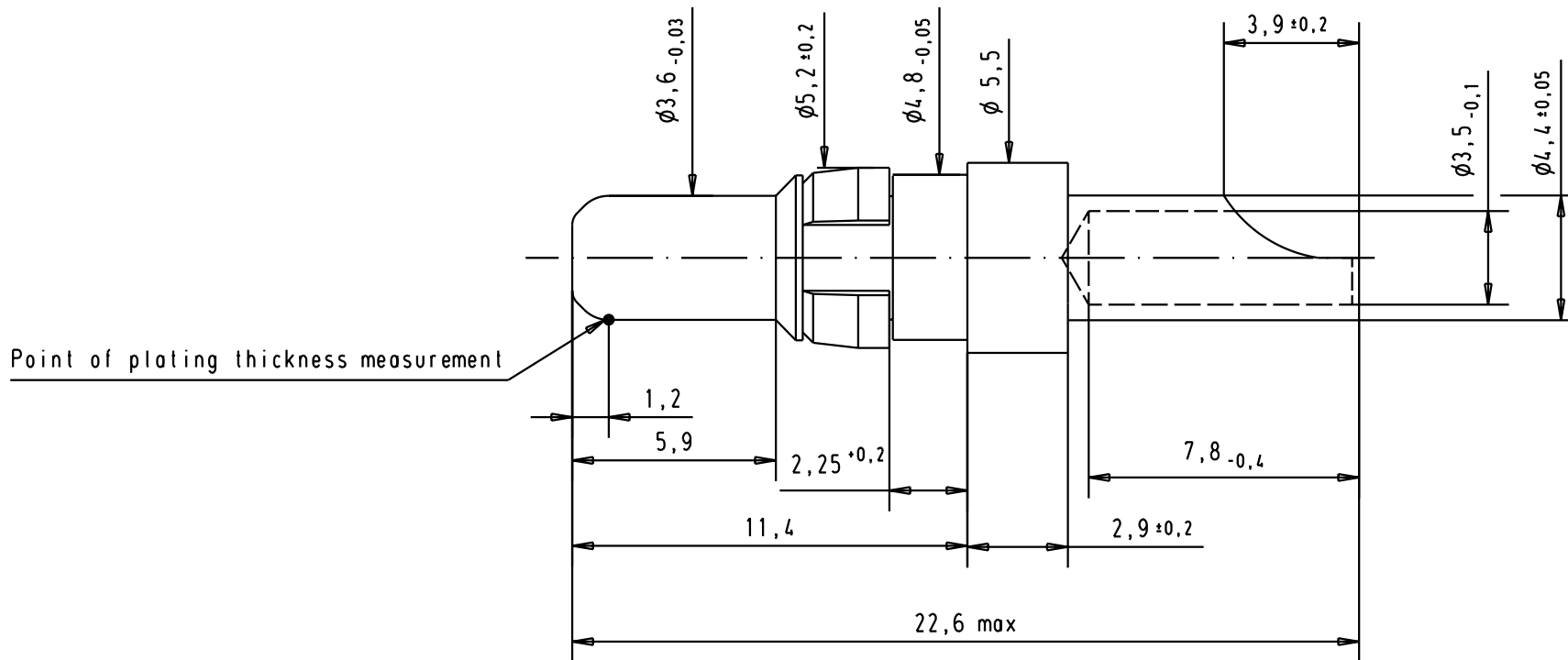
1

D

C

B

A



09692817422	Mating area	0,2 μm Au									Male High power contact, 30A straight cable termination, solder	Maßstab/ Scale	5:1
	Termination area	5 μm Sn											
09692815422	Mating area	0,8 μm Au									TB 09 69 281 x422	Blatt/ Page	1 / 1
	Termination area	0,2 μm Au	31057	21-JUN-02	CV	HARTING EURL	F-95972 Paris						
Part number	Plating		Mod.	Dat.	Name							Sub.	



All Dim. in mm  
Orig. Size DIN A 4



# Mouser Electronics

Authorized Distributor

Click to View Pricing, Inventory, Delivery & Lifecycle Information:

[HARTING:](#)

[09692817422](#) [09692815422](#)