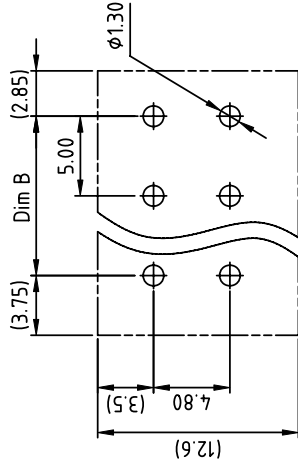
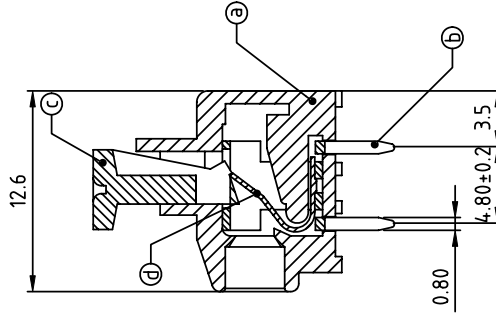
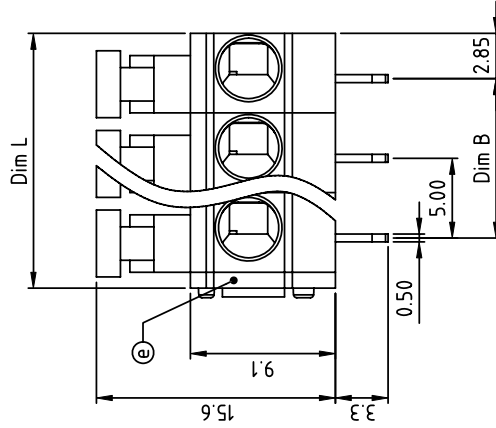
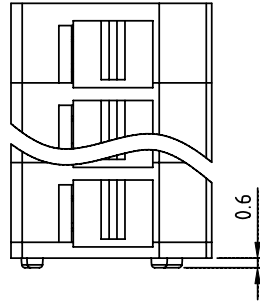


PRODUCT NUMBER	PITCH
HBxx01x000J0G	5.00 mm



RECOMMENDED P.C.B. LAYOUT
TOP VIEW

Material:

- Item ① Terminal housing: Thermoplastic (UL94V-0)
- Item ② Solder Pin: Brass Tin plated.
- Item ③ Lever: Thermoplastic (UL94V-0) Natural color
- Item ④ Spring clamp: Stainless steel
- Item ⑤ Terminal Cover: Thermoplastic (UL94V-0)

Electrica cULUS VDE

- Voltage rating: 300VAC 450VAC
- Current rating: 10A 6A
- Wire range: 0.5mm²
- Solid wire(AWG): 14-20
- Stranded wire(AWG): 14-20
- Wire strip length: 9-10mm
- Withstanding Voltage: 1.6KV 2.5KV
- Operating temperature: -40°C to +115°C
- Soldering temperature: 260°C±5°C/5 Sec
- Safety Approval:

N=Number of poles PART NO.: HB xx 01 x 0 00J0 G

Dim L=Nx5.0+1.00

Dim B=(N-1)x5.0

POLES	Dim L	Dim B
1p	±0.10	±0.15
2p-6p	±0.20	±0.25
7p-12p	±0.30	±0.35
13p-18p	±0.40	±0.40
19p-24p	±0.45	±0.40

- End stackable 0
 - No. of poles 01 1 poles
 - 02 2 poles
 - ... 24
 - 24 24 poles
 - 19p-24p
- Color
- 0 Black (RAL9005)
 - 2 Red (RAL3001/D)
 - 3 Orange(RAL2011/P)
 - 4 Yellow(RAL1018/A)
 - 5 Green(RAL6018/T)
 - 6 Blue (RAL5015/A)
 - 8 Grey(RAL7004/P)
 - 9 White(RAL1102)
 - C Multiple colors
- RoHS compliant (lead<4%) in copper Alloy

mat'l. code		surface	tolerance	projection	product family	TERMINAL BLOCK
ltr	ecn no/dr	ASME Y14.5	ASME Y14.5		title	TERMINAL BLOCK
		tolerances unless otherwise specified	X:±0.5	MM	TERMINAL BLOCK	
		angles	X.X±0.3		SCALE	
		X±1°	X.XX±0.1		dwg no	sheet 1 of 1 size
		dr	EVIN ZHONG 052614		SPRING CLAMP,180D WIRE INLET,SINGLE WITH LEVER	A4
		enfr	EVIN ZHONG 052614		HBxx01x000J0G	
		chr	HANKE FENG 052614		type	CUSTOMER Drawing
		appd	SHI JUN 052614			
sheet index	revision	A				
	sheet	1				