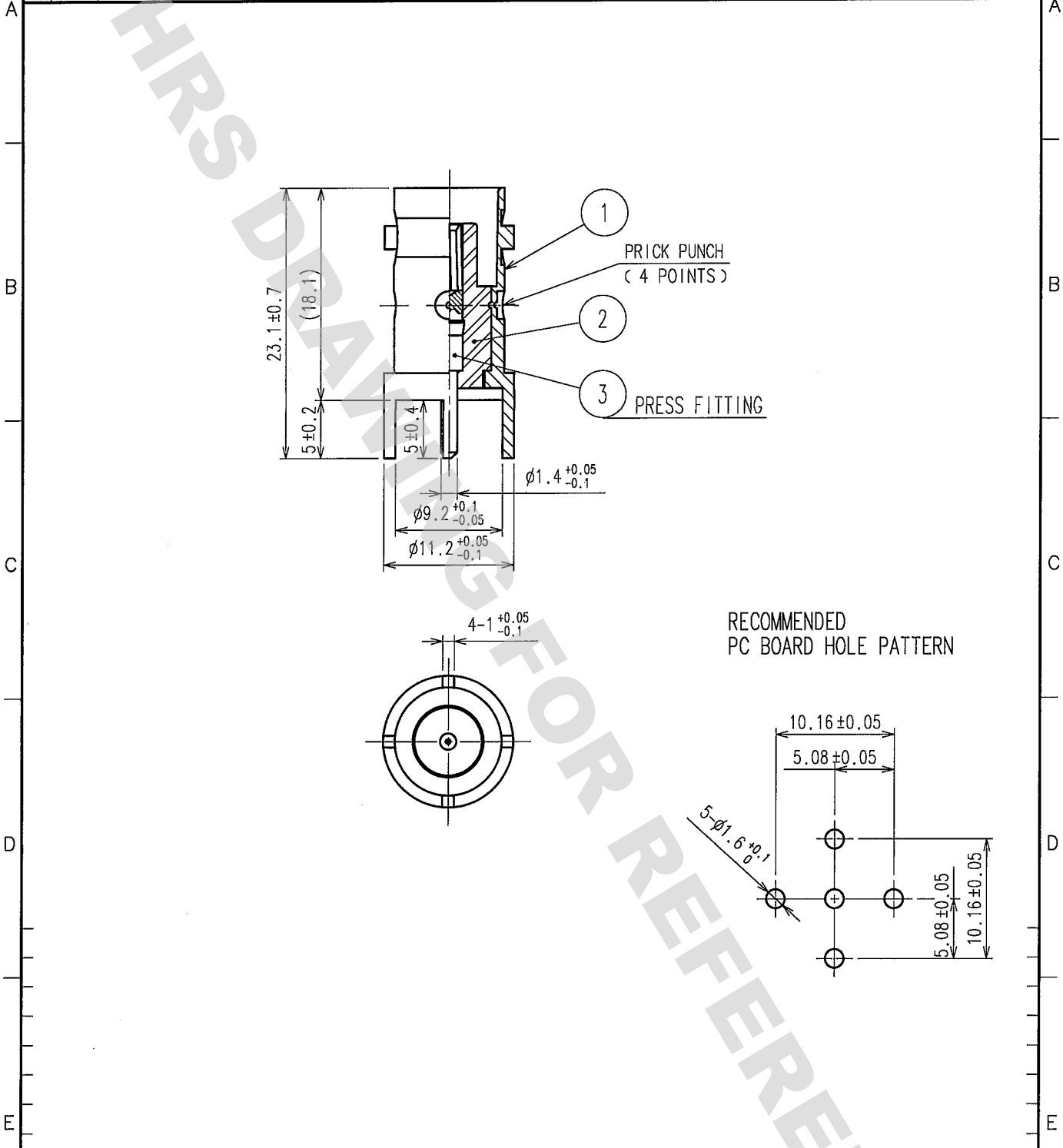


DRAWING FOR REFERENCE: This is subject to change without notice
08/11/2012

1		2			3			4		
COUNT	DESCRIPTION OF REVISIONS	BY	CHKD	DATE	COUNT	DESCRIPTION OF REVISIONS	BY	CHKD	DATE	
△					△				..	
△					△				..	
△					△				..	



2	PTFE						
1	BRASS	NICKEL PLATING	3	BERYLLIUM COPPER	SILVER PLATING		
NO.	MATERIAL	FINISH, REMARKS	NO.	MATERIAL	FINISH, REMARKS		
CODE NO. (OLD) CL		DRAWN <i>H. Fukuuchi</i> '07.11.08	DESIGNED <i>H. Fukuuchi</i> '07.11.08	CHECKED <i>T. Nobe</i> '07.11.08	APPROVED <i>M. Yamane</i> '07.11.09	RELEASED	
RoHS COMPLIANT							
DRAWING NO. EDC4-009060-40		PART NO. BNC-R-PC(40)					
UNITS mm		CODE NO. CL302-0241-4-40				1/1	

TO
RF

Mouser Electronics

Authorized Distributor

Click to View Pricing, Inventory, Delivery & Lifecycle Information:

[Hirose Electric:](#)

[BNC-R-PC\(40\)](#)