
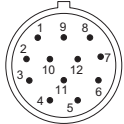
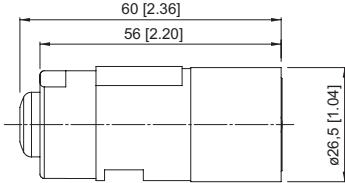

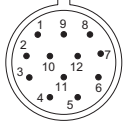
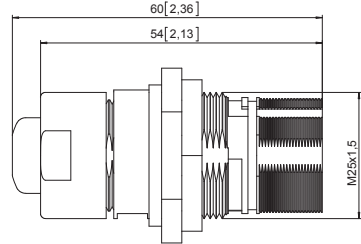


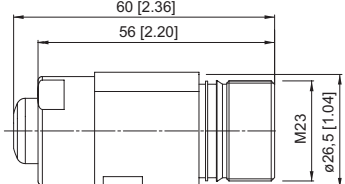


# Connection technology

M23 connection technology		Connectors, self-assembly		Order no.
<b>12 pin</b>				
<p><b>Male connector with external thread</b> pin assignment ccw</p> <p>Housing: metal, IP67</p> 	<p>solder connections, for cable <math>\varnothing</math> 5.5 ... 10.5 mm [0.22 ... 0.41"]</p>  	<p>suitable for:</p> <p>versions with cable outlet</p>	<p><b>8.0000.5015.0001</b></p>	
<p><b>Male connector with external thread</b> pin assignment ccw central fastening</p> <p>Housing: metal, IP67</p> 	<p>solder connections, for cable <math>\varnothing</math> 5.5 ... 10.5 mm [0.22 ... 0.41"]</p>  	<p>suitable for:</p> <p>versions with cable outlet</p>	<p><b>8.0000.5015.0000</b></p>	
<p><b>Female connector with coupling nut</b> pin socket assignment cw</p> <p>Housing: metal, IP67</p> 	<p>solder connections, for cable <math>\varnothing</math> 5.5 ... 10.5 mm [0.22 ... 0.41"]</p>  	<p>suitable for:</p> <p>5000 / 5020 580X / 582X            5814 / 5834 5814FSx / 5834FSx            F5863 / F5883            585x / 587x 5853FSx / 5873FSx            586x / 588x 5863FSx / 5883FSx            9000 908x            A02x</p>	<p><b>8.0000.5012.0000</b></p>	

# Connection technology

## M23 connection technology Connectors, self-assembly

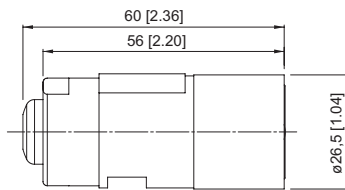
### 12 pin Order no.

**Female connector with coupling nut  
pin socket assignment cw**  
(EX zone 2/22 on request)

Housing: metal, IP67



solder connections,  
for cable  $\varnothing$  5.5 ... 10.5 mm [0.22 ... 0.41"]



suitable for:

- |               |                   |
|---------------|-------------------|
| 5000 / 5020   | 580X / 582X       |
| 5814 / 5834   | 5814FSx / 5834FSx |
| F5863 / F5883 |                   |
| 585X / 587X   | 5853FSx / 5873FSx |
| 586X / 588X   | 5863FSx / 5883FSx |
| 9000          | 908X              |
| A02X          |                   |

**8.0000.5012.0000.Ex**

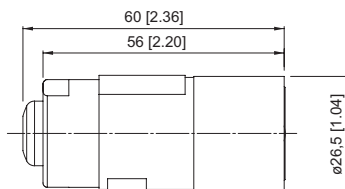
### 17 pin Order no.

**Female connector with coupling nut  
pin socket assignment ccw**

Housing: metal, IP67



solder connections,  
for cable  $\varnothing$  5.5 ... 10.5 mm [0.22 ... 0.41"]



suitable for:

- |             |
|-------------|
| 5850 / 5870 |
| 5852 / 5872 |

**8.0000.5042.0000**

# Connection technology

## M23 connection technology Cordsets, pre-assembled

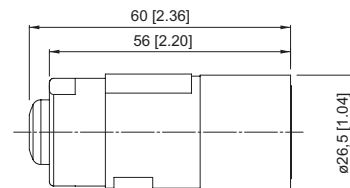
With connector, 12 pin Working temp. -30°C ... +80°C [-22°F ... +176°F] Order no.

### Female connector with coupling nut + single-ended

Cable: PVC, 6 x 2 x 0.14 mm<sup>2</sup> [AWG25]  
Housing: metal, IP67



### pin socket assignment cw



suitable for our series with RS422 or SinCos output:

5000 / 5020 5803 / 5823  
5804 / 5824 5805 / 5825  
5814 / 5834 5814FSx / 5834FSx  
A020 / A02H H120

### Terminal assignment

Pin female contacts:	1	2	3	4	5	6	7	8	9	10	11	12	PH <sup>2)</sup>
Wire colour:	PK	RD-BU	BU	RD	GN	YE	-	GY	-	WH	GY-PK	BN	PH <sup>2)</sup>

### Cable length<sup>1)</sup>

2 m [6.56']  
5 m [16.40']  
10 m [32.81']  
15 m [49.21']

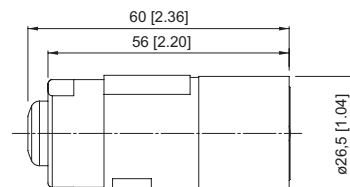
**8.0000.6901.0002**  
**8.0000.6901.0005**  
**8.0000.6901.0010**  
**8.0000.6901.0015**

### Female connector with coupling nut + single-ended

Cable: PUR, 10 x 0.14 mm<sup>2</sup> [AWG25] +  
2 x 0.5 mm<sup>2</sup> [AWG20]  
Housing: metal, IP67



### pin socket assignment cw



suitable for our series with RS422 or SinCos output:

5000 / 5020 5803 / 5823  
5804 / 5824 5805 / 5825  
5814 / 5834 5814FSx / 5834FSx  
A020 / A02H H120

### Terminal assignment

Pin female contacts:	1	2	3	4	5	6	7	8	9	10	11	12	PH <sup>2)</sup>
Wire colour:	PK	BN	BU	RD	GN	YE	-	GY	-	WH <sub>0.5 mm<sup>2</sup></sub>	WH	BN <sub>0.5 mm<sup>2</sup></sub>	PH <sup>2)</sup>

### Cable length<sup>1)</sup>

2 m [6.56']  
5 m [16.40']  
10 m [32.81']  
15 m [49.21']

**8.0000.6101.0002**  
**8.0000.6101.0005**  
**8.0000.6101.0010**  
**8.0000.6101.0015**

1) Other cable lengths on request.  
2) Shield on housing.

## M23 connection technology Cordsets, pre-assembled

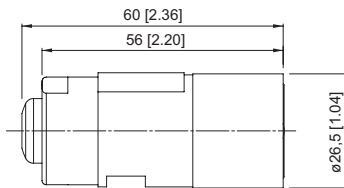
With connector, 12 pin Working temp. -30°C ... +80°C [-22°F ... +176°F] Order no.

### Female connector with coupling nut + single-ended

Cable: PVC, 6 x 2 x 0.14 mm<sup>2</sup> [AWG25]  
Housing: metal, IP67



### pin socket assignment cw



suitable for our series with SSI or analogue output:

5850 / 5870	F5863 / F5883
5853 / 5873	5853FSx / 5873FSx
5863 / 5883	5863FSx / 5883FSx
9081	

### Terminal assignment

Pin female contacts:	1	2	3	4	5	6	7	8	9	10	11	12	PH <sup>2)</sup>
Wire colour:	WH	BN	GN	YE	GY	PK	BU	RD	BK	VT	GY-PK	RD-BU	PH <sup>2)</sup>

### Cable length<sup>1)</sup>

2 m [6.56']	<b>8.0000.6901.0002.0031</b>
5 m [16.40']	<b>8.0000.6901.0005.0031</b>
10 m [32.81']	<b>8.0000.6901.0010.0031</b>
15 m [49.21']	<b>8.0000.6901.0015.0031</b>

1) Other cable lengths on request.  
2) Shield on housing.

# Connection technology

## M23 connection technology Cordsets, pre-assembled

With connector, 12 pin				Working temp. -30°C ... +80°C [-22°F ... +176°F]	Order no.
<b>Female connector with coupling nut + male connector with external thread</b> Cable: PVC, 6 x 2 x 0.14 mm <sup>2</sup> [AWG25] Housing: metal, IP67	pin socket assignment cw	pin socket assignment ccw	suitable for our series: 5000 / 5020 5803 / 5823 5804 / 5824 5805 / 5825 5814 / 5834 5814FSx / 5834FSx A020 / A02H H120		
				<i>Cable length <sup>1)</sup></i> 2 m [6.56'] 5 m [16.40'] 10 m [32.81'] 15 m [49.21']	<b>8.0000.6905.0002</b> <b>8.0000.6905.0005</b> <b>8.0000.6905.0010</b> <b>8.0000.6905.0015</b>
<b>Female connector with coupling nut + male connector with external thread</b> Cable: PVC, 6 x 2 x 0.14 mm <sup>2</sup> [AWG25] Housing: metal, IP67	pin socket assignment cw	pin socket assignment ccw	suitable for our series with SSI output: 5850 / 5870 F5863 / F5883 5853 / 5873 5853FSx / 5873FSx 5863 / 5883 5863FSx / 5883FSx 9081		
				<i>Cable length <sup>1)</sup></i> 2 m [6.56'] 5 m [16.40'] 10 m [32.81'] 15 m [49.21']	<b>8.0000.6905.0002.0032</b> <b>8.0000.6905.0005.0032</b> <b>8.0000.6905.0010.0032</b> <b>8.0000.6905.0015.0032</b>

Connection technology

1) Other cable lengths on request.  
 2) Shield on housing.

## M23 connection technology

## Cordsets, pre-assembled

With connector, 17 pin

Working temp. -30°C ... +80°C [-22°F ... +176°F]

Order no.

**Female connector with coupling nut + single-ended**

Cable: PVC, 18 x 0.14 mm<sup>2</sup> [AWG25]  
Housing: metal, IP67



pin socket assignment ccw



suitable for our series:

5850 / 5870  
5852 / 5872

Terminal assignment

Cable length <sup>1)</sup>

Pin female contacts:	1	2	3	4	5	6	7	8	9	10	11	12	13	14	15	16	17
Wire colour:	WH	BN	GN	YE	GY	PK	BU	RD	BK	VT	GY-PK	RD-BU	WH-GN	BN-GN	WH-YE	YE-BN	WH-GY

2 m [6.56']  
5 m [16.40']  
10 m [32.81']  
15 m [49.21']

**8.0000.6741.0002**  
**8.0000.6741.0005**  
**8.0000.6741.0010**  
**8.0000.6741.0015**

1) Other cable lengths on request.