

#### Models Available

**MDE** Delay on Energise Timer

**MINT** Interval Timer

**MDD** Delay on De-Energise Timer

#### Product Features

- Encapsulated solid state timer modules
- 0.5 to 20 seconds or 5 to 200 seconds
- 10 to 30Vdc powered
- PCB or panel mounting
- Local or remote potentiometer versions

## Encapsulated Timers

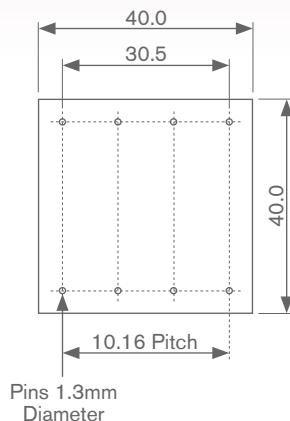
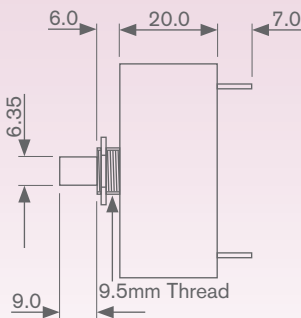
The Tempatron encapsulated timers are available in pcb mounting (external potentiometer) or panel mounting (internal potentiometer) versions. The internal potentiometer version is supplied with a calibrated self adhesive panel label whilst the external pcb mounting version requires a 500kohm linear potentiometer.

These timers can either operate a delay on energise, interval or delay on de-energise function and are available in two time ranges, 0.5 to 20 seconds or 5 to 200 seconds.

The encapsulated timers are powered from 10 to 30Vdc and have an open collector output. The timers are reset by removing the power supply.

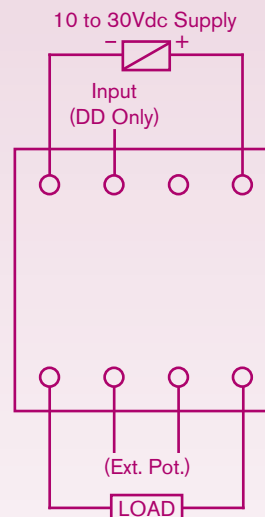
## For timing control of machinery, systems and operational processes

#### Dimensions



All dimensions in mm

#### Connections



[View on pins](#)

**Ordering information**

Model	Code	Description
	MDE	Encapsulated Delay on Energise Timer
	MINT	Encapsulated Interval Timer
	MDD	Encapsulated Delay on De-Energise Timer

Time Range	Code	Description
	20S	0.5 to 20 seconds
	200S	5 to 200 seconds

Potentiometer	Code	Description
	LP	Local (Internal) Potentiometer
	RP	Remote Potentiometer

Auxiliary Power	Code	Description
	30VDC	10 to 30Vdc

Options	Code	Description
	Preset	Factory Preset Fixed Time Range (specify)

<b>Example</b>	<b>MDE20SLP30VDC</b>
----------------	----------------------

**Specification****Repeat Accuracy:**

- $\pm 1\%$  at constant ambient
- Setting accuracy  $\pm 10\%$

**Power Supply Voltage:**

- 10 to 30Vdc

**Voltage Stability:**

- 1% over supply range

**Burden:**

- $< 1W$

**Output:**

- 150mA maximum current sink

**Linearity:**

- $> 3\%$  of full scale

**Reset Time:**

- 50ms approx.

**External Potentiometer:**

- 500kohm linear

**Operating Temperature:**

- $-20^{\circ}C$  to  $60^{\circ}C$

**Temperature Variation:**

- $< 1\%$  over full range

**Enclosure Code:**

- Case IP65

**Weight:**

- 80g

**Markings:**

- CE marked (meets EN61010-1 low voltage and EN50081-1/50082-1 EMC directives)

Specification subject to change without notice.

Tempatron: Eltime House, Hall Road, Maldon, Essex, CM9 4NF UK.

**TEMPATRON**

Tempatron Industrial Controls is a division of Eltime Ltd.

© Eltime Ltd. Tempatron Encapsulated Timers 04/2011