

Level Sensors Conductive Types VN, VNY, VPC, VPP

CARLO GAVAZZI



- 1 to 4 electrodes
- Isolated or unisolated electrodes
- Cable or screw connection
- 1/2", 1" or 1 1/2" without pipe thread according to ISO 228/1-Gxxx"

Product Description

Level sensor for measuring the level of conductive liquids, i.e. max./min. control of charging or discharging. The function is determined by

the amplifier relay used. The sensors are delivered with standard length electrodes - these are cut off to suit the application.

Ordering Key

VPC 110

Type _____
Housing material _____
Number of electrodes _____
Thread _____

Type Selection

Pipe thread	Electrode isolation	Housing Material	Ordering no. 1 electrode	Ordering no. 2 electrodes	Ordering no. 3 electrodes	Ordering no. 4 electrodes
1 1/2"	No	Nylon 6	VN 1	VN 2	VN 3	VN 4
1 1/2"	No	Nylon 6	VNY 1	VNY 2	VNY 3	VNY 4
1 1/2"	Polyethylene	Nylon 6	VNI 1	VNI 2	VNI 3	VNI 4
1 1/2"	Polyethylene	Nylon 6	VNYI 1	VNYI 2	VNYI 3	VNYI 4
1/2"	Polyethylene	PVC	VPC 105	VPC 205		
1"	Polyethylene	PVC	VPC 110	VPC 210	VPC 310	
1/2"	Polypropylene	Kynar (PVDF)	VPP 105	VPP 205		
1"	Polypropylene	Kynar (PVDF)	VPP 110	VPP 210	VPP 310	

Specifications

Electrodes	Material	Environment	Degree of protection
Material	Stainless steel	Degree of protection	IP 67
Standard length		Operating temperature	
VN, VNY	100 cm	VN, VNY	0° to 90°C (32° to 194 °F)
VPC, VPP	50 cm	VPC	0° to 60°C (32° to 140 °F)
Diameter		VPP	0° to 100°C (32° to 212 °F)
VN, VNY	Ø 5 mm	Storage temperature	
VPC, VPP	Ø 4 mm	VN, VNY	-25° to 100°C (-13° to 212°F)
Housing		VPC, VPP	-20° to 110°C (-40° to 230°F)
Connection		Pressure	
VN	Cable (PVC), 2 m	VN, VNY, VPP	10 bar at 60°C
VNY, VPC, VPP	Screw terminals	VPC	2 bar at 60°C

Mode of Operation

The length of the electrodes determines the levels which will be detected and the amplifier chosen determines the function (see SV...,

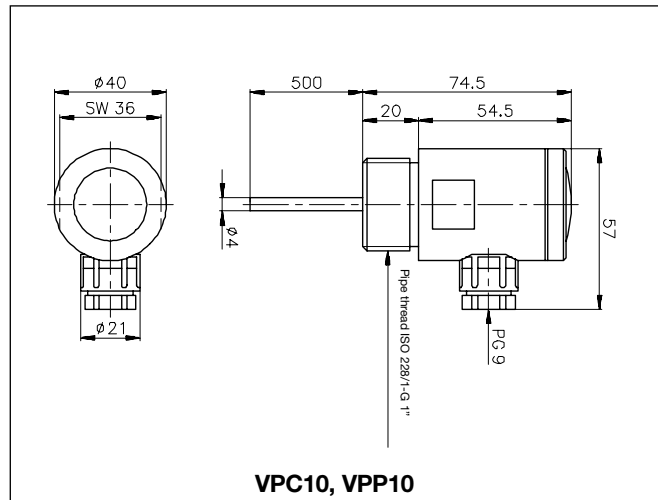
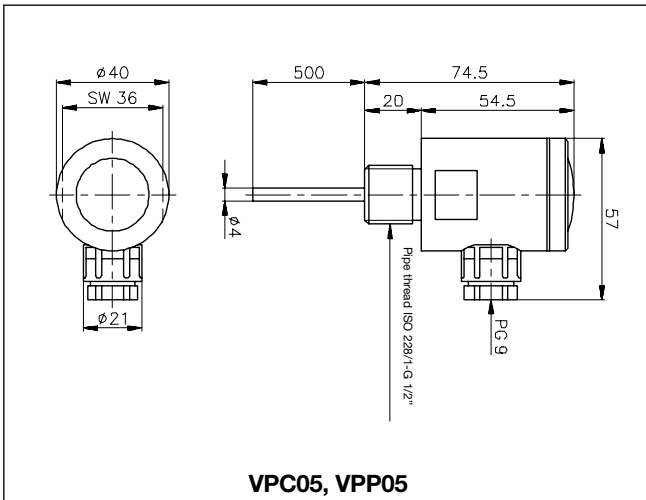
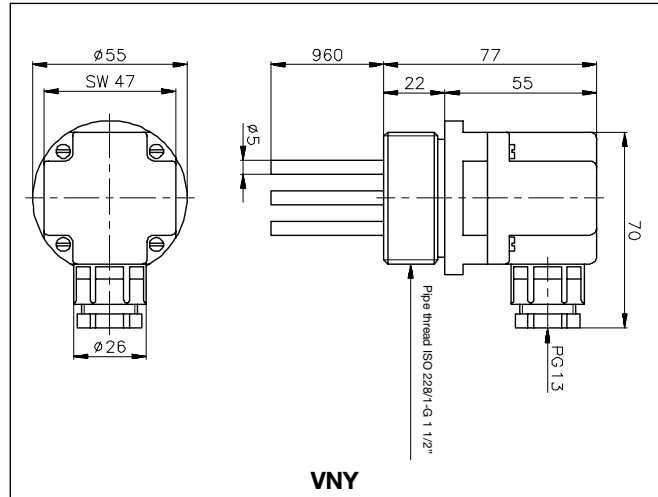
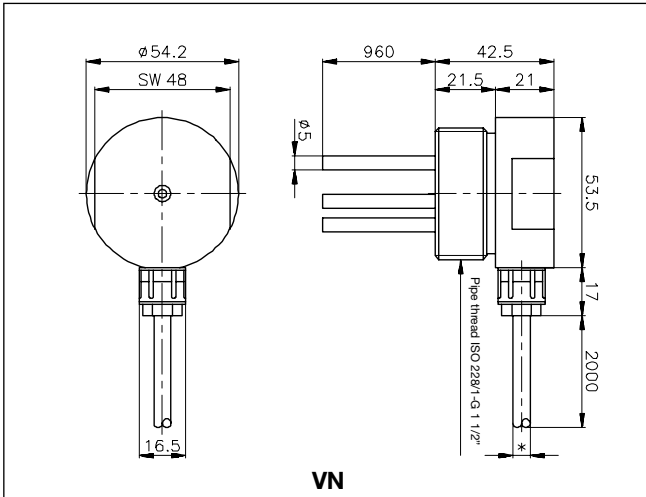
S195/196, S1961, ELA, ELC or ELD). If the container is made of a conductive material this can be used as common electrode.

Accessories

Extension joint for Ø5 mm electrodes (VN/VNI):

VD1

Dimensions



Wiring Diagrams

