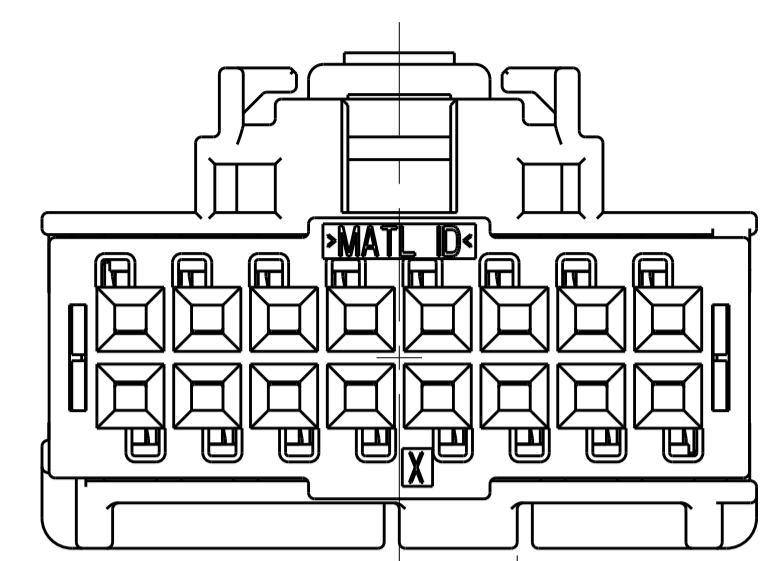
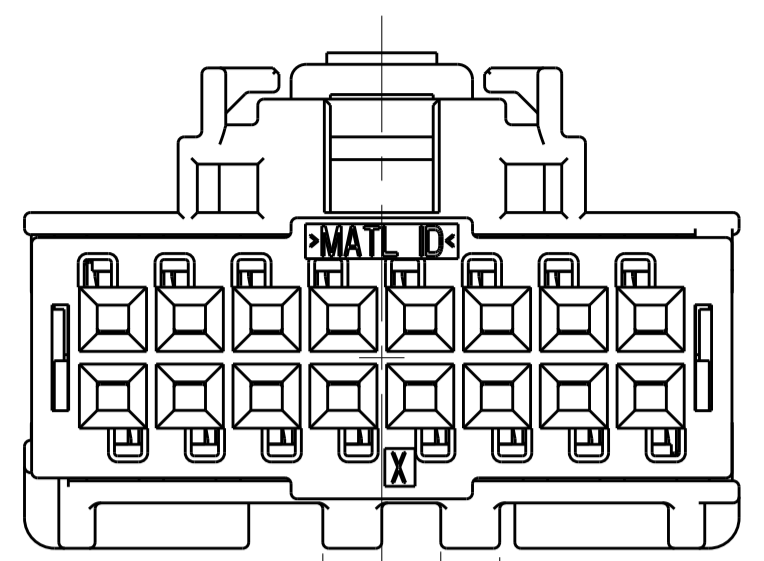


REVISIONS				
P.	LTR.	DESCRIPTION	DATE	APVD
A		REVISED PER ECR-07-004005	20FEB2007	HM DF
A1		REVISED ECO 07-023917	19OCT2007	DLD DJZ
A2		REVISED PER ECO-19-016644	11NOV2019	JMS CM



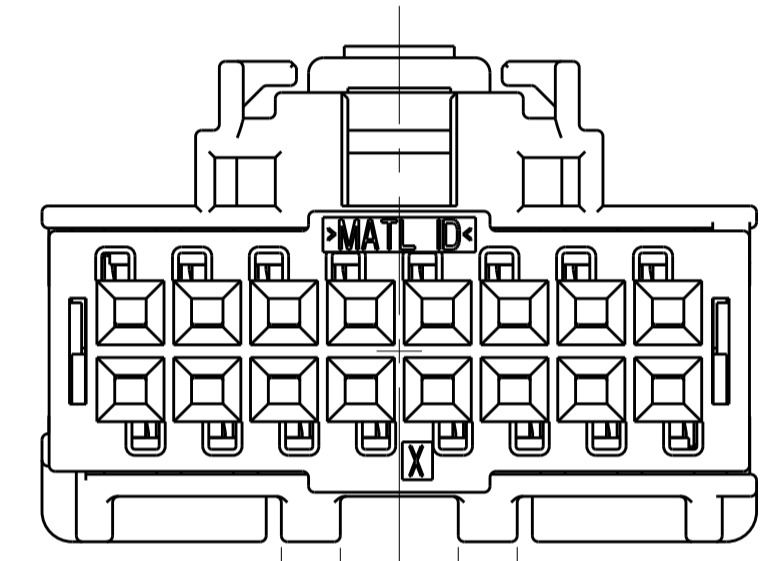
(3.90)

KEYING CODE "C"
SCALE 4:1



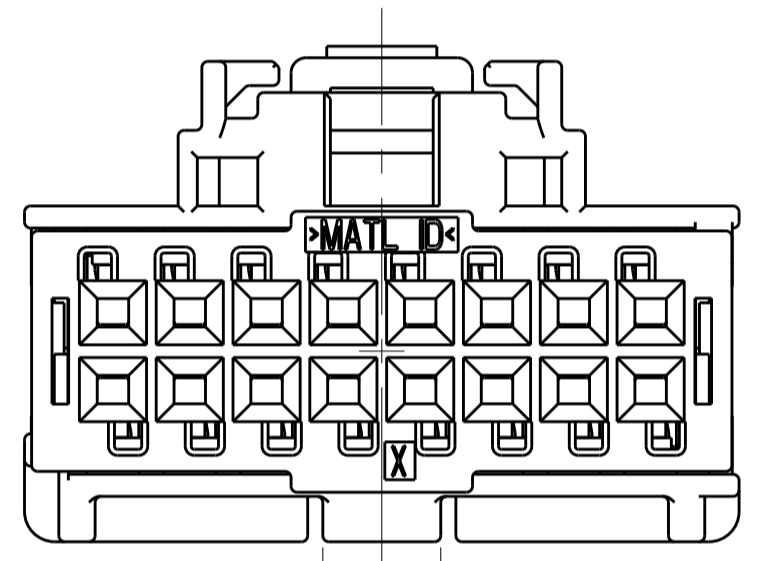
(1.95) (1.95) (3.90)

KEYING CODE "D"
SCALE 4:1



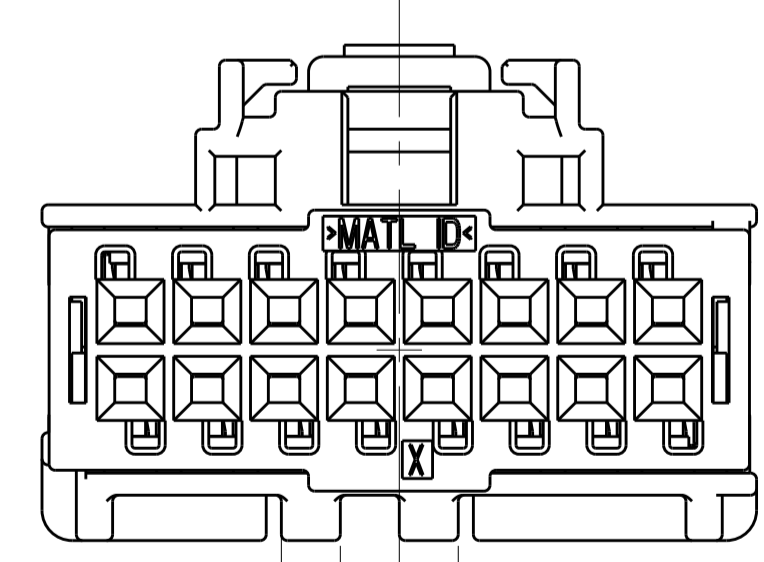
(1.95) (1.95) (3.90) (3.90)

KEYING CODE "E"
SCALE 4:1



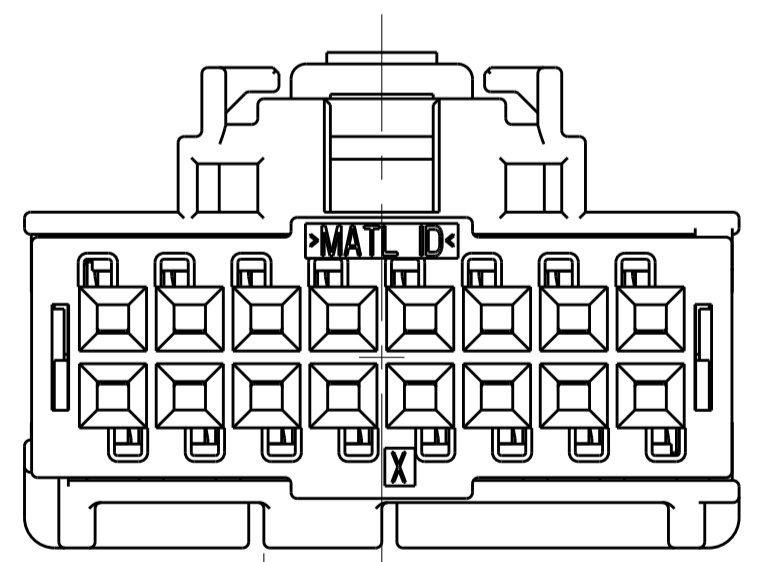
(1.95) (1.95)

KEYING CODE "F"
SCALE 4:1



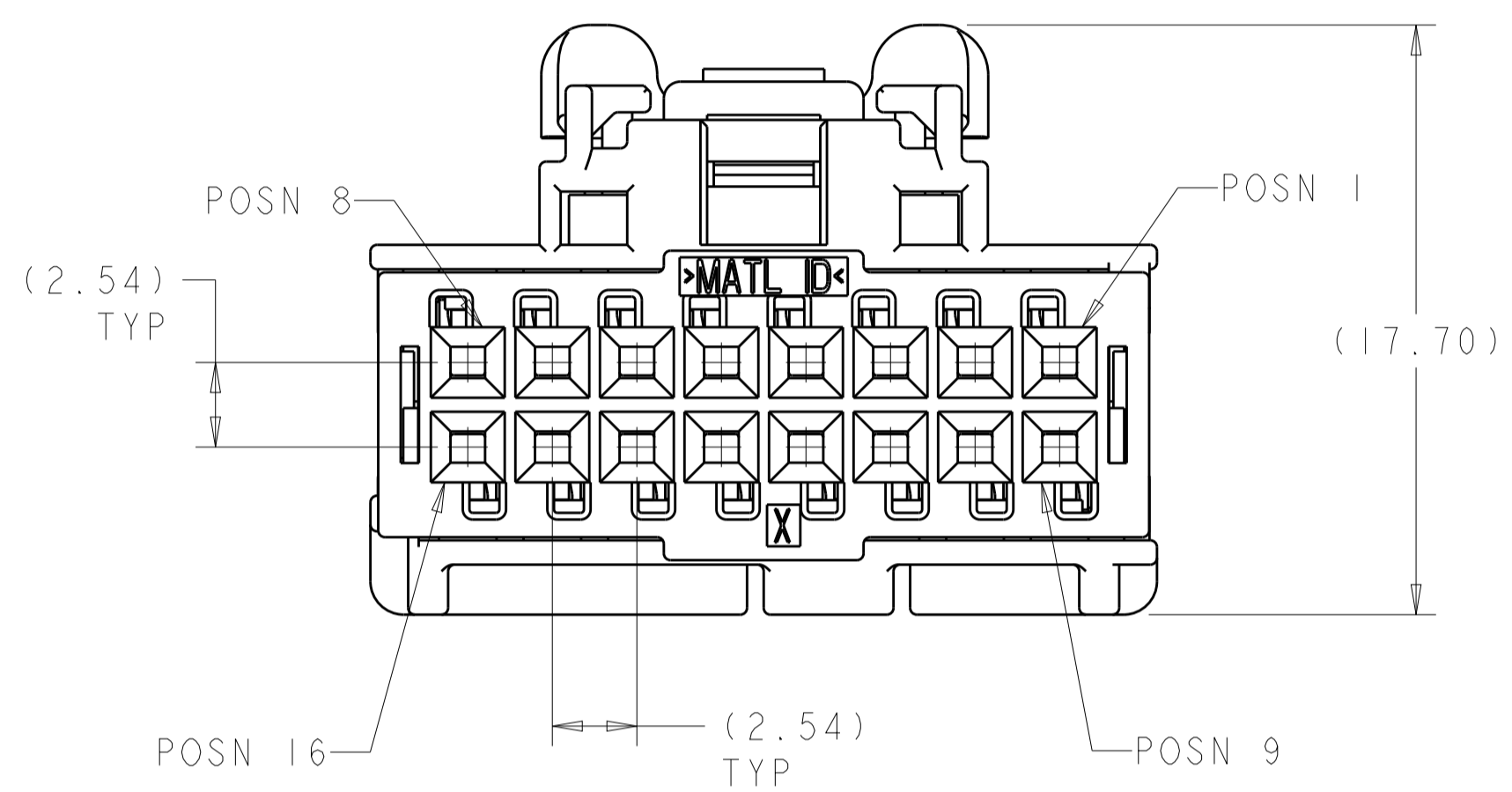
(1.95) (1.95) (3.90)

KEYING CODE "G"
SCALE 4:1



(3.90)

KEYING CODE "H"
SCALE 4:1

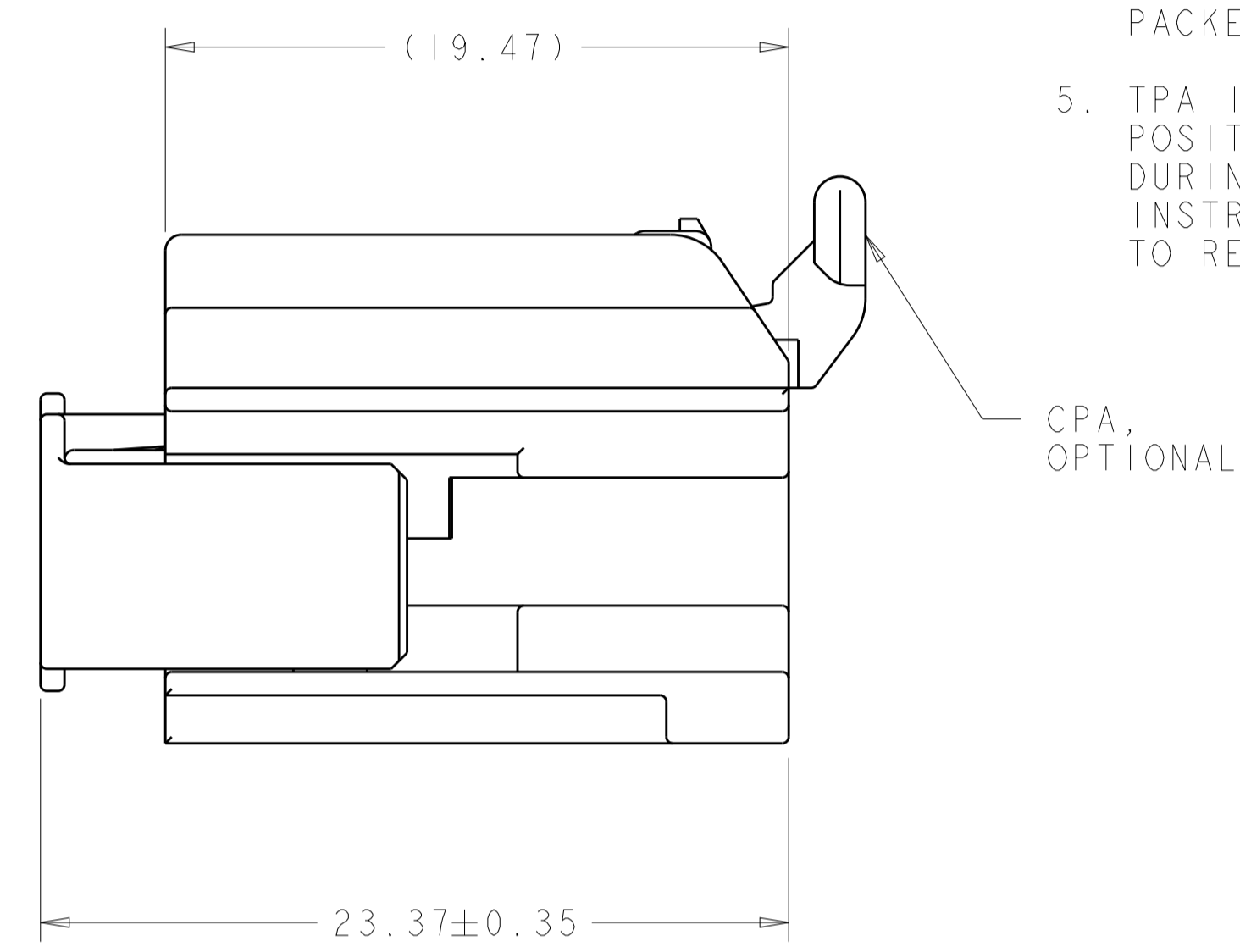


(17.70)

(2.54) TYP

(2.54) TYP

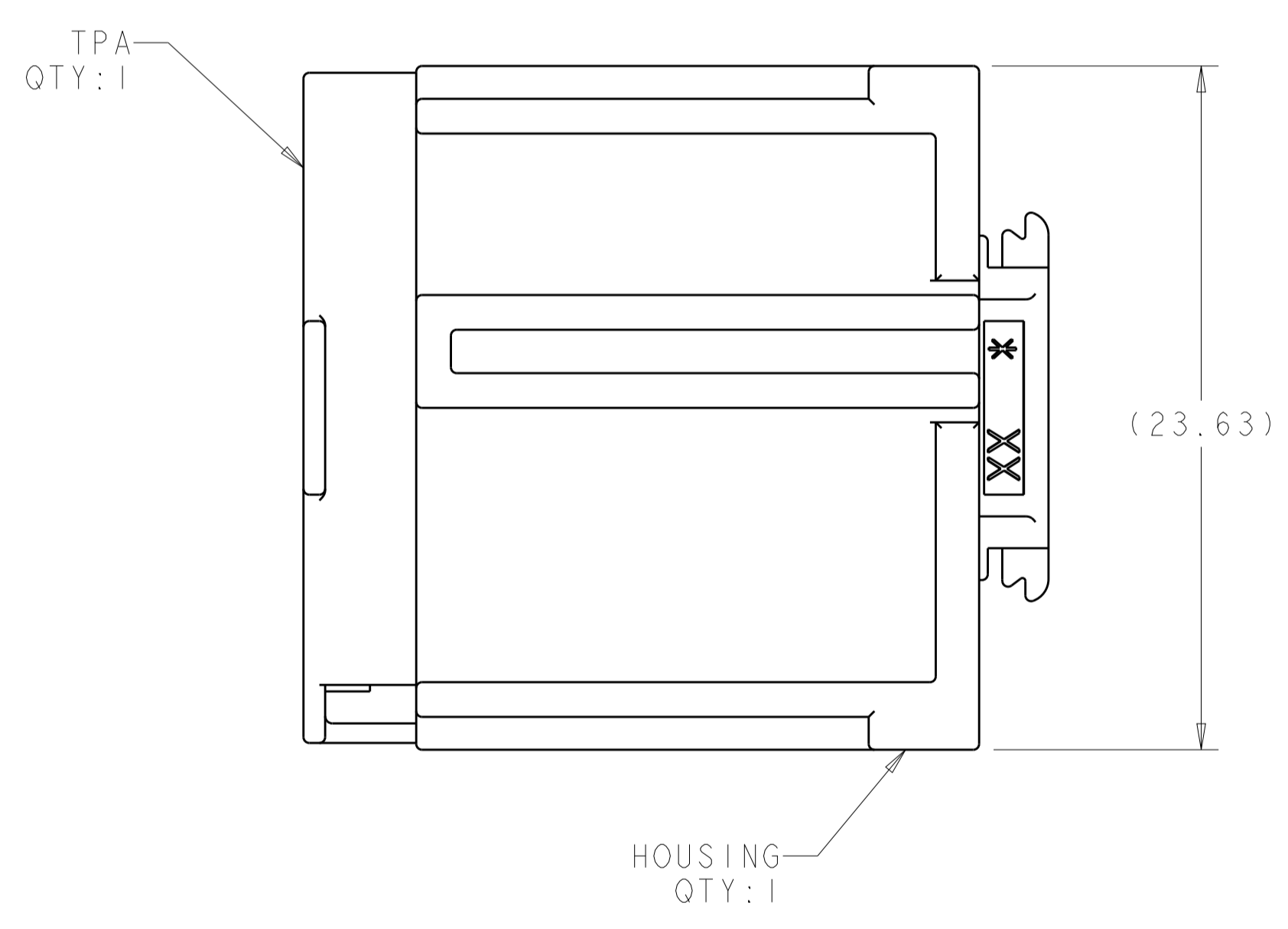
REF VIEW
SCALE 4:1



(19.47)

23.37±0.35

- △ MATERIAL:
 PLUG HOUSING: NYLON, COLOR - BLACK
 TPA: NYLON, COLOR - NATURAL
 CPA: PBT, COLOR - RED
2. TERMINAL SOLD SEPERATELY
 3. TPA SHOWN IN PRE-SEATED POSITION
 4. CONNECTOR ASSEMBLIES ARE BULK PACKED IN CARDBOARD BOXES
 5. TPA IS SHIPPED IN PRE-SEATED POSITION AND MAY BECOME SEATED DURING SHIPPING. REFER TO TE INSTRUCTION SHEET 408-10121 TO REPOSITION TPA



(23.63)

KEYING CODE	PART NUMBER
KEYING CODE "H"	1456867-8
KEYING CODE "G"	1456867-7
KEYING CODE "F"	1456867-6
KEYING CODE "E"	1456867-5
KEYING CODE "D"	1456867-4
KEYING CODE "C"	1456867-3

THIS DRAWING IS A CONTROLLED DOCUMENT.		OWN H. MOLL 13JUL2006	
DIMENSIONS: mm		CHK D. FRY 14JUL2006	
TOLERANCES UNLESS OTHERWISE SPECIFIED:		APVD D. FRY 14JUL2006	
0 PLC ± 1 PLC ± 2 PLC ± 3 PLC ± 4 PLC ± ANGLES ± FINISH ±		NAME PLUG ASSEMBLY, 2x8, UNSEALED, 0.64 GenY PRODUCT SPEC APPLICATION SPEC SIZE CAGE CODE DRAWING NO WEIGHT CUSTOMER DRAWING	
MATERIAL SEE CALL OUT		RESTRICTED TO	A 00779 C=1456867 SCALE 5:1 SHEET 1 OF 1 REV A2