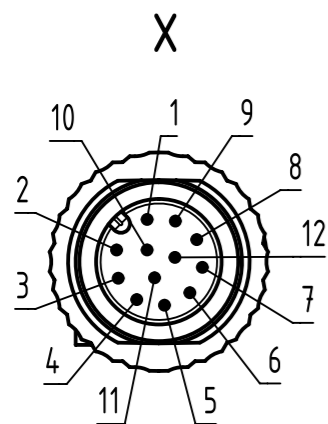
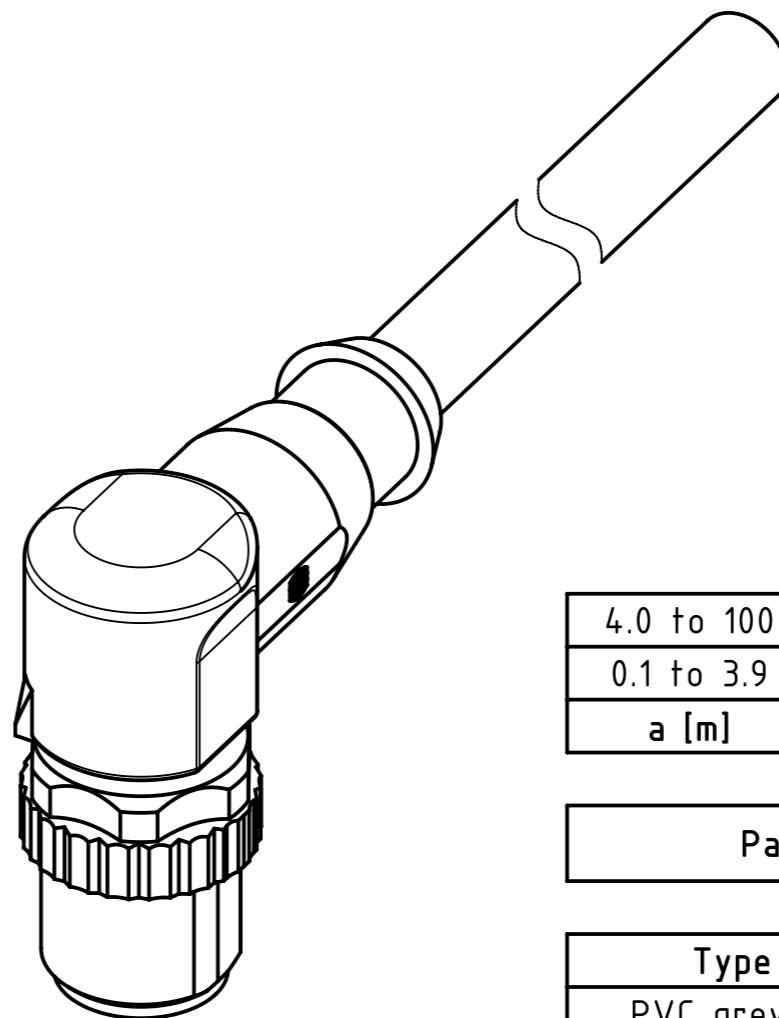


Loading-Plan:



- 1 brown
- 2 blue
- 3 white
- 4 green
- 5 pink
- 6 yellow
- 7 black
- 8 grey
- 9 red
- 10 violet
- 11 grey-pink
- 12 red-blue



4.0 to 100	+1%
0.1 to 3.9	+0.04
a [m]	Tolerance

length in "1m" step	100	XXX=000
	99	XXX=990
	.	.
	12	XXX=120
	11	XXX=110
	.	.
length in "0.1m" step	10	XXX=100
	9.9	XXX=099
	9.8	XXX=098
	.	.
	0.4	XXX=004
	0.3	XXX=003
.	.	.
0.2	XXX=002	
0.1	XXX=001	
Step	a [m]	XXX

Part no. 21348600CXXXXX

Type of cable XX
PVC grey, 12x0.14mm² XX=79

- Protection level: IP67
- Temperature range: -30°C ... +80°C

	All rights reserved		Created by TAMAS		Inspected by STOICA		Standardisation HOFFMANN		Date 2014-08-25		State Final Release	
	Department EC PD - RO		Title M12 A-coded Cable Assembly		Doc-Key / ECM-Nr. 100591285/UGD/009/A 50000079105		Rev. A		Page 1/1			
HARTING Electronics GmbH		D-32339 Espelkamp		Type TB		Number 21348600CXXXXX						

Mouser Electronics

Authorized Distributor

Click to View Pricing, Inventory, Delivery & Lifecycle Information:

HARTING:

[21348600C79050](#) [21348600C79010](#) [21348600C79005](#) [21348600C79020](#) [21348600C79100](#) [21348600C79075](#)
[21348600C79015](#)