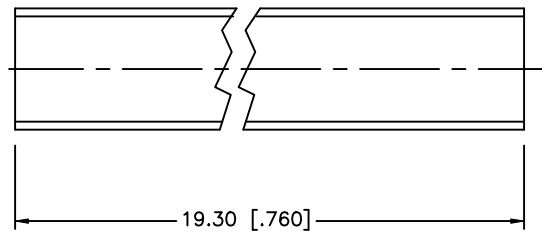
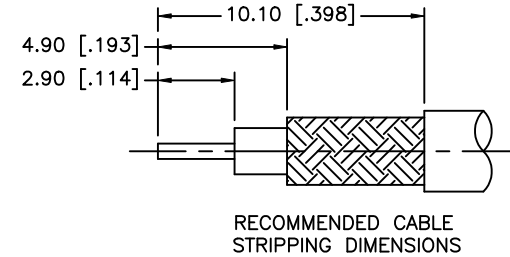
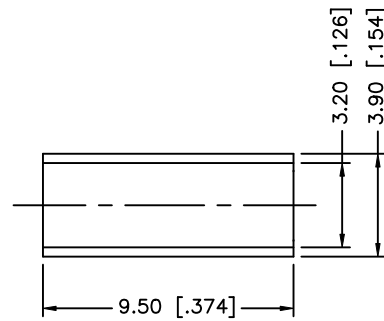
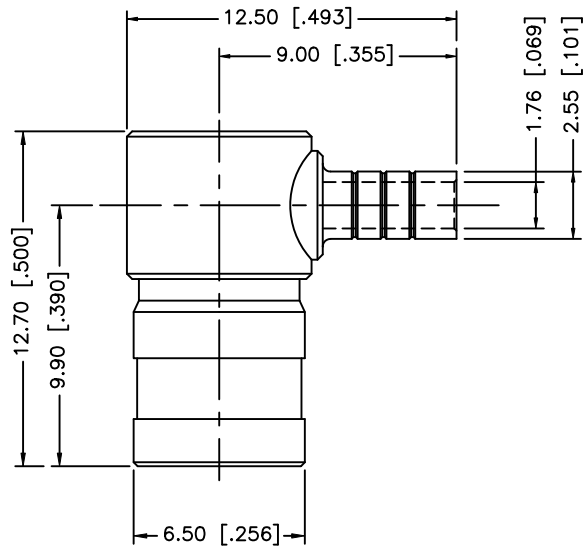
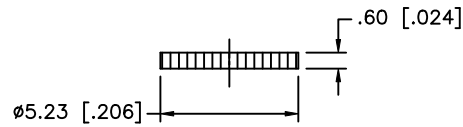


REV.	DATE	ECR NO.	DESCRIPTION
A	03/20/03	-	UPDATE PART DIMENSIONS / DRAWING FORMAT
B	05/08/07	-	REVISE BARREL, FERRULE DIMENSIONS
C	11/12/08	-	REVISE HOUSING, BODY, FERRULE, COVER PLATING TO GOLD



- NOTE:
1. CRIMPED FERRULE HEX CRIMP SIZE .128"
 2. CONTACT PIN TO SOLDER

QTY	FINISH	MATERIAL	DESCRIPTION
1	GOLD	DIE CAST	HOUSING
1	GOLD	BRASS	BODY
1	NATURAL	PTFE	INSULATOR
1	GOLD	BER. COPPER	CONTACT PIN
1	GOLD	COPPER	FERRULE
1	GOLD	BRASS	COVER
1			HEAT SHRINK TUBE
8			

APPROVALS	DATE
DRAWN GRS	11/12/08
CHECKED	
ISSUED	
SHEET 1 OF 1	
CAD FILE C:/142/142194.DWG	

UNLESS OTHERWISE SPECIFIED DIMENSIONS ARE IN MILLIMETERS. DIMENSIONS IN [] ARE IN INCHES AND FOR CUSTOMER REFERENCE ONLY.	
UNLESS OTHERWISE SPECIFIED TOLERANCES FOR MILLIMETERS ARE:	
0.5 - 8mm ± 0.20mm	
8 - 30mm ± 0.40mm	
30 - 120mm ± 0.50mm	
UNLESS OTHERWISE SPECIFIED TOLERANCES FOR INCHES ARE:	
.020 - .315 ± 0.007"	
.315 - 1.180 ± 0.015"	
1.180 - 4.724 ± 0.020"	
DO NOT SCALE DRAWING	

Amphenol Connex	
PART DESCRIPTION SMB R/A CRIMP PLUG (FOR RG-174/U, 188A/U, 316/U CABLE)	
PART NO. 142194	
DWG. NO.	142194.DWG
REV.	NC
SIZE	A
SCALE	NA

Mouser Electronics

Authorized Distributor

Click to View Pricing, Inventory, Delivery & Lifecycle Information:

[Amphenol:](#)

[142194](#)