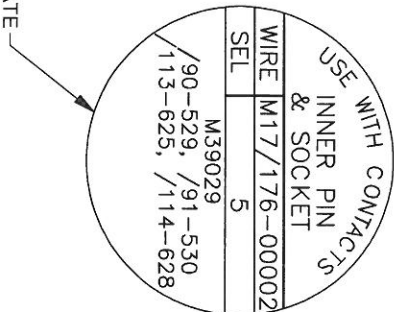
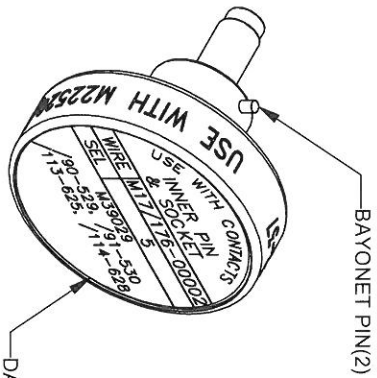
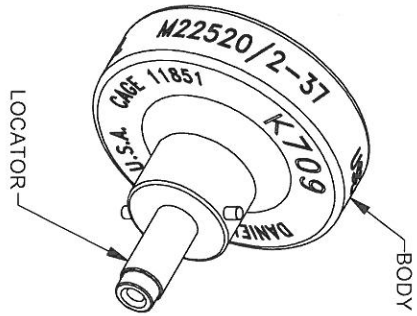


LOCATOR	
HOLE DIMENSIONS	ADDITIONAL FEATURES
∅.052	└┐∅.063
∇.090	∇.090



**UNCONTROLLED DOCUMENT
WILL NOT BE UPDATED**

DIMENSIONS IN INCHES - UNLESS OTHERWISE SPECIFIED

REV		ECO		REVISIONS	
NO.	DATE	NO.	DATE	DESCRIPTION	BY
2	11-22-99	1	11-22-99	REDDRAWN	RRR
3	06/06/13	2	11-12-00	DATAPLATE REVISED	RRR

RESTRICTED & CONFIDENTIAL		COMPENSATION, PROPERTY OF DANIELS MANUFACTURING CORP. NOT TO BE DISCLOSED TO OTHERS; REPRODUCED OR USED FOR ANY OTHER PURPOSES WITHOUT THE WRITTEN PERMISSION OF DANIELS MANUFACTURING CORP. ON COMPLETION OF ORDER WHICH IT IS	
CREATED FROM AN INVENTOR MODEL, CHANGES MUST BE REFLECTED IN THE 3D PART		DO NOT SCALE DRAWING	
MATERIAL	FINISH	HEAT TREAT	APPROVED
ITEM	PART No.	QTY.	DESCRIPTION/REMARKS
BRN	DUNG CAO	10-2-96	
CHKD	DE	10-2-96	
DATE	DATE	DATE	
NOTE: THIS DRAWING IS AN OUTLINE DRAWING OF THE RESPECTIVE DIM PART NUMBER. THE PART NUMBER IS DRAWING NUMBER WITH "-OUT" THE "-ENV" SUFFIX			
WHERE USED: AF18		TITLE: ENVELOPE DRAWING	
SIZE	SCALE	CAD FILE	SHEET OF
B	2.5X	K709-ENV	1 1
POSTING	PIN	K709-ENV	REV
			3

PMC
DANIELS MANUFACTURING CORP.
ORLANDO, FLORIDA
CAGE 11851

Mouser Electronics

Authorized Distributor

Click to View Pricing, Inventory, Delivery & Lifecycle Information:

[Daniels Manufacturing:](#)

[K709](#)