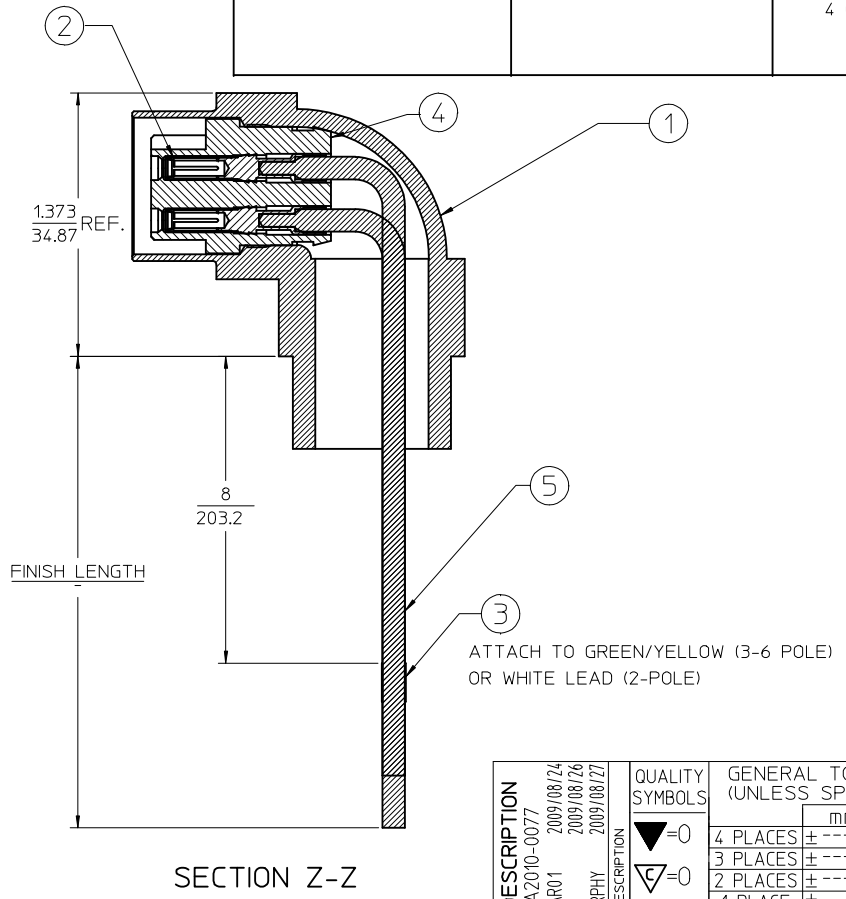
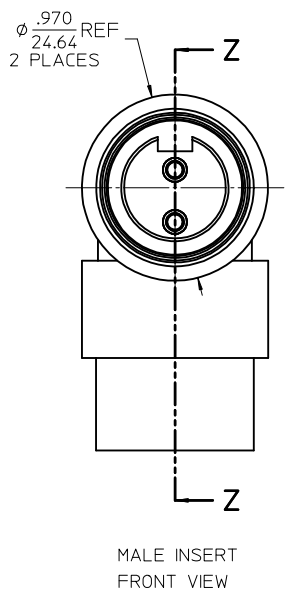
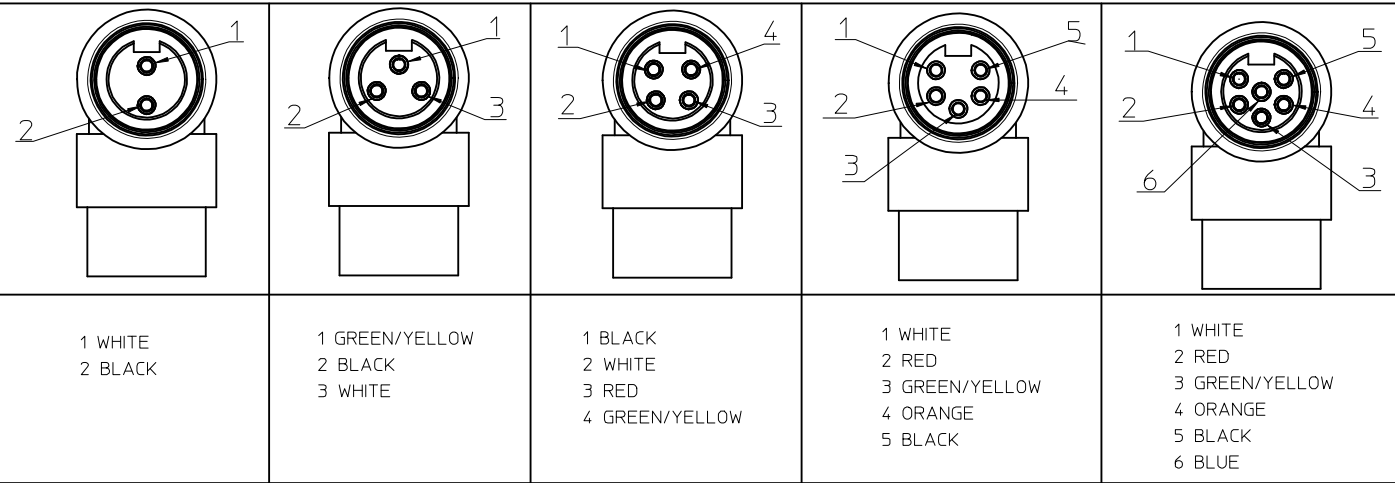


FACE VIEW - FEMALE INSERT

SCALE 1.5 : 1



FINAL ASSEMBLY
1300130074

ENTER DESCRIPTION EC NO: MNA2010-0077 DRWN: NKUMAR01 2009/08/24 CHKD: 2009/08/26 APPR: JFMURPHY 2009/08/27	QUALITY SYMBOLS ▽=0 ▽=0	GENERAL TOLERANCES (UNLESS SPECIFIED)		DIMENSION STYLE IN/MM	SCALE 2:1	DESIGN UNITS INCH	THIRD ANGLE PROJECTION	
		mm	INCH	DRAWN BY NKUMAR01	DATE 21/08/09	TITLE MC 2P FR 12IN. 90D 16/1 PVC		
		4 PLACES ± ---	± ---	CHECKED BY BWOODMAN	DATE 21/08/09			
		3 PLACES ± ---	± ---	APPROVED BY JFMURPHY	DATE 2009/08/26	MATERIAL NO. MOLEX INCORPORATED		
2 PLACES ± ---	± ---	ANGULAR ±1/2°		DOCUMENT NO. SD-130013-074		SHEET NO. 1 OF 2		
1 PLACE ± ---	± ---	DRAFT WHERE APPLICABLE MUST REMAIN WITHIN DIMENSIONS		SEE SHEET 2		THIS DRAWING CONTAINS INFORMATION THAT IS PROPRIETARY TO MOLEX INCORPORATED AND SHOULD NOT BE USED WITHOUT WRITTEN PERMISSION		

FEMALE 90° RECEPTACLE ASSEMBLY

SI. No.	DESCRIPTION	MATERIAL	FINISH	QUANTITY				
				2 POLE	3 POLE	4 POLE	5 POLE	6 POLE
1	MC RIGHT ANGEL SHELL 90DEG	ZINC DIECAST	BLACK E-COAT	1	1	1	1	1
2	SOCKET SLEEVE - TUBE	STAINLESS STEEL	PASSIVATED	2	3	4	5	6
3	LABEL	PLASTIC FILM	BLACK/YELLOW	1	1	1	1	1
	SOCKET CONTACT 16AWG	COPPER ALLOY	GOLD PLATED	2	3	4	5	6
4	2P MALE INSERT PVC A SIZE	PVC	YELLOW	1				
	3P MALE INSERT PVC A SIZE	PVC	YELLOW		1			
	4P MALE INSERT PVC A SIZE	PVC	YELLOW			1		
	5P MALE INSERT PVC A SIZE	PVC	YELLOW				1	
	6P MALE INSERT PVC A SIZE	PVC	YELLOW					1
5	#16-1 WHT PVC WIRE UL1015	PVC JACKET	WHITE	1	1	1	1	1
	#16-1 RED PVC WIRE UL1015	PVC JACKET	RED			1	1	1
	#16-1 ORN PVC WIRE UL1015	PVC JACKET	ORANGE				1	1
	#16-1 GRN/YEL PVC WIRE UL1015	PVC JACKET	GREEN/YELLOW		1	1	1	1
	#16-1 BLU PVC WIRE UL1015	PVC JACKET	BLUE					1
	#16-1 BLK PVC WIRE UL1015	PVC JACKET	BLACK	1	1	1	1	1

PART NUMBER	DESCRIPTION	FINISHED LENGTH
1300130074	1R2005A20A120	12.0" +.75" -0 [0.3M +19.1MM -0]
1300130184	1R3005A20A120	12.0" +.75" -0 [0.3M +19.1MM -0]
1300130337	1R4005A20A120	12.0" +.75" -0 [0.3M +19.1MM -0]
1300130482	1R5005A20A120	12.0" +.75" -0 [0.3M +19.1MM -0]
1300130589	1R6005A20A120	12.0" +.75" -0 [0.3M +19.1MM -0]

POLE COUNT	MAX. VOLTAGE RATING	MAX. CURRENT RATING
2 POLE	600 VOLTS	13 AMPS
3 POLE	600 VOLTS	13 AMPS
4 POLE	600 VOLTS	10 AMPS
5 POLE	600 VOLTS	8 AMPS
6 POLE	600 VOLTS	8 AMPS

ENTER DESCRIPTION EC NO: MNA2010-0077 DRW: NKUMAR01 2009/08/24 CHKD: 2009/08/26 APPR: JFMURPHY 2009/08/27 REV: A	QUALITY SYMBOLS ▽=0 ▽=0	GENERAL TOLERANCES (UNLESS SPECIFIED)		DIMENSION STYLE IN/MM		SCALE 2:1	DESIGN UNITS INCH	THIRD ANGLE PROJECTION
		4 PLACES ± --- ± ---	3 PLACES ± --- ± ---	DRAWN BY NKUMAR01	DATE 21/08/09	TITLE MC 2P FR 12IN. 90D 16/1 PVC		
		2 PLACES ± --- ± ---	1 PLACE ± --- ± ---	CHECKED BY BWOODMAN	DATE 21/08/09			
		ANGULAR ±1/2°		APPROVED BY JFMURPHY	DATE 2009/08/26			
		DRAFT WHERE APPLICABLE MUST REMAIN WITHIN DIMENSIONS		MATERIAL NO. SEE TABLE	DOCUMENT NO. SD-130013-074			
		SIZE C	THIS DRAWING CONTAINS INFORMATION THAT IS PROPRIETARY TO MOLEX INCORPORATED AND SHOULD NOT BE USED WITHOUT WRITTEN PERMISSION					

Mouser Electronics

Authorized Distributor

Click to View Pricing, Inventory, Delivery & Lifecycle Information:

[Molex:](#)

[1300130074](#)