

MFG. ENG.	APPROVED BY:	DATE:	QA	APPROVED BY:	DATE:
-----------	--------------	-------	----	--------------	-------

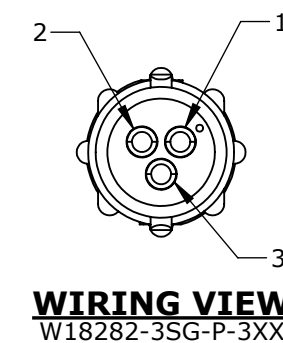
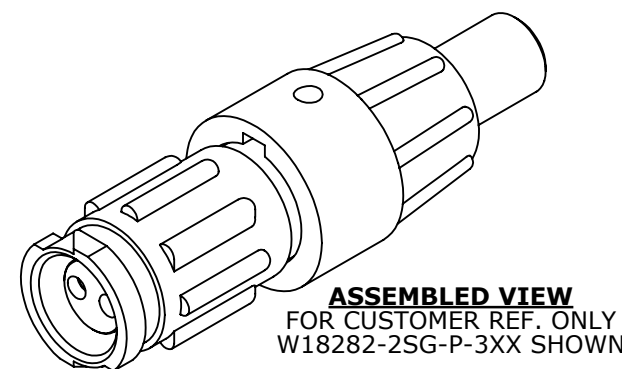
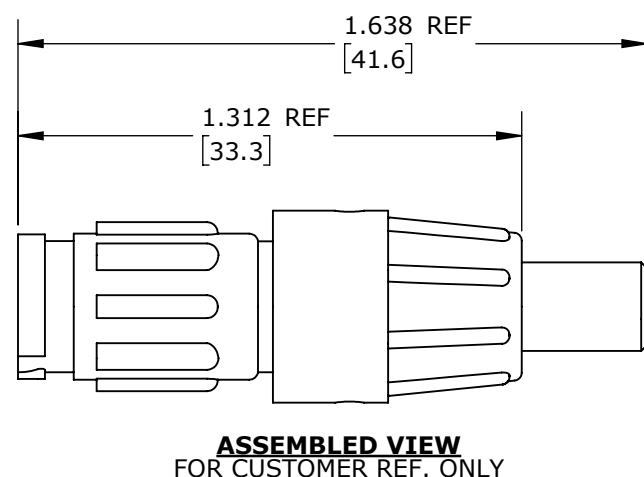
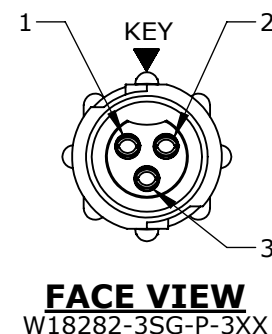
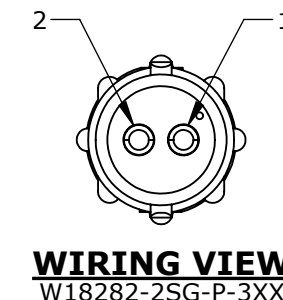
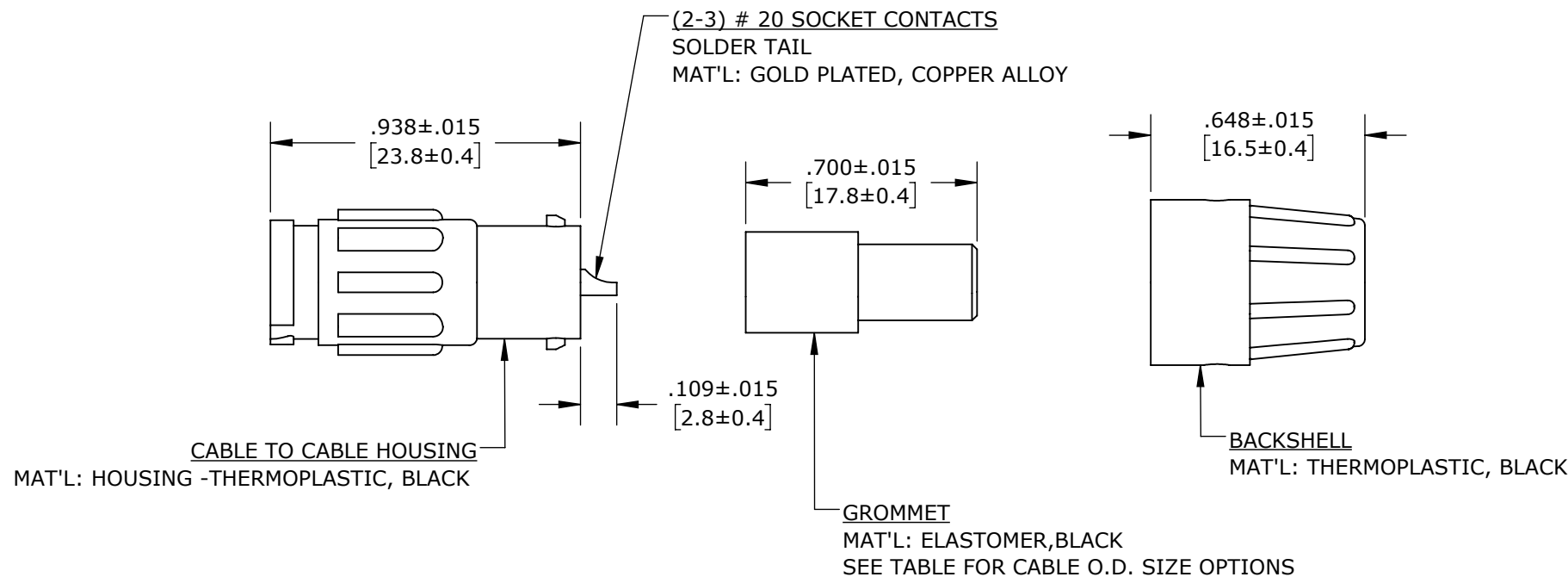
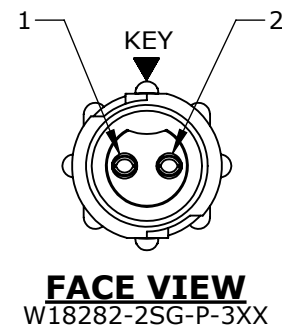
ASS'Y P/N	CONTACT QTY.	CABLE O.D. RANGE
W18282-2SG-P-311	2	0.09 - 0.14 [2.3 - 3.6]
W18282-2SG-P-315	2	0.15 - 0.17 [3.8 - 4.3]
W18282-2SG-P-318	2	0.18 - 0.20 [4.6 - 5.1]
W18282-3SG-P-311	3	0.09 - 0.14 [2.3 - 3.6]
W18282-3SG-P-315	3	0.15 - 0.17 [3.8 - 4.3]
W18282-3SG-P-318	3	0.18 - 0.20 [4.6 - 5.1]
W18282-XSG-P-3XX		

NOTES:

1. ALL PARTS ARE BULK PACKED.
2. REFER TO DRAWING HPMCSTD FOR CONTACT PATTERNS.
3. ALL DIMENSIONS ARE REFERENCE ONLY IN INCHES [mm], WITHIN ±0.015 UNLESS OTHERWISE NOTED.

OF CONTACTS

GROMMET SIZE = CABLE O.D. RANGE:
 311 = 0.09 - 0.14 [2.3 - 3.6]
 315 = 0.15 - 0.17 [3.8 - 4.3]
 318 = 0.18 - 0.20 [4.6 - 5.1]



CUSTOMER PRINT

PART NUMBER: W18282-XSG-P-3XX

CUSTOMER APPROVAL

THIS DOCUMENT CONTAINS CONFIDENTIAL INFORMATION PROPRIETARY TO CONXALL CORPORATION. ANY REPRODUCTION, DISCLOSURE, OR USE OF THIS DOCUMENT /INFORMATION IS EXPRESSLY PROHIBITED UNLESS AUTHORIZED IN WRITING BY CONXALL CORPORATION.

APPROVED BY: _____
 DATE: _____

RoHS COMPLIANT

PRELIMINARY

DIMENSIONS IS BRACKETS [] ARE METRIC

0A	JGK	8/22/19	DRAWING CREATED FOR PDR #18004.		
REV.	INIT.	DATE	DESCRIPTION		
	JGK	8/22/19	ALL INFORMATION ILLUSTRATED IS THE PROPERTY OF "CONXALL CORPORATION." UNAUTHORIZED DUPLICATION OR DISTRIBUTION OF THIS DOCUMENT IS PROHIBITED. ALL UNITS ARE IN FEET, INCHES, FRACTION OF INCHES AND DECIMALS. UNLESS OTHERWISE SPECIFIED TOLERANCES: 3 PLACE DECIMALS ±.005 ANGLES ±1° FRACTIONS ±1/16 ▽ = CRITICAL CHARACTERISTIC FLAG PER SPEC. XXXX		
APPROVED BY:			 601 E. WILDWOOD VILLA PARK, IL 60181		
CHECKED BY:			TITLE: CABLE TO CABLE CONN. ASS'Y (2-3) #20 SOCKET CONTACTS, SOLDER INSTA-CLICK, MICRO-CON-X STANDARD PRODUCT		
SCALE: NTS			SIZE: B	SHEET: 1 OF 1	
FILE: W18282-XSG-P-3XX			DIRECTORY: SLW	PART NUMBER: W18282-XSG-P-3XX	REV: 0A

Mouser Electronics

Authorized Distributor

Click to View Pricing, Inventory, Delivery & Lifecycle Information:

Switchcraft:

[W18282-3SG-P-315](#) [W18282-3SG-P-311](#) [W18282-2SG-P-318](#) [W18282-2SG-P-311](#) [W18282-2SG-P-315](#) [W18282-3SG-P-318](#)