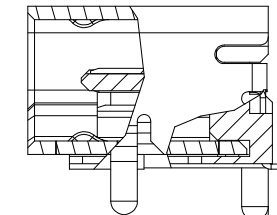
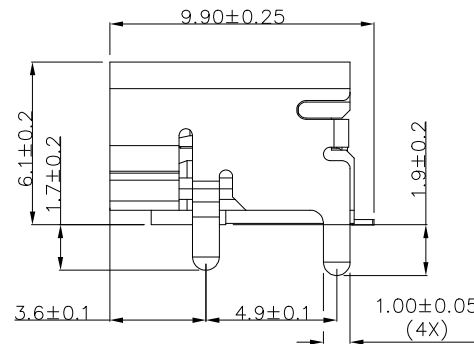
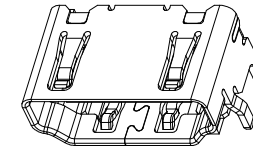
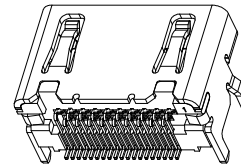
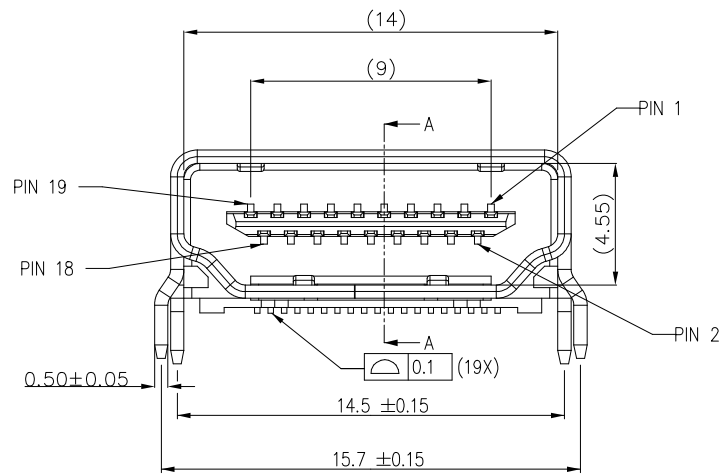
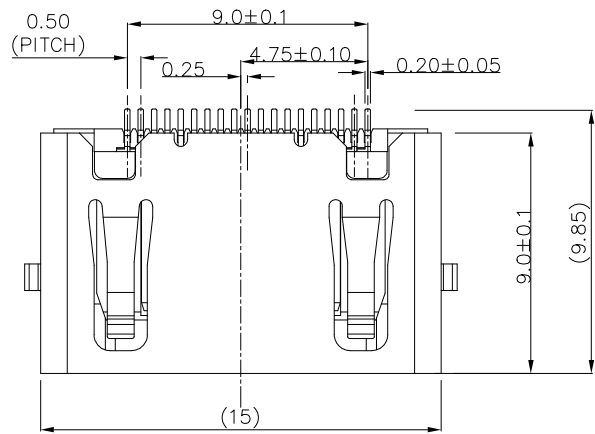


PRODUCT NUMBER

10029449-X01XLF



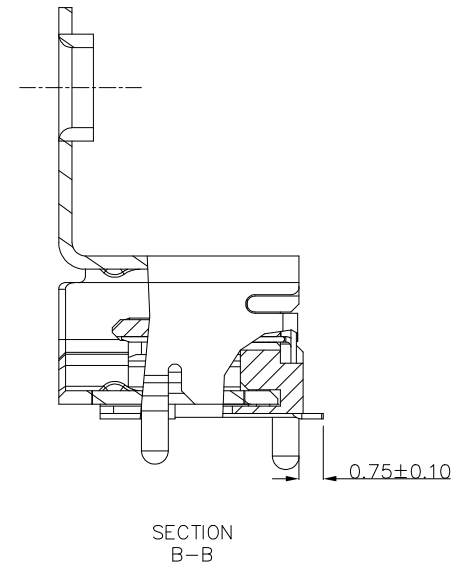
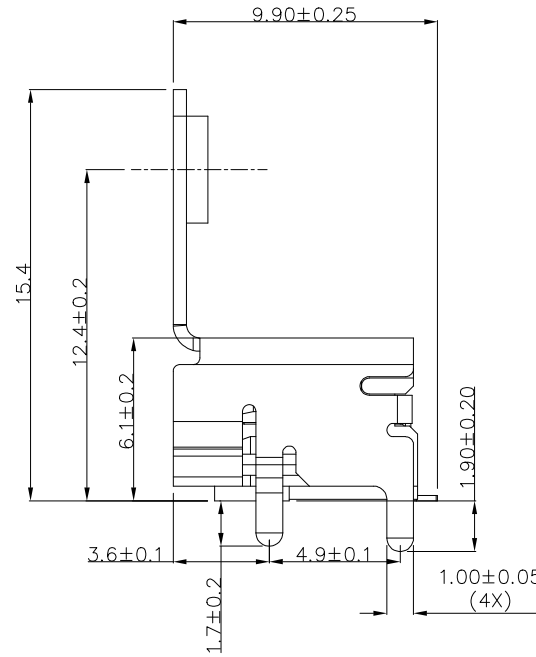
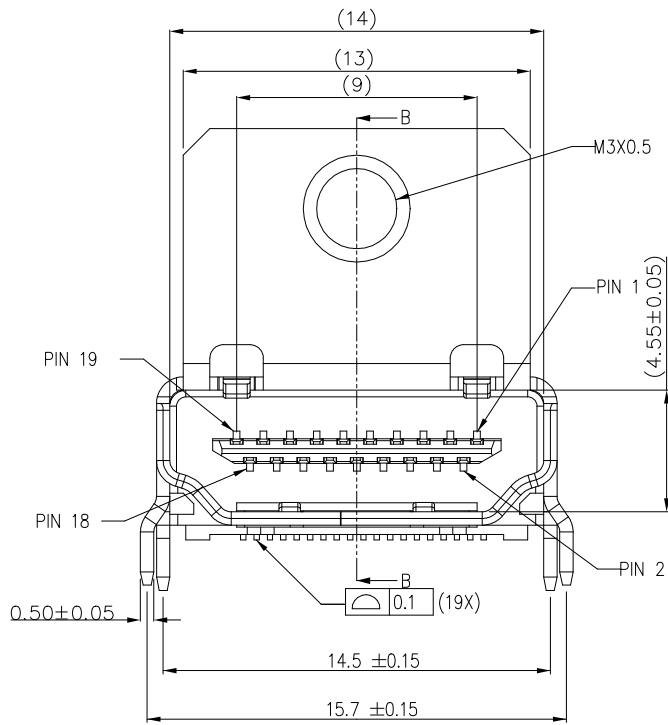
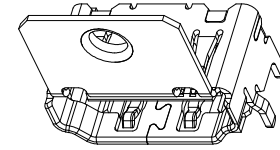
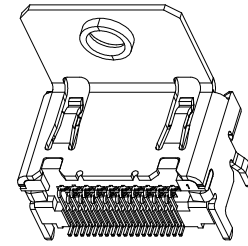
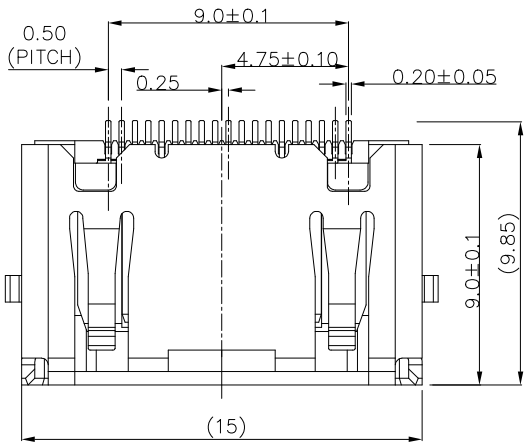
SECTION A-A

Amphenol FCI

© 2016 AFCI

mat'l. code		surface ISO 1302 ✓		tolerance ISO 406 ISO 1101		projection 1101		product family HDMI			
ltr	ecn no	dr	date	tolerances unless otherwise specified		mm		title			
W	ELX-N-34628	Jason	2019-08-27	angles	.X±.3	→ mm ←		HDMI TYPE A RECEPTACLE			
X	ELX-N-38366	Jason	2020-09-16	linear	.XX±.15						
Y	ELX-N-46981	TY	2022-01-11	0°±x'	.XXX±.05	scale 4:1		dwg no			
		dr	TONY LENG	2017-05-22		Amphenol FCI		sheet 1 of 5			
		enr	TY.Tang	2023-01-11				10029449		size A3	
		chr	-	-				Product Customer Drawing			
		appd	TIM YAO	2020-09-16							
sheet index	revision sheet	Y	1								

PRODUCT NUMBER
10029449-002XLF



mat'l. code		surface	tolerance	projection	product family
		ISO 1302 ✓	ISO 406 ISO 1101		HDMI
ltr	ecn no	dr	date	tolerances unless otherwise specified	title
				linear	HDMI TYPE A RECEPTACLE
				angles	mm
				0°±x'	scale 4:1
		dr	TONY LENG	2017-05-22	dwg no
		engr	TY.Tang	2023-01-11	sheet 2 of 5
		chr	-	-	size
		appd	TIM YAO	2020-09-16	A3
sheet index		revision	Y		type
		sheet	2		Product Customer Drawing

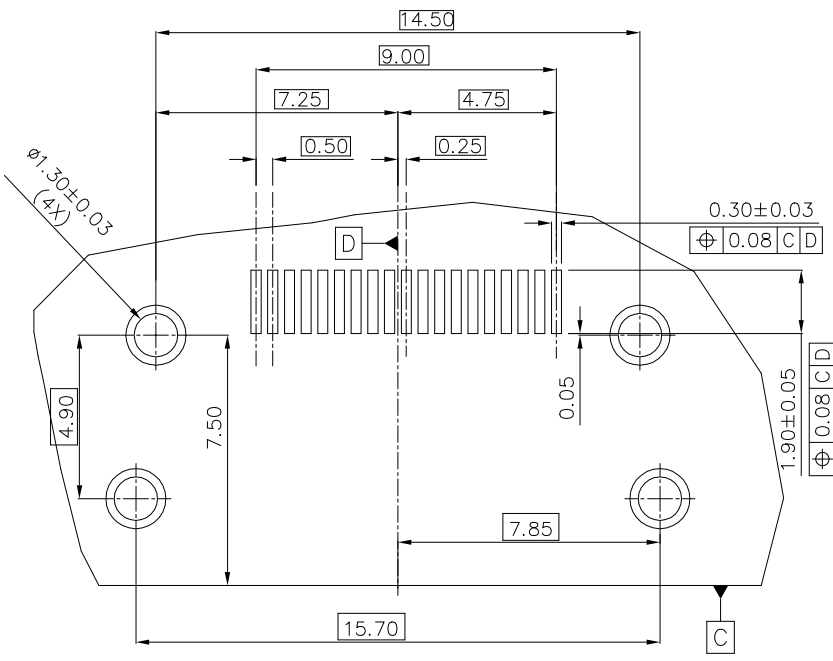
Amphenol
FCI

© 2016 AFCI



PRODUCT NO.	CONTACT AREA PLATING	SHIELD FIGURE	PACKING
10029449-001TLF	30u" GXT MINIMUM	WITHOUT FLANGE	TRAY
10029449-001RLF	30u" GXT MINIMUM	WITHOUT FLANGE	TAPE AND REEL
10029449-101TLF	GOLD FLASH 3u" MIN	WITHOUT FLANGE	TRAY
10029449-101RLF	GOLD FLASH 3u" MIN	WITHOUT FLANGE	TAPE AND REEL
10029449-002TLF	30u" GXT MINIMUM	WITH FLANGE	TRAY
10029449-002RLF	30u" GXT MINIMUM	WITH FLANGE	TAPE AND REEL
10029449-002FLF	GOLD FLASH 3u" MIN	WITH FLANGE	TAPE AND REEL

NOTE:
1.MATERIAL:
1-1 HOUSING: GLASS FIBER HIGH-TEMP. RESIN.(UL94V-0)
1-2 CONTACT: BRASS
1-3 SHELL: STEEL
2.FINISH
2-1 CONTACT: Ni UNDER PLATED ALL OVER 50u" MIN
CONTACT AREA SEE TABLE
2-2 SHELL: Ni 100u" MIN
3.PACKAGING:
PACKAGING SPECIFICATION GS-14-939
4.PRODUCT SPEC:
PRODUCT SPECIFICATION GS-12-309
5.RoHS STANDARD SPECIFICATION ACCORDING TO FCI GS-22-008
6.PARTS MEET REFLOW APPLICATION PEAK TEM. 260°C, 10 SECONDS MAX.



RECOMMENDED PCB PATTERN LAYOUT
(t=1.6mm)

mat'l. code		surface	tolerance	projection	product family
		ISO 1302 ✓	ISO 406 ISO 1101		HDMI
ltr	ecn no	dr	date	tolerances unless otherwise specified	title
				linear	HDMI TYPE A RECEPTACLE
				angles	
				0°±x'	mm
				.X±.3	scale 4:1
				.XX±.15	
				.XXX±.05	
		dr	TONY LENG	2017-05-22	dwg no
		engr	TY.Tang	2023-01-11	sheet 3 of 5
		chr	-	-	size
		appd	TIM YAO	2020-09-22	A3
					type Product Customer Drawing
sheet	revision	Y			
index	sheet	3			

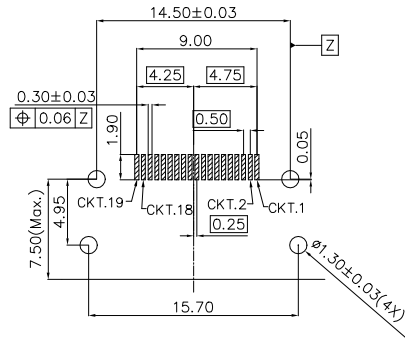
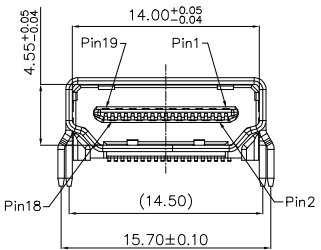
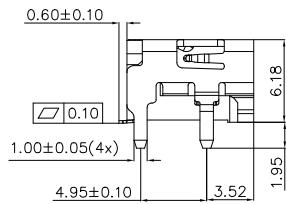
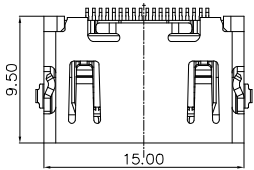
Amphenol FCI

© 2016 AFCI

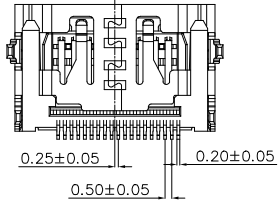


PRODUCT NO.	CONTACT AREA PLATING	SHIELD FIGURE	DIM "A"	PACKING
10029449-111RLF	GOLD FLASH 3u" MIN	WITHOUT FLANGE	1.95±0.20	TAPE AND REEL
10029449-111FLF	GOLD FLASH 3u" MIN	WITHOUT FLANGE	1.95±0.20	TAPE AND REEL, OPPOSITE DIRECTION
10029449-113RLF	GOLD FLASH 3u" MIN	WITHOUT FLANGE	0.90±0.20	TAPE AND REEL

NOTE:
 1.MATERIAL:
 HOUSING: HIGH TEMP.THERMOPLASTIC, UL 94V-0
 COLOR: BLACK.
 CONTACT: PHOSPHOR BRONZE
 SHIELD: BRASS
 2.FINISH:
 SEE NOTES.
 3.TERMINAL RETENTION FORCE TO BE 0.3kgf MIN.
 4.TERMINAL CUT-OFF BURR TO BE 0.05MAX.



Recommended PCB Layout Connector Side
 (General Tolerance: ±0.05)



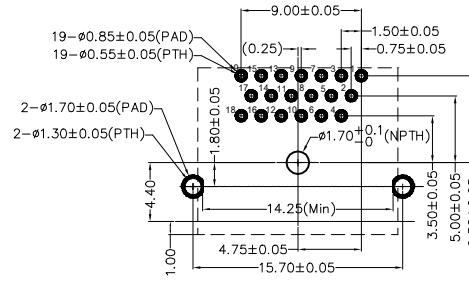
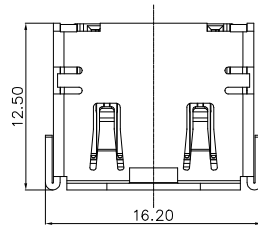
mat'l. code		surface ISO 1302 ✓		tolerance ISO 406 ISO 1101		projection		product family	
ltr		ecn no		dr		date		HDMI	
X		ELX-N-38366		Jason		2020/9/16		title	
								HDMI TYPE A RECEPTACLE	
								tolerances unless otherwise specified	
								mm	
								scale 2:1	
								dr TONY LENG 2017-05-22	
								engr TY.Tang 2023-01-11	
								chr - -	
								appd TIM YAO 2020-09-16	
sheet		revision		Y				Amphenol FCI	
index		sheet		4				dwg no sheet 4 of 5 size	
								10029449 A3	
								type Product Customer Drawing	

Amphenol FCI

© 2016 AFCI

D

PRODUCT NO.	CONTACT AREA PLATING	SHIELD FIGURE	PACKAGING
10029449-112TLF	GOLD FLASH 3u" MIN	WITH FLANGE	TRAY
10029449-112RLF	GOLD FLASH 3u" MIN	WITH FLANGE	TAPE AND REEL



RECOMMENDED PCB LAYOUT($t=1.60\pm 0.15$)
COMPONENT SIDE

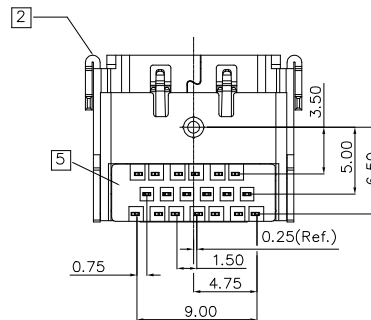
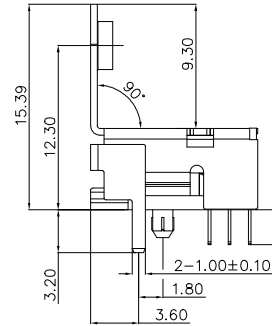
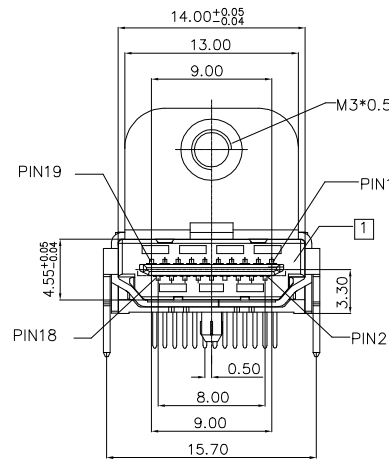
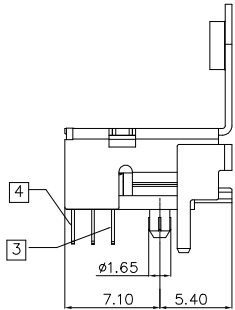
NOTE:

1.MECHANICAL CHARACTERISTICS

- INSERTION FORCE: 44.1N MAX
- WITHDRAWAL FORCE: 9.8N MIN, 39.2N MAX
- MATING CYCLE:10000 CYCLES
- CONTACT PULL OUT FORCE: 1.96N/PIN MIN

2.ELECTRICAL CHARACTERISTICS

- RATING CURRENT: 0.5A
- RATING VOLTAGE: 40V
- CONTACT RESISTANCE: 10 MILLOHMS OHMS MAX (EXCLUDING CONDUCTOR RESISTANCE)
- INSULATION RESISTANCE:
 - a, UNMATED: 100M OHMS MIN AT 500 VDC
 - b, MATED: 10M OHMS MIN AT 150 VDC
- DIELECTRIC WITHSTANDING VOLTAGE: 300V AC/1MINUTE
- OPERATING TEMPERATURE: -20°C--+85°C
- STORAGE TEMPERATURE: -20°C--+65°C



mat'l. code	surface	tolerance	projection	product family
	ISO 1302 ✓	ISO 406 ISO 1101		HDMI
ltr	ecn no	dr	date	title
				HDMI TYPE A RECEPTACLE
	angles	linear	mm	scale 2:1
	0°±x'	.X±.3		
		.XX±.15		
		.XXX±.05		
dr	TONY LENG	2017-05-22		dwg no
engr	TY.Tang	2023-01-11		sheet 5 of 5
chr	-	-		size
appd	TIM YAO	2020-09-16		A3
				type Product Customer Drawing

sheet	revision	Y																		
index	sheet	5																		

Amphenol FCI
 © 2016 AFCI
 D