

TECHNICAL CHARACTERISTICS :

Compensating washer: steel , tin plated .

Nuts : steel , tin plated .

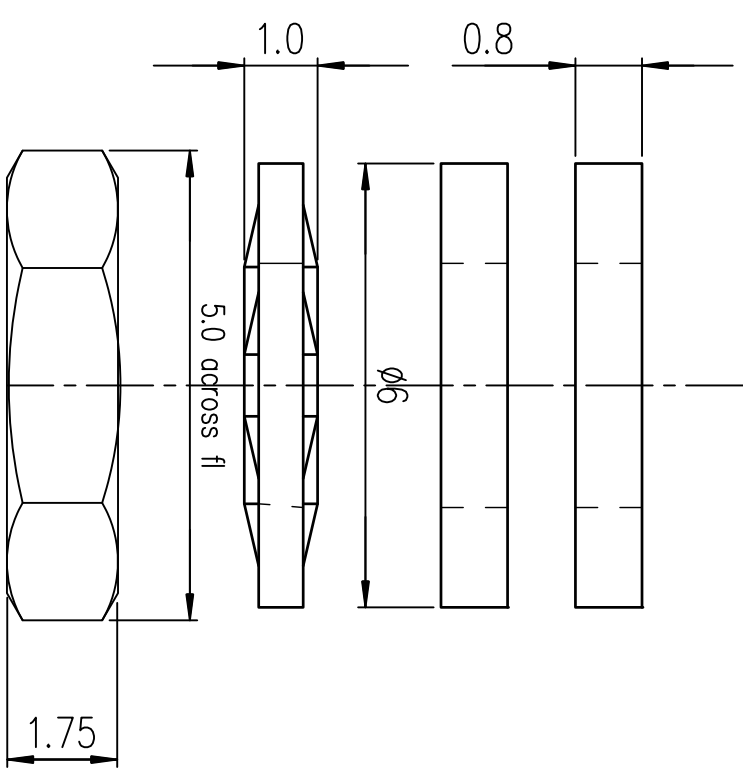
Packaging : per 100 pieces .

Corrosion resistance : 24 hours exposure to salt spray .

PART NUMBER	Material female screw locks
863001017TLF	Brass,tin plated
86552154TLF	Steel,tin plated

NOTE:RoHS INFORMATIONS

- The "LF" products meet European union Directives and other country regulations as described in GS-22-008.
- Plating Sn (pure bright ) over copper
- Packaging spec: see GS-14-920



rev	ecn no	dr	date
B	-	JOU	2003/01/17
C	LS05-0026	MPE	2005/07/08
D	LS06-0097	LGO	2006/07/28
E	LS09-0006	PCR	2009/01/08
F	LS09-0063	PCR	2009/03/25
G	I11-0022	AMR	2011/01/25

www.fciconnect.com		surface	ISO 1302	tolerance std	ISO 406 ISO 1101	projection	mm
Dr JOUBERT		TOLERANCES UNLESS OTHERWISE SPECIFIED		±0.1		⊕	Scale 10
Eng PESSON	2002/03/12	ANGULAR	0.X	±0.1	A3	ECN	I11-0022
Chr ABHILASH	2011/01/25	LINEAR	0.XX	±0.1	Product family	Spec ref	-
Appr SUDHIR	2011/01/25	0.XXX	±2	±0.1	D-SUB		
FCI		FEMALE SCREW LOCKS		CUSTOMER		sheet 1 of 1	
D SUB ACCESSORIES		catalog no		C01-8655-1557		Rev. G	

European Views