

Datasheet

RS Pro Adjustable 2500Btu/h 991L/min Pneumatic Cold Air Gun

RS Stock No: **445-3054**



Product Details

RS Pro pneumatic cold air gun reduce the temperature of compressed air passing through them by approximately 34°C. This adjustable air gun has a cooling capacity of up to 2500 BTU/h and maximum flow rate of 991L/min. The air gun features stainless steel construction. It includes control to regulate the amount of inlet air produced as cold, 2 integral silencers, magnetic base, 4 cold fraction generators and directional hose.

Features and Benefits

- 991L/min maximum flow rate
- 2500Btu/h maximum cooling capacity
- Steel construction



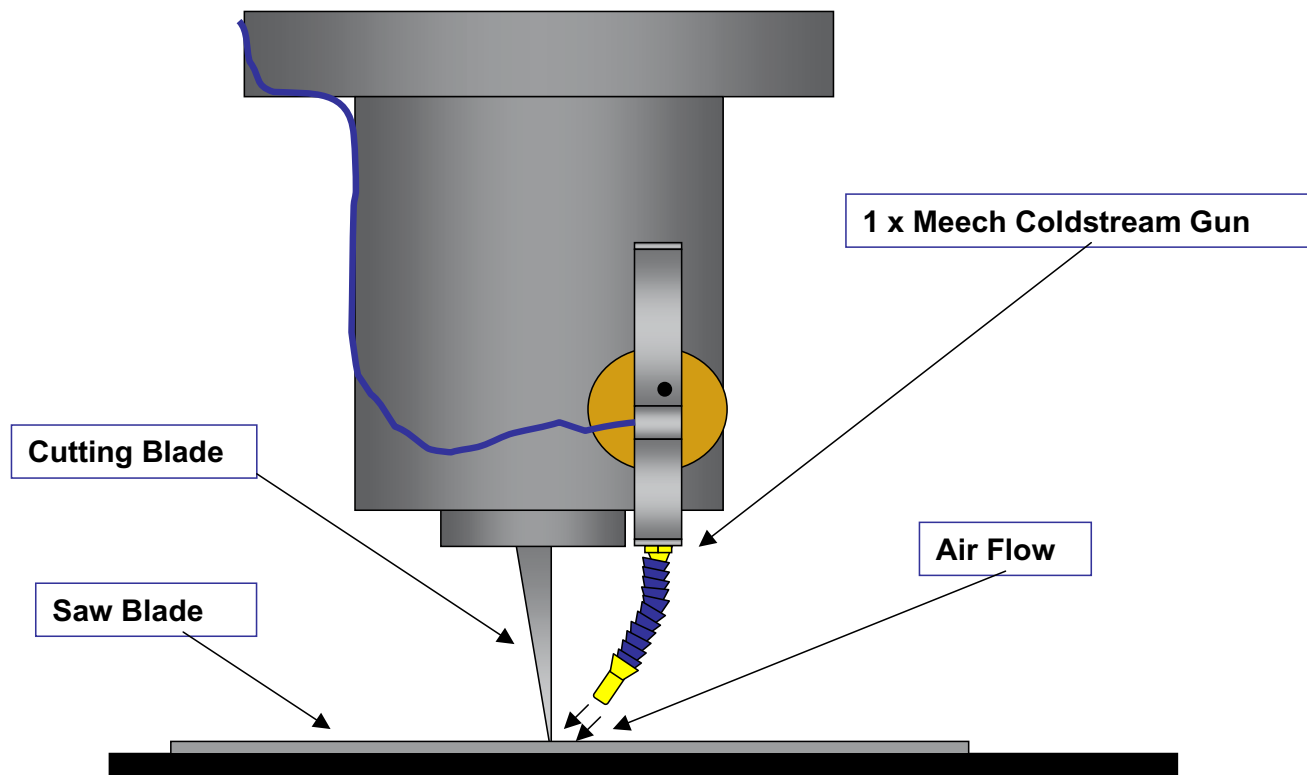
ENGLISH

Specifications:

Maximum Cooling Capacity	2500 Btu/h
Maximum Flow Rate	991 L/min
Type	Adjustable
Application	Spot Cooling, Routing Head Cooling, Weld Cooling
Diameter	43 mm
Length	355 mm
Material	Stainless Steel (Construction)

Application/ Problem

Coldstream Guns are predominantly used to cool specific areas and processes. This can include cutting, grinding, milling and drilling. Coldstream Air Guns could be used in practically any process where there may be a build up of heat.

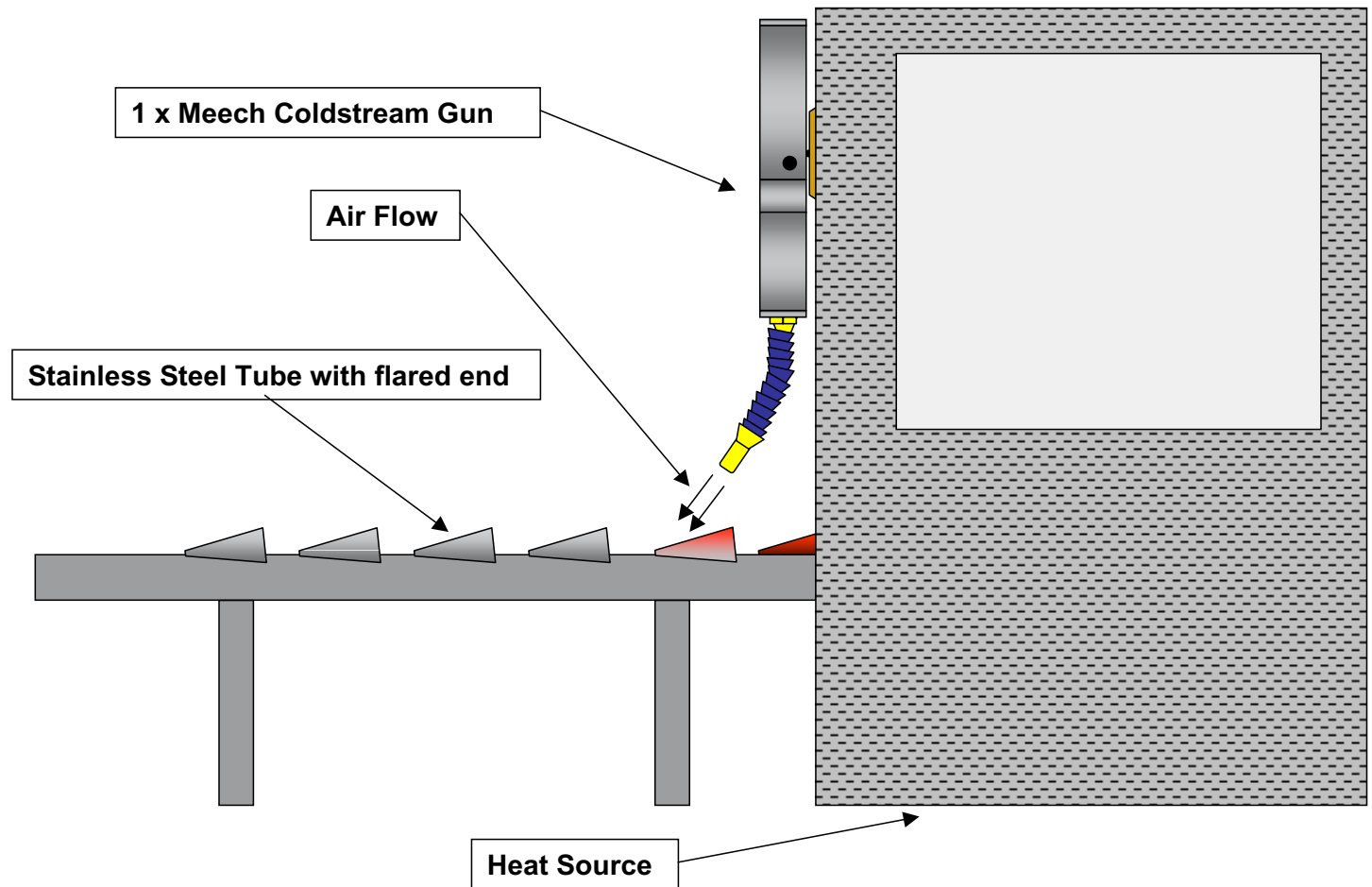


Example/Solution

High temperatures can be generated when cutting saw blades. This can result in reduction in the lifespan of the cutting tool; the heat will make the tool prone to fracturing resulting in more down time and expense for new tools. Other issues arising included high rejection rates and low quality finished product (Sparks caused by the heat can leave burn marks around the saw blade). A Coldstream Air Gun will provide enough cold air to cool the blade significantly enough to prevent fracturing, snapping or burning.

Application/ Problem

Coldstream Air Guns can be used to rapidly cool components. The size and simple magnetic base makes installation very easy.



Example/Solution

A scientific instrument manufacturer is assembling a stainless steel tube and plastic parts. The tube end is flared using heat; the flared end must be cooled quickly to avoid melting the plastic parts. A Coldstream Gun has provided the solution.