

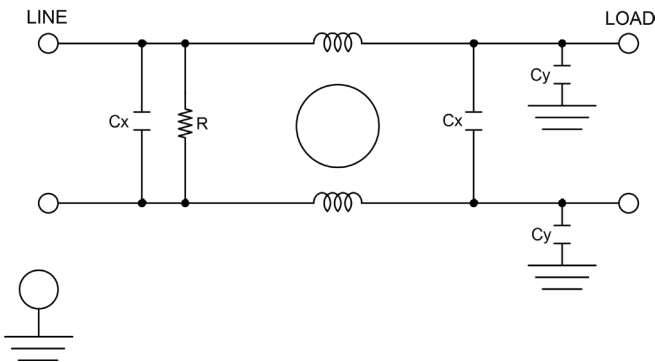
RP180

IEC INLET SINGLE STAGE POWER LINE FILTERS

FEATURES

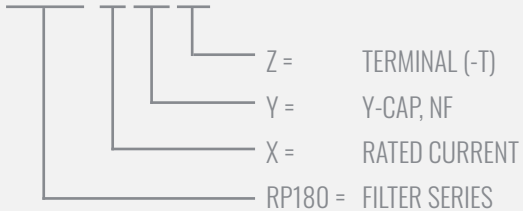
- » **Rated currents** include **15A** and **20A**
- » Single Stage Line Filter
- » Available with **QD** tabs or **W** (wireleads) options
- » High Performance
- » Agency Approved to UL1283/60929, CSA C22.2, EN 60939
- » Y-cap value can be adjusted to fit specifications

ELECTRICAL SCHEMATIC



HOW TO ORDER

RP180-X-Y-Z



NOTE: USE ANY COMBINATION OF -X (AMPS) WITH ANY -Y RATINGS
E.G. **RP180-15-.47-QD** (15AMPS WITH .47 NF YCAP)

For **X**, **Y** and **Z** options see product specification table.



SPECIFICATIONS

| | |
|------------------------|------------------------------|
| OPERATING FREQUENCY | 50/60Hz |
| IEC INLET | C14 |
| MAX. OPERATING VOLTAGE | 250V +10% |
| AMBIENT TEMPERATURE | -25 TO 40°C |
| CLIMATIC CATEGORY | 25/100/21 |
| PLASTIC MTG FORCE | 18 LBS. |
| TERMINALS (-T) | QD: 0.25" TABS WIRE LEADS |

TYP. WEIGHT, LBS (KG) 0.2 (0.1)

TYPICAL LEAKAGE CURRENT

| | |
|-----------------|-----------------|
| @ 250 VAC 50 Hz | 0 - 0.8 mA Max. |
| @ 120 VAC 60 Hz | 0 - 0.4 mA Max. |

HIPOT RATINGS

| | |
|----------------|----------|
| LINE TO GROUND | 2121 VDC |
|----------------|----------|

TYPICAL APPLICATIONS

- ✓ Electronic Equipment
- ✓ Household Appliances
- ✓ Power Supplies
- ✓ Medical Equipment
- ✓ Fitness Systems
- ✓ Industrial Equipment

RP180

IEC INLET SINGLE STAGE POWER LINE FILTERS

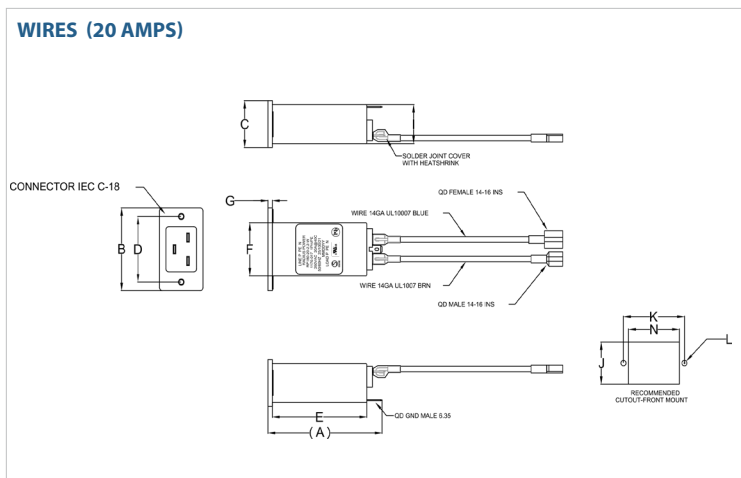
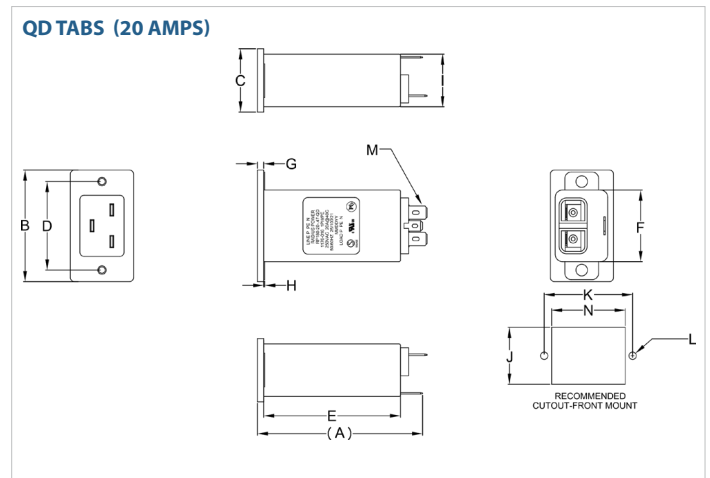
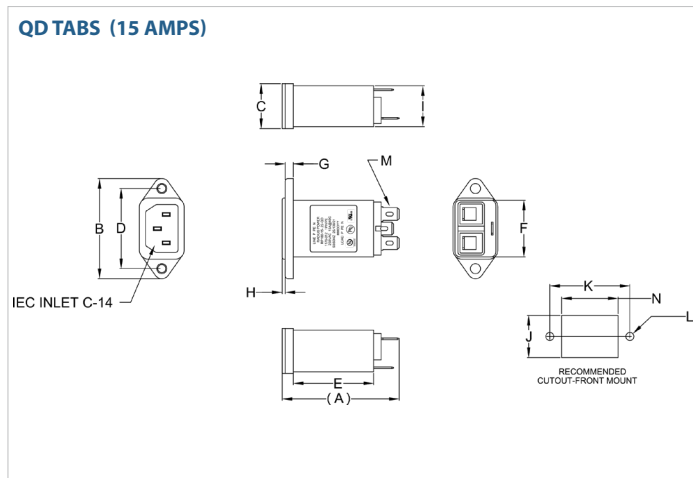
| MODEL NO. | RATED CURRENT, A @ 40° C | Y-CAP, nF | LEAKAGE CURRENT, mA @ 250V AC, 50 Hz / @ 120V AC, 60 Hz | | TERMINAL OPTIONS | | MAX. DIMENSIONS" (MM) | | |
|-----------------|--------------------------|-----------|---|------|------------------|------------|-----------------------|---------------|--------------|
| | | | | | (QD) OUTPUT | (W) OUTPUT | WIDTH | (LENGTH) | HEIGHT |
| RP180-15-0-QD | 15 | 0 | - | - | ✓ | | 1.97" (50) | 2.30" (58.45) | 0.88" (22.4) |
| RP180-15-0-W | 15 | 0 | - | - | | ✓ | 1.97" (50) | 1.63" (41.4) | 0.88" (22.4) |
| RP180-15-22-QD | 15 | 0.22 | 0.03 | 0.02 | ✓ | | 1.97" (50) | 2.30" (58.45) | 0.88" (22.4) |
| RP180-15-22-W | 15 | 0.22 | 0.03 | 0.02 | | ✓ | 1.97" (50) | 1.63" (41.4) | 0.88" (22.4) |
| RP180-15-47-QD | 15 | 0.47 | 0.07 | 0.04 | ✓ | | 1.97" (50) | 2.30" (58.45) | 0.88" (22.4) |
| RP180-15-47-W | 15 | 0.47 | 0.07 | 0.04 | | ✓ | 1.97" (50) | 1.63" (41.4) | 0.88" (22.4) |
| RP180-15-1-QD | 15 | 1 | 0.15 | 0.09 | ✓ | | 1.97" (50) | 2.30" (58.45) | 0.88" (22.4) |
| RP180-15-1-W | 15 | 1 | 0.15 | 0.09 | | ✓ | 1.97" (50) | 1.63" (41.4) | 0.88" (22.4) |
| RP180-15-2.2-QD | 15 | 2.2 | 0.34 | 0.19 | ✓ | | 1.97" (50) | 2.30" (58.45) | 0.88" (22.4) |
| RP180-15-2.2-W | 15 | 2.2 | 0.34 | 0.19 | | ✓ | 1.97" (50) | 1.63" (41.4) | 0.88" (22.4) |
| RP180-15-4.7-QD | 15 | 4.7 | 0.73 | 0.42 | ✓ | | 1.97" (50) | 2.30" (58.45) | 0.88" (22.4) |
| RP180-15-4.7-W | 15 | 4.7 | 0.73 | 0.42 | | ✓ | 1.97" (50) | 1.63" (41.4) | 0.88" (22.4) |
| RP180-20-0-QD | 20 | 0 | - | - | ✓ | | 2.09" (53) | 3.17" (80.6) | 1.18" (30) |
| RP180-20-0-W | 20 | 0 | - | - | | ✓ | 2.09" (53) | 3.09" (78.5) | 1.18" (30) |
| RP180-20-22-QD | 20 | 0.22 | 0.03 | 0.02 | ✓ | | 2.09" (53) | 3.17" (80.6) | 1.18" (30) |
| RP180-20-22-W | 20 | 0.22 | 0.03 | 0.02 | | ✓ | 2.09" (53) | 3.09" (78.5) | 1.18" (30) |
| RP180-20-47-QD | 20 | 0.47 | 0.07 | 0.04 | ✓ | | 2.09" (53) | 3.17" (80.6) | 1.18" (30) |
| RP180-20-47-W | 20 | 0.47 | 0.07 | 0.04 | | ✓ | 2.09" (53) | 3.09" (78.5) | 1.18" (30) |
| RP180-20-1-QD | 20 | 1 | 0.15 | 0.09 | ✓ | | 2.09" (53) | 3.17" (80.6) | 1.18" (30) |
| RP180-20-1-W | 20 | 1 | 0.15 | 0.09 | | ✓ | 2.09" (53) | 3.09" (78.5) | 1.18" (30) |
| RP180-20-2.2-QD | 20 | 2.2 | 0.34 | 0.19 | ✓ | | 2.09" (53) | 3.17" (80.6) | 1.18" (30) |
| RP180-20-2.2-W | 20 | 2.2 | 0.34 | 0.19 | | ✓ | 2.09" (53) | 3.09" (78.5) | 1.18" (30) |
| RP180-20-4.7-QD | 20 | 4.7 | 0.73 | 0.42 | ✓ | | 2.09" (53) | 3.17" (80.6) | 1.18" (30) |
| RP180-20-4.7-W | 20 | 4.7 | 0.73 | 0.42 | | ✓ | 2.09" (53) | 3.09" (78.5) | 1.18" (30) |

*Contact factory for dimensions.

RP180

IEC INLET SINGLE STAGE POWER LINE FILTERS

RP180 MECHANICAL OUTLINES (MM)



| SERIES | (A) | B | C | D | E | F | G | H | I | J | K | L | M | N |
|----------------------|------------------|---------------|-----------------|-----------------|---------------|-----------------|----------------|----------------|-----------------|-----------------|---------------|------------------------|--------------------------------|------------------|
| QD TABS (15A) | 2.30" (58.45) | 1.97" (50) | 0.88" (22.4) | 1.57" (40) | 1.61" (41) | 1.11" (28.2) | 0.16" (4.1) | 0.06" (1.5) | 0.80" (20.4) | 0.83" (21) | 1.57" (40) | Ø0.15, 2X Ø4.0, 2X | 0.25, 3x QD, MALE, 6.35, 3x | 1.11" (28.22) |
| QD TABS (20A) | 3.17" (80.6) | 2.09" (53) | 1.18" (30) | 1.66" (42.2) | 2.56" (65) | 1.38" (35) | 0.12" (3) | 0.02" (0.5) | 0.98" (25) | 1.07" (27.2) | 1.65" (42) | Ø0.07, 2X Ø3.50, 2X | 0.25, 3x QD, MALE, 6.35, 3x | 1.39" (35.2) |
| WIRES (20A) | 3.09" (78.5) | 2.09" (53) | 1.18" (30) | 1.66" (42.2) | 2.56" (65) | 1.34" (34) | 0.12" (3) | N/A | 1.02" (26) | 1.07" (27.2) | 1.65" (42) | Ø0.07, 2X Ø3.50, 2X | N/A | 1.39" (35.2) |

TYPICAL TOLERANCE: +/-0.02" (0.50MM)

RP180

IEC INLET SINGLE STAGE POWER LINE FILTERS

TYPICAL INSERTION LOSS, dB (50/50 Ohm)

| Amps | Freq (MHz) | 0.15 | 0.5 | 1.0 | 10 | 30 |
|------|------------|------|-----|-----|----|----|
| 15 | CM (dB) | 8 | 18 | 26 | 45 | 50 |
| | DM (dB) | 10 | 18 | 22 | 50 | 50 |
| 20 | CM (dB) | 10 | 20 | 26 | 45 | 55 |
| | DM (dB) | 14 | 24 | 30 | 55 | 55 |

Mouser Electronics

Authorized Distributor

Click to View Pricing, Inventory, Delivery & Lifecycle Information:

Astrodyne TDI:

[RP180-20-0-QD](#) [RP180-15-0.1-QD](#) [RP180-20-2.2-QD](#) [RP180-20-0.1-QD](#) [RP180-15-0-QD](#) [RP180-15-2.2-QD](#)
[RP180-15-3.3-QD](#) [RP180-20-4.7-QD](#)