

R88D-1SN□□□-ECT

1S servo drive

Sysmac general purpose servo

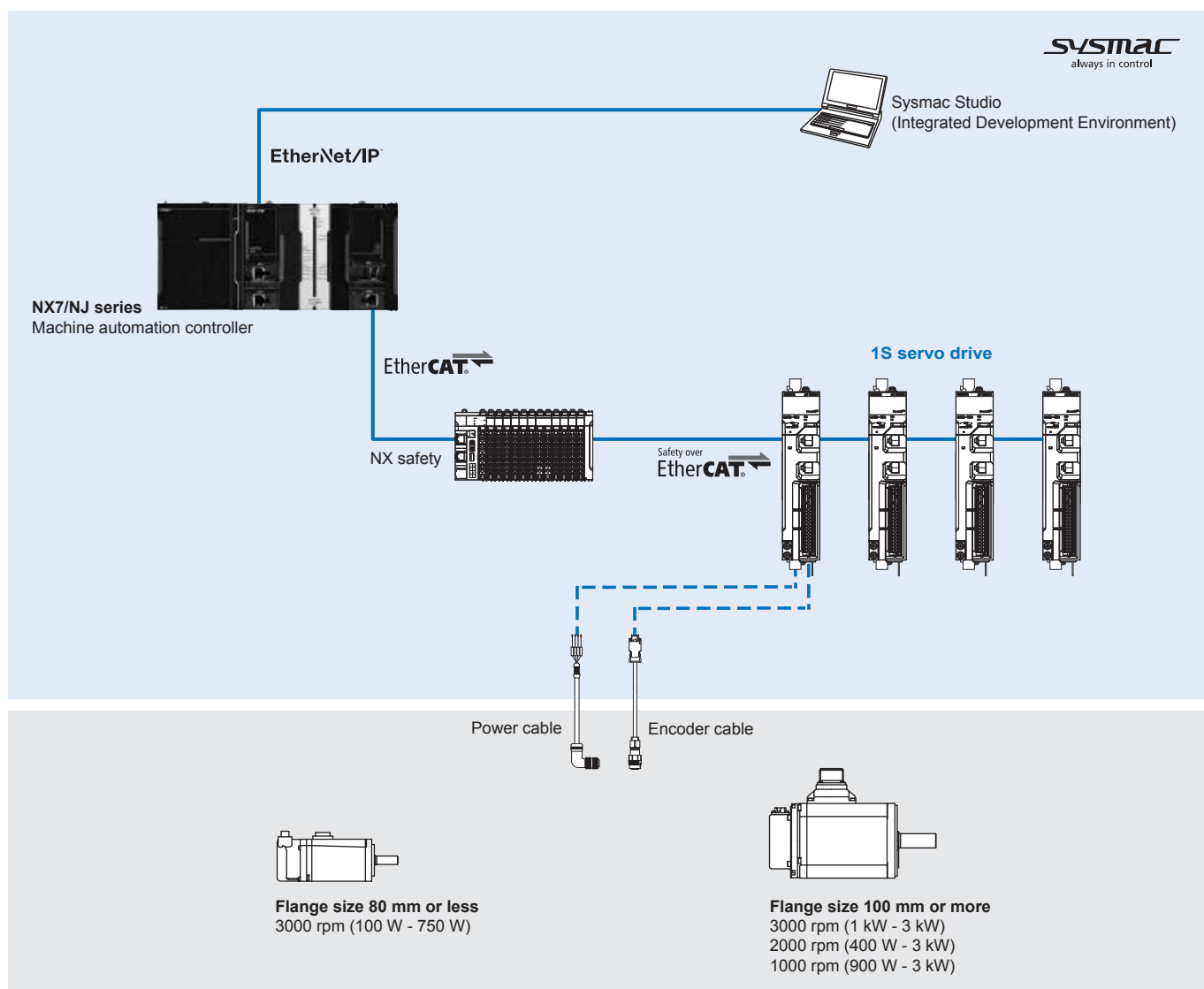
- 23-bit resolution encoder
- Fast and secure screw-less push-in in all connectors
- Pluggable connectors for easy pre-wiring and system maintenance
- Direct wiring of I/O signals
- Embedded relay for direct motor brake control
- Improved loop control for overshoot and quick setting time
- Safety function built-in:
 Network Safe Torque Off: PLd (EN ISO 13849-1), SIL2 (IEC 61508)
 Hardwired Safe Torque Off: PLe (EN ISO 13849-1), SIL3 (IEC 61508)



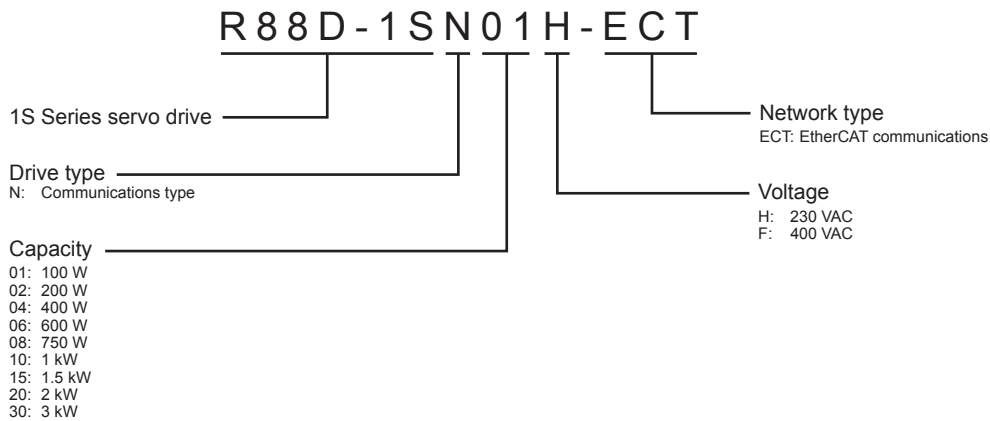
Ratings

- 230 VAC single-phase: 100 W to 1.5 kW
- 400 VAC three-phase: 600 W to 3 kW

System configuration



Type designation



Specifications

Single-phase, 230 V

Servo drive model		R88D-1SN01H-ECT	R88D-1SN02H-ECT	R88D-1SN04H-ECT	R88D-1SN08H-ECT	R88D-1SN15H-ECT		
Applicable servo motor	3000 r/min	R88M-1M10030T	R88M-1M20030T	R88M-1M40030T	R88M-1M75030T	R88M-1L1K030T R88M-1L1K530T		
	2000 r/min	-	-	-	-	R88M-1M1K020T R88M-1M1K520T		
	1000 r/min	-	-	-	-	R88M-1M90010T		
Max. applicable motor capacity	W	100	200	400	750	1500		
Input	Control circuit	Power supply voltage	V				24 VDC (21.6 to 26.4 V)	
	Main circuit	Power supply voltage	V				Single-phase 200 to 240 VAC (170 to 252 V)	
		Frequency	Hz				50/60 Hz (47.5 to 63 Hz)	
Output	Rated input current	Single-phase	Arms	1.8	2.7	4.6	7.3	15.7
	Rated output current	Arms	0.8	1.5	2.5	4.6	9.7	
Basic	Max. current	Arms	3.1	5.6	9.1	16.9	28.4	
	Ambient operating/storage temperature	0 to 55°C/-20 to 65°C						
	Ambient operating/storage humidity	90% RH or less (without condensation)						
	Atmosphere	Must be free from corrosive gases						
	Altitude	1000 m or less						
	Vibration resistance (max.)	5.88 m/s ² , 10 to 60 Hz (continuous operation at resonance point is not allowed)						
	Degree of protection	IP20 (Built into IP54 panel)						
Weight	kg	1.2	1.2	1.5	2.0	3.4		

Three-phase, 400 V

Servo drive model		R88D-1SN06F-ECT	R88D-1SN10F-ECT	R88D-1SN15F-ECT	R88D-1SN20F-ECT	R88D-1SN30F-ECT		
Applicable servo motor	3000 r/min	-	R88M-1L75030C R88M-1L1K030C	R88M-1L1K530C	R88M-1L2K030C	R88M-1L3K030C		
	2000 r/min	R88M-1M40020C R88M-1M60020C	R88M-1M1K020C	R88M-1M1K520C	R88M-1M2K020C	R88M-1M3K020C		
	1000 r/min	-	R88M-1M90010C	-	R88M-1M2K010C	R88M-1M3K010C		
Max. applicable motor capacity	W	600	1000	1500	2000	3000		
Input	Control circuit	Power supply voltage	V				24 VDC (21.6 to 26.4 V)	
	Main circuit	Power supply voltage	V				Three-phase 380 to 480 VAC (323 to 504 V)	
		Frequency	Hz				50/60 Hz (47.5 to 63 Hz)	
Output	Rated input current	Three-phase	Arms	2.4	3.1	4.3	6.5	8.4
	Rated output current	Arms	1.8	4.1	4.7	7.8	11.3	
Basic	Max. current	Arms	5.5	9.6	14.1	19.8	28.3	
	Ambient operating/storage temperature	0 to 55°C/-20 to 65°C						
	Ambient operating/storage humidity	90% RH or less (without condensation)						
	Atmosphere	Must be free from corrosive gases						
	Altitude	1000 m or less						
	Vibration resistance (max.)	5.88 m/s ² , 10 to 60 Hz (continuous operation at resonance point is not allowed)						
	Degree of protection	IP20 (Built into IP54 panel)						
Weight	kg	3.4	3.4	3.4	3.4	3.4		

I/O specifications

Control I/O and safety connector (CN1)

Pin No.	Signal name	Function	Pin No.	Signal name	Function	
1	EDM+P	EDM+ output with short-circuit protection	21	EDM-	EDM- output	A monitor signal is output to detect a safety function failure. The Pin No. 22 is reserved.
2	EDM+	EDM+ output without short-circuit protection	22	SFA	Reserved	
3	SF1+	SF1+ input	23	SF1+	SF1+ input	Inputs 1 and 2 for operating the STO function, which are two independent circuits. This input turns OFF the power transistor drive signals in the servo drive to cut off the current output to the motor.
4	SF1-	SF1- input	24	SF1-	SF1- input	
5	SF2+	SF2+ input	25	SF2+	SF2+ input	
6	SF2-	SF2- input	26	SF2-	SF2- input	
7	SFB	Reserved	27	NC	NC	Reserved. Do not connect.
8	/ERR+	Error output	28	/ERR-	Error output common	If the servo drive detects an abnormality, it outputs an error (/ALM) and turns OFF the power drive circuit.
9	OUT1+	General-purpose output 1	29	OUT1-	General-purpose output 1 common	Output functions: Error output (ERR), Servo ready completed output (READY), Positioning completion output 1/2 (INP1/INP2), Motor rotation speed detection output (TGON), Torque limit output (TLMT), Zero speed detection output (ZSP), Speed conformity output (VCMP), Warning output 1/2 (WARN1/WARN2), Speed limiting output (VLIMIT), Error clear attribute output (ERR-ATB), Remote output 1/2/3 (R-OUT1/R-OUT2/R-OUT3), Zone notification output 1/2 (ZONE1/ZONE2), Position command status output (PCMD), Distribution completed output (DEN).
10	OUT2+	General-purpose output 2	30	OUT2-	General-purpose output 2 common	
11	OUT3+	General-purpose output 3	31	OUT3-	General-purpose output 3 common	
12	IN1	General-purpose input 1	32	IN2	General-purpose input 2	Input functions: Positive drive prohibition input (POT), Negative drive prohibition input (NOT), Error stop input (ESTP), External latch input 1/2 (EXT1/EXT2), Home proximity input (DEC), Positive torque limit input (PCL), Negative torque limit input (NCL), Monitor input 1/2/3/4/5/6/7/8 (MON1/MON2/MON3/MON4/MON5/MON6/MON7/MON8), Main circuit power supply ON/OFF input (PRDY).
13	IN3	General-purpose input 3	33	IN4	General-purpose input 4	
14	IN5	General-purpose input 5	34	IN6	General-purpose input 6	
15	IN7	General-purpose input 7 (high-speed input)	35	IN8	General-purpose input 8 (high-speed input)	
16	GND	Encoder GND	36	Common	12 to 24 VDC power supply	
17	A+	Encoder phase A+ output	37	A-	Encoder phase A- output	Encoder signal output.
18	B+	Encoder phase B+ output	38	B-	Encoder phase B- output	Line Drive output.
19	Z+	Encoder phase Z+ output	39	Z-	Encoder phase Z- output	EIARS422A compliant (load resistance: 120 Ω). Max. output frequency: 4 Mpps (when multiplied by 4).
20	FG	FG	40	FG	FG	Frame ground.

Encoder connector (CN2)

Pin No.	Signal name	Function	
1	E5V	Encoder power supply voltage	Encoder power supply voltage.
2	E0V	Encoder power supply GND	
3	NC	Not used	Not used.
4	NC	Not used	
5	PS+	Encoder+ phase-S I/O	Encoder phase-S I/O.
6	PS-	Encoder- phase-S I/O	
Shell	FG	Frame ground	Frame ground.

USB connector (CN7)

Pin No.	Signal name	Function	
1	VBUS	USB signal terminal	Used for computer communications.
2	D-		
3	D+		
4	Reserved	Reserved	Reserved. Do not connect.
5	GND	Signal ground	Signal ground.

Brake interlock connector (CN12)

Pin No.	Signal name	Function	
1	0V_BKIR	24 V power supply for brake -	24 V power supply for brake.
2	+24V_BKIR	24 V power supply for brake +	
3	BKIR-	Brake output -	Brake output.
4	BKIR+	Brake output +	

I/O specifications (specific for 230 V, 100 W to 750 W models)

Main circuit connector (CNA)

Pin No.	Signal name	Function	
1	L1	Main circuit power supply input	Input for the main circuit power supply voltage. Single-phase 200 to 240 VAC (170 to 252 V), 50/60 Hz ^{*1}
2	L2		
3	L3		
4	B3	External regeneration resistor connection terminals	If regenerative energy is high, an external regeneration resistor is connected so that the regenerative energy can be absorbed. When an internal regeneration resistor is used: B1 and B2 are open, B2 and B3 are short-circuited ^{*2} . When an external regeneration resistor is used: The external regeneration resistor is connected between B1 and B2, B2 and B3 are open.
5	B2		
6	P/B1		
7	N1	DC reactor connection terminals	When the DC reactor is not used, short-circuit N1 and N2. When the DC reactor is used, connect the DC reactor between N1 and N2.
8	N2		
9	N3		
10	+24V	Control circuit power supply input	Input for the control power supply voltage. 24 VDC ±10% (21.6 to 26.4 V) Measured current value: 600 mA
11	0V		

^{*1} When the single-phase input is used, connect between any two phases out of the following: L1, L2 and L3.

^{*2} B2 and B3 shall be short-circuited in the factory setting.

Motor connector (CNC)

Pin No.	Signal name	Function	
1	U	Motor connection terminals	These are the connection terminals to the servo motor.
2	V		
3	W		

I/O specifications (specific for 230 V, 1.5 kW model / 400 V, 600 W to 3 kW models)

Connector for main circuit power supply and external regeneration resistor (CNA)

Pin No.	Signal name	Function	
1	B1	External regeneration resistor connection terminals	If regenerative energy is high, an external regeneration resistor is connected so that the regenerative energy can be absorbed. When an internal regeneration resistor is used: B1 and B2 are open, B2 and B3 are short-circuited ^{*1} . When an external regeneration resistor is used: The external regeneration resistor is connected between B1 and B2, B2 and B3 are open.
2	B2		
3	B3		
4	L3	Main circuit power supply input	Input for the main circuit power supply voltage. Single-phase 200 to 240 VAC (170 to 252 V), 50/60 Hz ^{*2} Three-phase 380 to 480 VAC (323 to 504 V), 50/60 Hz
5	L2		
6	L1		

^{*1} B2 and B3 shall be short-circuited in the factory setting.

^{*2} When the single-phase input is used, connect between any two phases out of the following: L1, L2 and L3.

DC bus connector (CNB)

Pin No.	Signal name	Function	
1	N3	DC reactor connection terminals	When the DC reactor is not used, short-circuit N1 and N2. When the DC reactor is used, connect the DC reactor between N1 and N2.
2	N2		
3	N1		
4	P		

Motor connector (CNC)

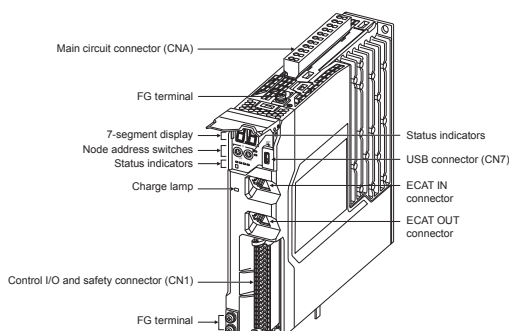
Pin No.	Signal name	Function	
1	W	Motor connection terminals	These are the connection terminals to the servo motor.
2	V		
3	U		
4	FG		

Control power supply connector (CND)

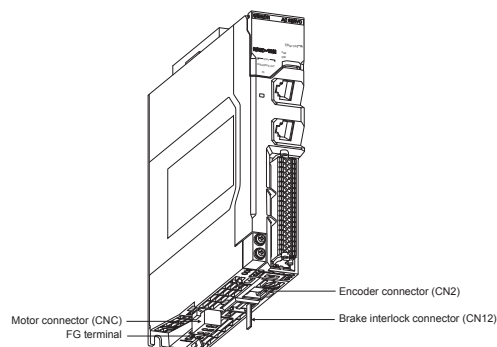
Pin No.	Signal name	Function	
1	+24V	Control circuit power supply input	Input for the control power supply voltage. 24 VDC ±10% (21.6 to 26.4 V) Measured current value: 900 mA
2	0V		
3	NC	-	

Nomenclature

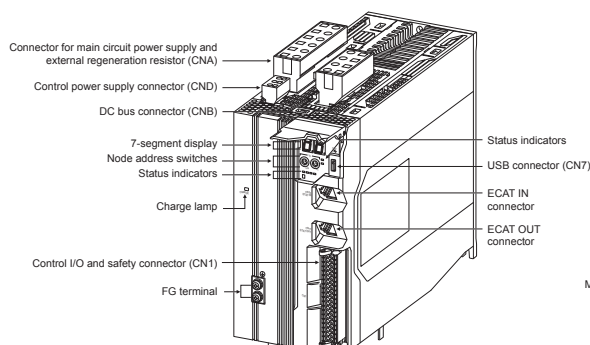
■ TOP VIEW
(230 V, 100 W to 750 W models)



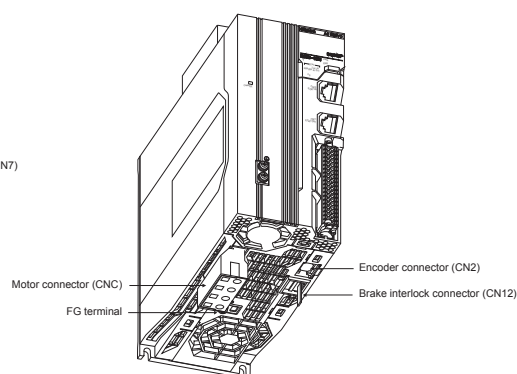
■ BOTTOM VIEW
(230 V, 100 W to 750 W models)



■ TOP VIEW
(230 V, 1.5 kW model)
(400 V, 600 W to 3 kW models)



■ BOTTOM VIEW
(230 V, 1.5 kW model)
(400 V, 600 W to 3 kW models)



Name	Description
Status indicators	The following seven indicators are mounted: PWR (Green): Displays the status of the control power supply. ERR (Red): Displays the servo drive error status. ECAT-RUN (Green) and ECAT-ERR (Red): Displays the EtherCAT communications status. ECAT-L/A IN (Green) and ECAT-L/A OUT (Green): Lights or flashes according to the status of a link in the EtherCAT physical layer. FS (Red/Green): Displays the FSoE communications status.
7-segment display	A 2-digit 7-segment display shows error numbers, the servo drive status and other information.
Node address switches	Two selector switches (0 to F hex) are used to set the EtherCAT node address.
Charge lamp	Lights when the main circuit power supply is turned ON.
EtherCAT communications connectors	These connectors (ECAT IN and ECAT OUT) are for EtherCAT communications.
Control I/O and safety connector (CN1)	Used for command input signals, I/O signals and the safety device connector. The short-circuit wire is installed on the safety signals before shipment.
Encoder connector (CN2)	Connector for the encoder installed in the servo motor.
USB connector (CN7)	USB-Micro B communications connector for the computer. This connector enables USB 2.0 Full Speed (12 Mbps) communications.
Brake interlock connector (CN12)	Used for brake interlock signals.
Main circuit connector (CNA) ^{*1}	Connector for the main circuit power supply input, control power supply input, external regeneration resistor and DC reactor.
Connector for main circuit power supply and external regeneration resistor (CNA) ^{*2}	Connector for the main circuit power supply input and external regeneration resistor.
DC bus connector (CNB)	Connector for a DC reactor.
Motor connector (CNC)	Connector for the power line to U, V and W phases of the servo motor.
Control power supply connector (CND)	Connector for control power supply input.
FG terminals	Terminals for FG connection.

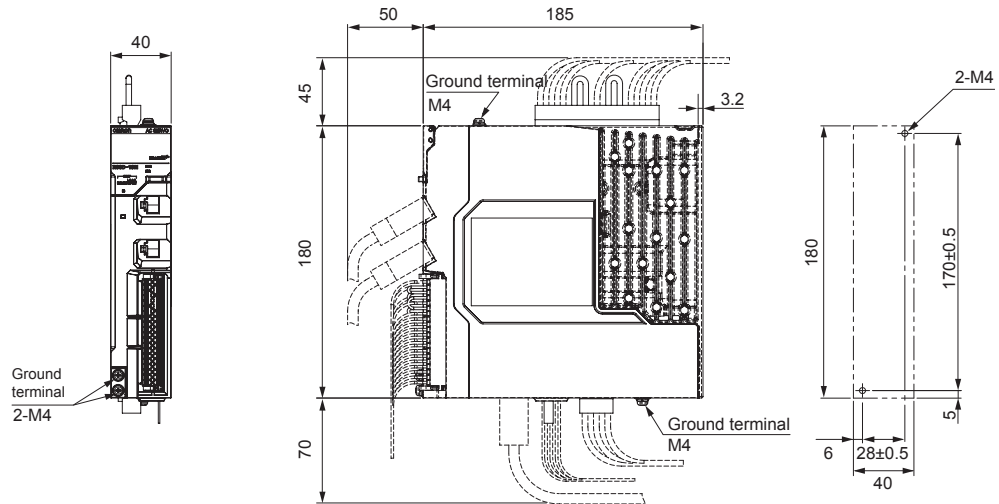
*1 Specific connector for 230 V, 100 W to 750 W models.

*2 Specific connector for 230 V, 1.5 kW model and 400 V, 600 W to 3 kW models.

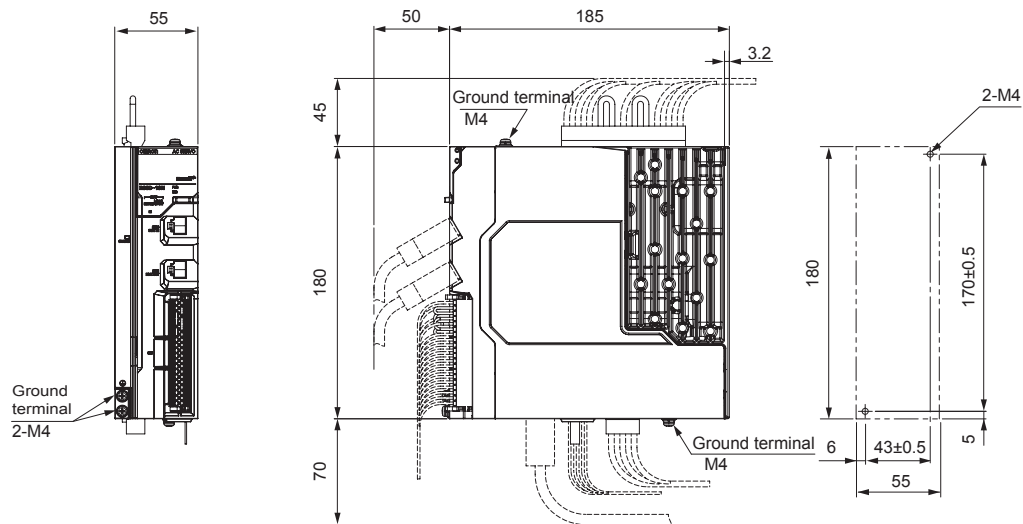
Dimensions

Servo drives

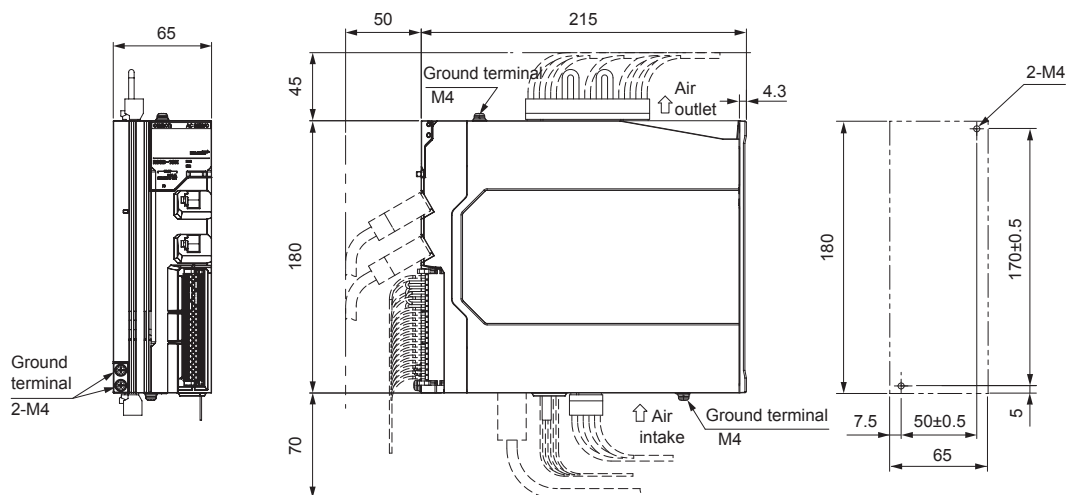
R88D-1SN01H-ECT/02H-ECT (230 V, 100 W to 200 W)



R88D-1SN04H-ECT (230 V, 400 W)

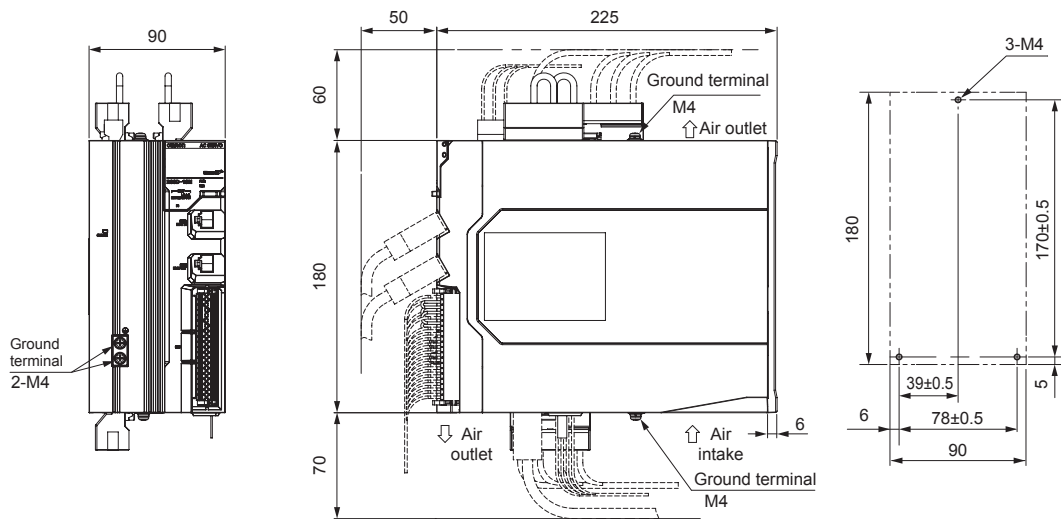


R88D-1SN08H-ECT (230 V, 750 W)

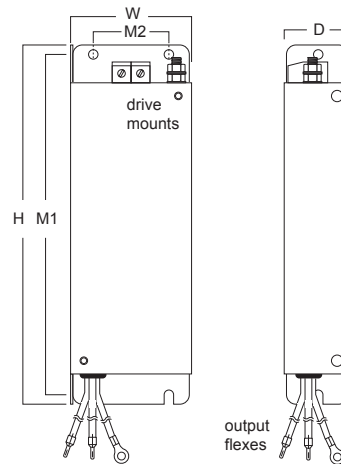


R88D-1SN15H-ECT (230 V, 1.5 kW)

R88D-1SN06F-ECT/10F-ECT/15F-ECT/20F-ECT/30F-ECT (400 V, 600 W to 3 kW)



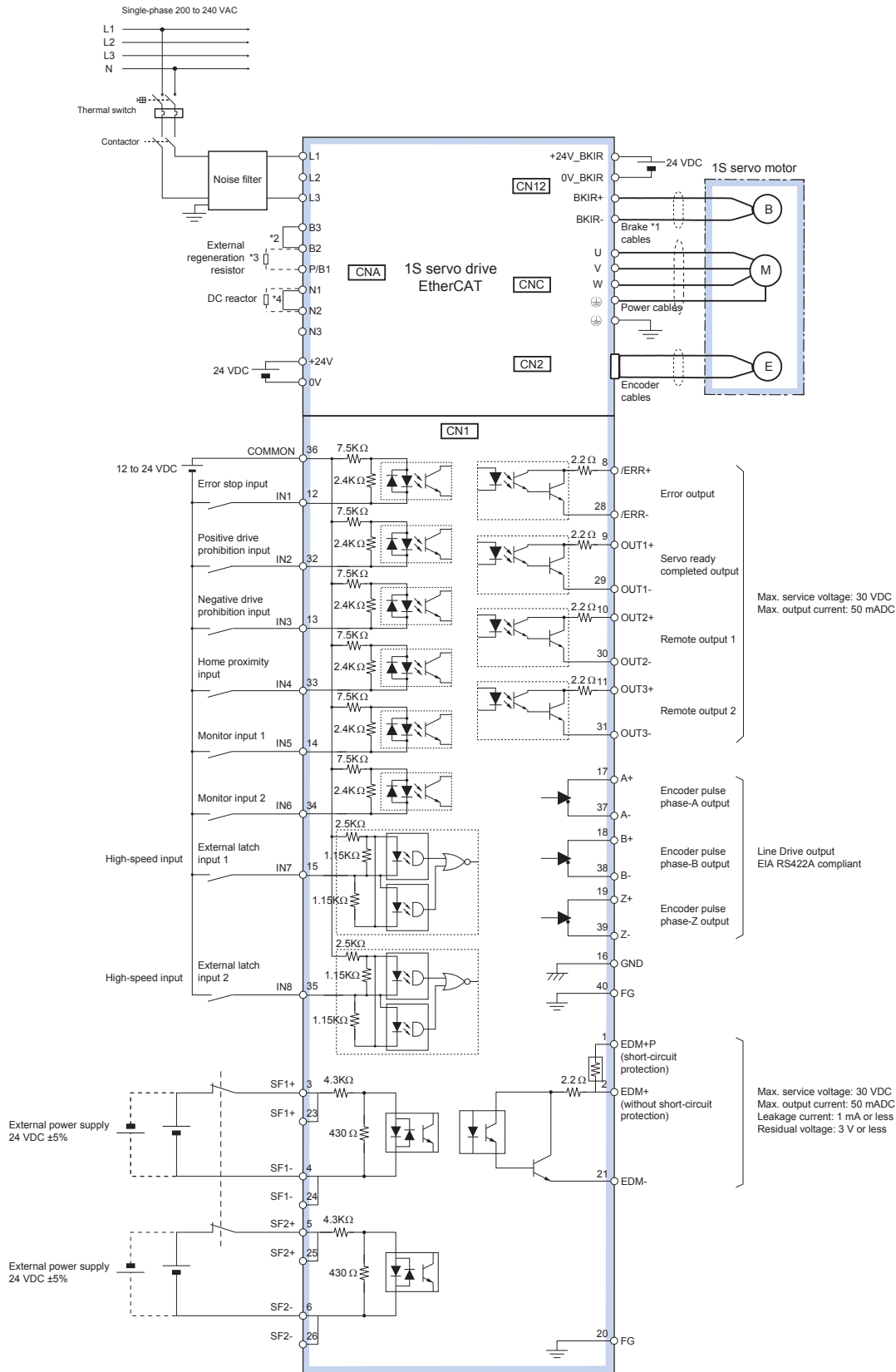
Filters



Filter model	External dimensions			Mount dimensions	
	H	W	D	M1	M2
R88A-F11S103-SE	220	40	35	210	20
R88A-F11S105-SE		55			30
R88A-F11S108-SE		65			40
R88A-F11S116-SE		90	45		60
R88A-F11S309-SE					

Installation

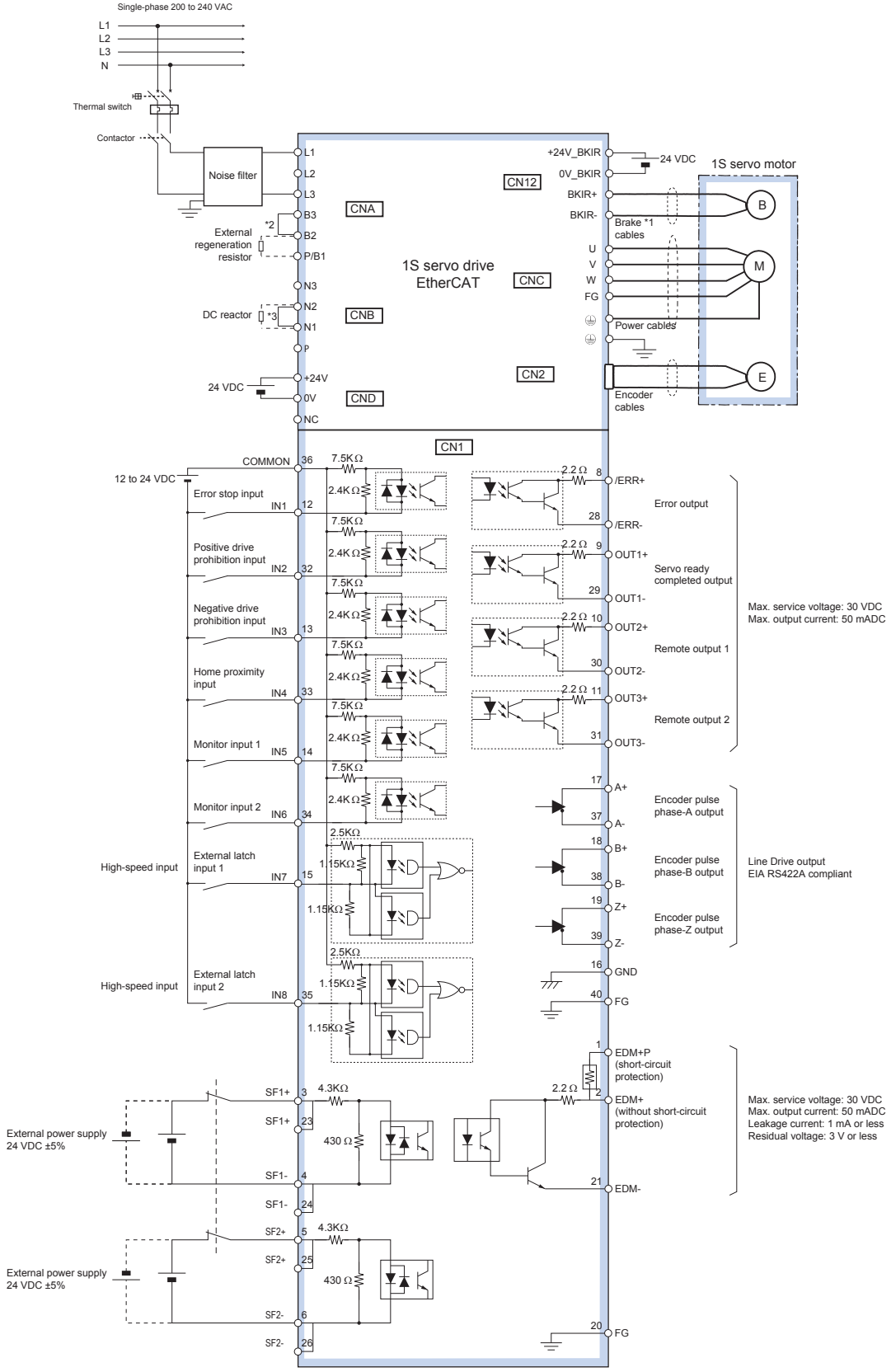
Single-phase, 230 VAC (100 W to 750 W models)



- *1. There is no polarity on the brake.
- *2. For 750 W servo drive, B2 and B3 are short-circuited. If the internal regenerative resistor is insufficient, remove the wire between B2 and B3 and connect an external regenerative resistor between B1 and B2.
- *3. There is no internal regeneration resistor for 100 to 400 W models. When the amount of regeneration is large, connect the necessary regeneration resistor between B1 and B2.
- *4. To use a DC reactor, remove the short-circuit wire and connect the DC reactor between N1 and N2.

Note: The input functions of pins 12 to 15 and 32 to 35, and output functions of pins 9 to 11 and 29 to 31, can be changed via parameter settings.

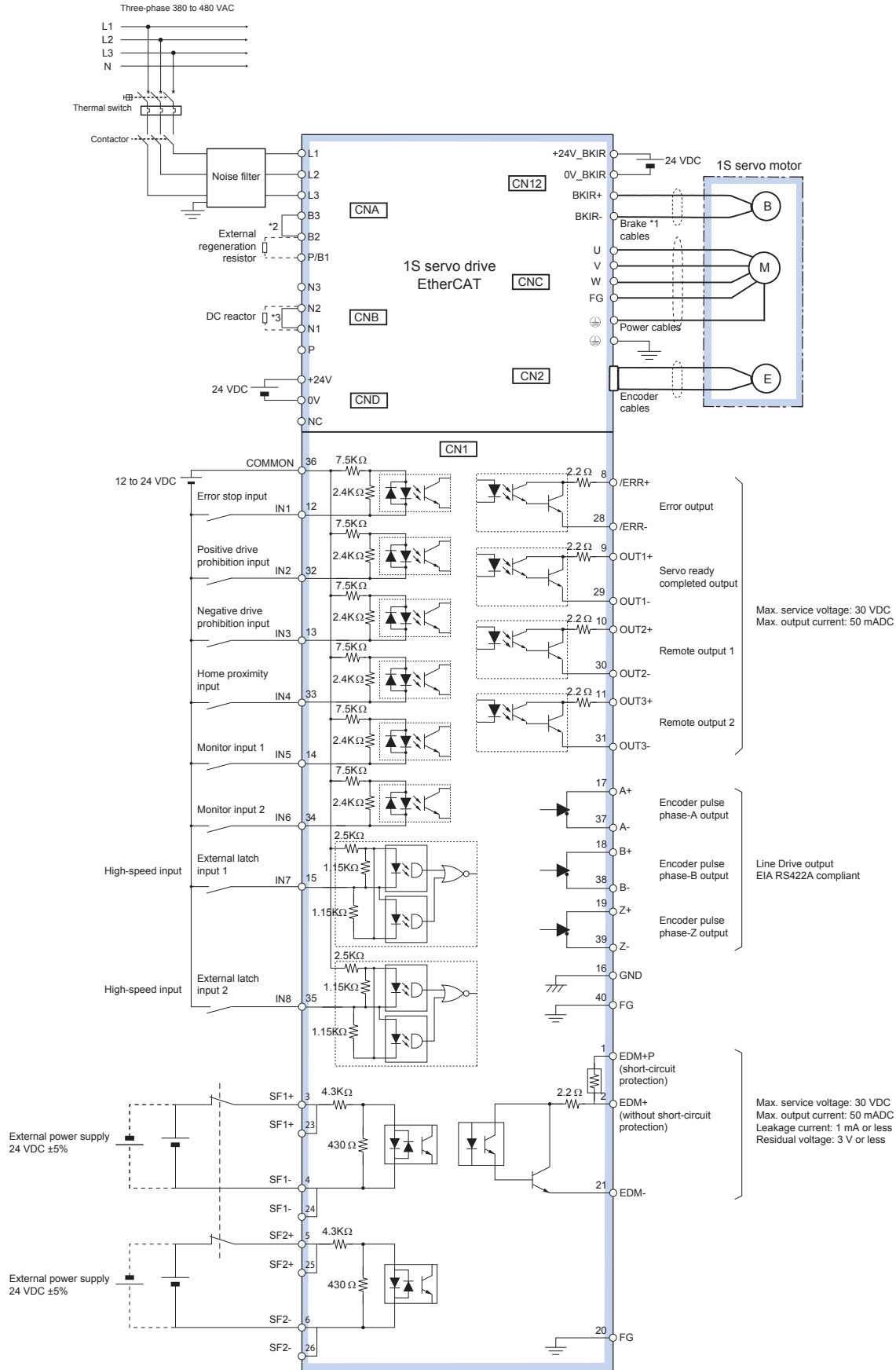
Single-phase, 230 VAC (1.5 kW model)



- *1. There is no polarity on the brake.
- *2. B2 and B3 are short-circuited. If the internal regenerative resistor is insufficient, remove the wire between B2 and B3 and connect an external regenerative resistor between B1 and B2.
- *3. To use a DC reactor, remove the short-circuit wire and connect the DC reactor between N1 and N2.

Note: The input functions of pins 12 to 15 and 32 to 35, and output functions of pins 9 to 11 and 29 to 31, can be changed via parameter settings.

Three-phase, 400 VAC



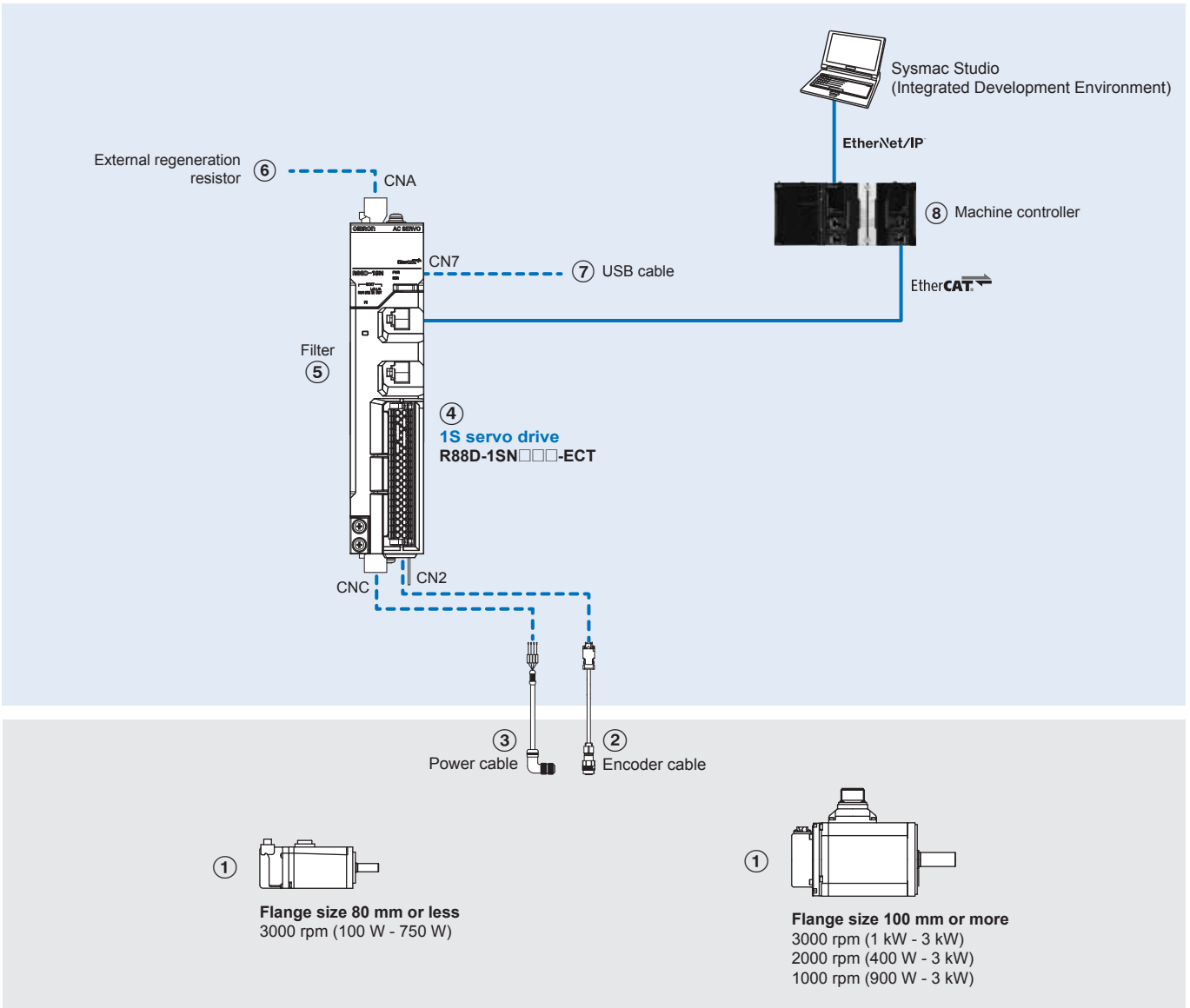
*1. There is no polarity on the brake.

*2. B2 and B3 are short-circuited. If the internal regenerative resistor is insufficient, remove the wire between B2 and B3 and connect an external regenerative resistor between B1 and B2.

*3. To use a DC reactor, remove the short-circuit wire and connect the DC reactor between N1 and N2.

Note: The input functions of pins 12 to 15 and 32 to 35, and output functions of pins 9 to 11 and 29 to 31, can be changed via parameter settings.

Ordering information



Servo motors, power & encoder cables

①②③ Refer to the 1S servo motor chapter for servo motor, motor cables or connectors selection.

Servo drives

Symbol	Specifications		Model	Compatible 1S servo motor
④	Single-phase 230 VAC	100 W	R88D-1SN01H-ECT	R88M-1M10030T-□
		200 W	R88D-1SN02H-ECT	R88M-1M20030T-□
		400 W	R88D-1SN04H-ECT	R88M-1M40030T-□
		750 W	R88D-1SN08H-ECT	R88M-1M75030T-□
		1.5 kW	R88D-1SN15H-ECT	R88M-1L1K030T-□ ^{*1}
				R88M-1L1K530T-□ ^{*1}
R88M-1M1K020T-□				
④	Three-phase 400 VAC	600 W	R88D-1SN06F-ECT	R88M-1M40020C-□
				R88M-1M60020C-□
		1 kW	R88D-1SN10F-ECT	R88M-1L75030C-□ ^{*1}
				R88M-1L1K030C-□ ^{*1}
				R88M-1M1K020C-□
				R88M-1M90010C-□
		1.5 kW	R88D-1SN15F-ECT	R88M-1L1K530C-□ ^{*1}
				R88M-1M1K520C-□
		2 kW	R88D-1SN20F-ECT	R88M-1L2K030C-□ ^{*1}
				R88M-1M2K020C-□
				R88M-1M2K010C-□
		3 kW	R88D-1SN30F-ECT	R88M-1L3K030C-□ ^{*1}
R88M-1M3K020C-□				
R88M-1M3K010C-□				

*1 Available soon.

Filters

Symbol	Applicable 1S servo drive	Manufacturer	Model	Rated current	Leakage current	Rated voltage
⑤	R88D-1SN01H-ECT, R88D-1SN02H-ECT	Schaffner EMC Co. Ltd.	R88A-FI1S103-SE	3 A	2.6 mA	250 VAC
	R88D-1SN04H-ECT		R88A-FI1S105-SE	5 A		
	R88D-1SN08H-ECT		R88A-FI1S108-SE	8 A		
	R88D-1SN15H-ECT		R88A-FI1S116-SE	16 A		
	R88D-1SN06F-ECT, R88D-1SN10F-ECT, R88D-1SN15F-ECT, R88D-1SN20F-ECT, R88D-1SN30F-ECT		R88A-FI1S309-SE	9 A	1.2 mA	400 VAC

External regeneration resistor

Symbol	Resistance value	Nominal capacity	Regeneration absorption for 120°C temperature rise	Model		
⑥	15 Ω	120 W	24 W	R88A-RR12015		
	25 Ω			R88A-RR12025		
	10 Ω	300 W	60 W	R88A-RR30010		
	12 Ω			R88A-RR30012		
	15 Ω			R88A-RR30015		
	17 Ω			R88A-RR30017		
	20 Ω			R88A-RR30020		
	25 Ω			R88A-RR30025		
	33 Ω					R88A-RR30033

⑦ USB cable

Use a commercially available USB cable that is double-shielded, gold-plated and supports USB 2.0. The Micro B type USB cable can be used.

Machine controller

Symbol	Name		Model
⑧	NX7 series	CPU unit	NX701-□
		Power supply unit	NX-PA9001 (220 VAC)
			NX-PD7001 (24 VDC)
	NJ series	CPU unit	NJ501-□
			NJ301-□
			NJ101-□
	Power supply unit	NJ-PA3001 (220 VAC)	
		NJ-PD3001 (24 VDC)	

Computer software

Specifications	Model
Sysmac Studio version 1.16 or higher	SYSMAC-SE2□□□

ALL DIMENSIONS SHOWN ARE IN MILLIMETERS.

To convert millimeters into inches, multiply by 0.03937. To convert grams into ounces, multiply by 0.03527.

Cat. No. SysCat_I188E-EN-01 In the interest of product improvement, specifications are subject to change without notice.