

GW PN/MODBUS 1E/1DB9 - Interface converters



1105707

<https://www.phoenixcontact.com/us/products/1105707>

Please be informed that the data shown in this PDF document is generated from our online catalog. Please find the complete data in the user documentation. Our general terms of use for downloads are valid.



The GW PN/MODBUS... enables two-way communication between PROFINET and Modbus protocols. Includes one RJ45 port and one D-SUB 9 port.

Commercial data

Item number	1105707
Packing unit	1 pc
Minimum order quantity	1 pc
Sales key	DN09
Product key	DNC323
GTIN	4055626989839
Weight per piece (including packing)	167 g
Weight per piece (excluding packing)	110 g
Customs tariff number	85176200
Country of origin	US

Technical data

Notes

Utilization restriction

EMC note	EMC: class A product, see manufacturer's declaration in the download area
----------	---

Utilization restriction

CCCex note	Use in potentially explosive areas is not permitted in China.
------------	---

Product properties

Product type	Interface converter
MTBF	92.1 Years (Telcordia standard, 25°C temperature, 50% stress, Environmental Factor = 1.0)
	61.4 Years (Telcordia standard, 40°C temperature, 50% stress, Environmental Factor = 1.5)

Electrical properties

Electrical isolation	IEC UL 61010-1 (VCC // Ethernet)
Test voltage data interface/data interface	1.5 kV _{rms} (50 Hz, 1 min.)
Test voltage data interface/power supply	1.5 kV _{rms} (50 Hz, 1 min.)
	1.5 kV _{rms}

Supply

Supply voltage range	10.8 V DC ... 30 V DC (via pluggable COMBICON screw terminal block)
Typical current consumption	48 mA (24 V DC)
Max. current consumption	60 mA (24 V DC)

Function

Management	Web-based management
Status and diagnostic indicators	LEDs: Status, ACT/LNK (Ethernet data traffic)

Connection data

Supply

Conductor cross section, flexible	0.20 mm ² ... 2.50 mm ²
Conductor cross section AWG	24 ... 12
Tightening torque	0.5 Nm ... 0.6 Nm

Interfaces

Signal	Ethernet
	PROFINET
	Modbus

Data: PROFINET, MODBUS TCP

Serial transmission speed	10/100 Mbps, auto negotiation
---------------------------	-------------------------------

GW PN/MODBUS 1E/1DB9 - Interface converters



1105707

<https://www.phoenixcontact.com/us/products/1105707>

Connection method	RJ45 jack, shielded
Transmission length	≤ 100 m (shielded twisted pair)
Protocols supported	PROFINET, MODBUS ASCII/RTU/TCP
Auxiliary protocols	ARP, DHCP (Client), PING

Data: RS-232

Serial transmission speed	0.3; 0.6; 1.2; 2.4; 4.8; 9.6; 19.2; 38.4; 57.6; 115.2; 230.4 Kbps
Number of connections	1
Connection method	D-SUB 9 plug
Pin assignment	DTE
Transmission length	15 m
File format/coding	5/6/7/8 Data bits, 1/2 Stop bits, None/Even/Odd/Mark/Space Parity
Data flow control/protocols	Software handshake, Xon/Xoff or hardware handshake RTS/CTS

Data: RS-422

Serial transmission speed	0.3; 0.6; 1.2; 2.4; 4.8; 9.6; 19.2; 38.4; 57.6; 115.2; 230.4 Kbps
Number of connections	1
Connection method	D-SUB 9 plug
Pin assignment	2, 3, 5, 7, 8
Transmission length	≤ 1200 m
Termination resistor	120 Ω (configurable)
File format/coding	5/6/7/8 Data bits, 1/2 Stop bits, None/Even/Odd/Mark/Space Parity

Data: RS-485

Serial transmission speed	0.3; 0.6; 1.2; 2.4; 4.8; 9.6; 19.2; 38.4; 57.6; 115.2; 230.4 Kbps
Number of connections	1
Connection method	D-SUB 9 plug
Pin assignment	3, 5, 7
Termination resistor	120 Ω (configurable)
File format/coding	5/6/7/8 Data bits, 1/2 Stop bits, None/Even/Odd/Mark/Space Parity

Dimensions

Width	22.5 mm
Height	99 mm
Depth	115 mm

Material specifications

Color	gray
Housing material	PA 6.6

Environmental and real-life conditions

Ambient conditions

Degree of protection	IP20
----------------------	------

1105707

<https://www.phoenixcontact.com/us/products/1105707>

Ambient temperature (operation)	-40 °C ... 70 °C
Ambient temperature (storage/transport)	-40 °C ... 80 °C
Altitude	< 2000 m
Permissible humidity (operation)	10 % ... 95 % (non-condensing)
Permissible humidity (storage/transport)	5 % ... 95 % (non-condensing)

Approvals

Conformity/Approvals

Conformance	CE-compliant
UL, USA	UL 61010-1
UL, USA / Canada	Class I, Div. 2, Groups A, B, C, D T4A
Noxious gas test	ISA-S71.04-1985 G3 Harsh Group A

Ex data

ATEX	DEMKO 18ATEX 2026X: II 3 G Ex ec IIC T4 Gc
IECEX	IECEX UL 18.0023X Ex ec IIC T4 Gc

EMC data

Noise immunity	EN 61000-6-2:2005
Electromagnetic compatibility	Conformance with EMC Directive 2014/30/EU
Noise emission	EN 61000-6-4

Standards and regulations

Standards/regulations	EN 55022, EN 55024
-----------------------	--------------------

Mounting

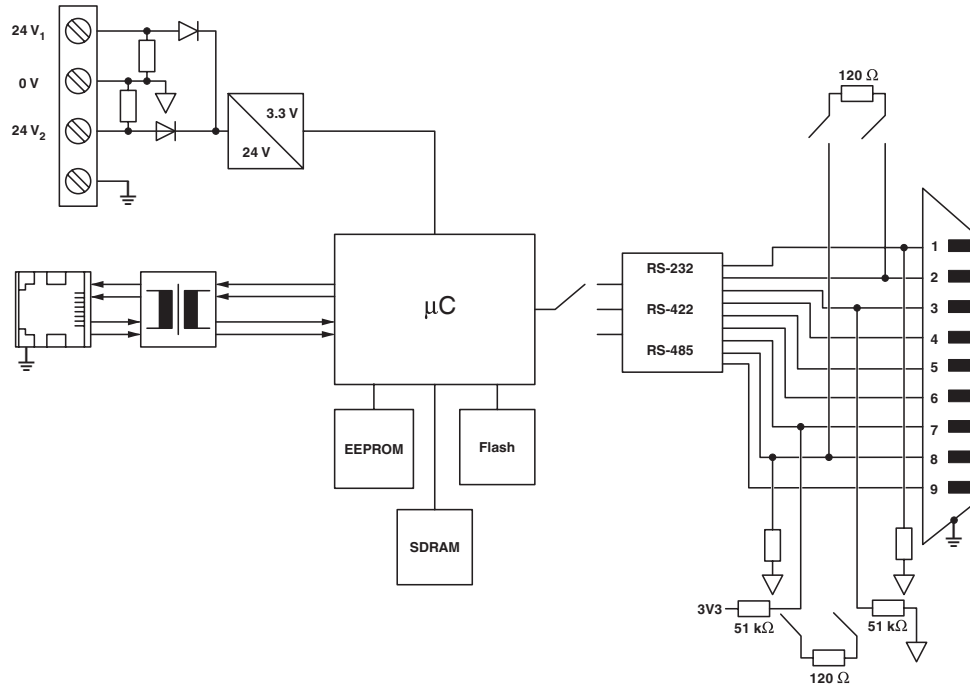
Mounting type	DIN rail mounting
---------------	-------------------

1105707

<https://www.phoenixcontact.com/us/products/1105707>

Drawings

Block diagram



1105707

<https://www.phoenixcontact.com/us/products/1105707>

Approvals

To download certificates, visit the product detail page: <https://www.phoenixcontact.com/us/products/1105707>



UL Listed

Approval ID: FILE E 238705



cUL Listed

Approval ID: FILE E 238705

PROFINET

Approval ID: Z13226



IECEx

Approval ID: IECEx UL 18.0023X



cUL Listed

Approval ID: FILE E 196811



UL Listed

Approval ID: FILE E 196811



ATEX

Approval ID: DEMKO 18 ATEX 2026X



IECEx

Approval ID: IECEx UL 18.0023X



ATEX

Approval ID: DEMKO 18 ATEX 2026X

cULus Listed

cULus Listed

GW PN/MODBUS 1E/1DB9 - Interface converters



1105707

<https://www.phoenixcontact.com/us/products/1105707>

Classifications

ECLASS

ECLASS-11.0	27242208
ECLASS-12.0	27242208
ECLASS-13.0	27242208

ETIM

ETIM 9.0	EC001423
----------	----------

UNSPSC

UNSPSC 21.0	43222600
-------------	----------

1105707

<https://www.phoenixcontact.com/us/products/1105707>

Environmental product compliance

EU RoHS

Fulfills EU RoHS substance requirements	Yes
Exemption	6(c)

China RoHS

Environment friendly use period (EFUP)	EFUP-50
	An article-related China RoHS declaration table can be found in the download area for the respective article under "Manufacturer declaration". For all articles with EFUP-E, no China RoHS declaration table issued and required.

EU REACH SVHC

REACH candidate substance (CAS No.)	Lead(CAS: 7439-92-1)
SCIP	35ac8b7c-40b2-4c96-b051-1225006d5723

GW PN/MODBUS 1E/1DB9 - Interface converters



1105707

<https://www.phoenixcontact.com/us/products/1105707>

Accessories

PSM-KA9SUB9/BB/2METER - Data cable

2799474

<https://www.phoenixcontact.com/us/products/2799474>

RS-232 cable, 9-pos. D-SUB socket on 9-pos. D-SUB socket, 9-wire, 1:1



SUBCON 9/F-SH - D-SUB bus connector

2761499

<https://www.phoenixcontact.com/us/products/2761499>

D-SUB plug, 9-pos. female connector, one 35° cable entry, universal type for all systems, pin assignment: 1, 2, 3, 4, 5, 6, 7, 8, 9 to screw connection terminal block



GW PN/MODBUS 1E/1DB9 - Interface converters



1105707

<https://www.phoenixcontact.com/us/products/1105707>

SUBCON-PLUS-F/AX 9 - D-SUB bus connector

2311797

<https://www.phoenixcontact.com/us/products/2311797>



D-SUB connector, 9-pos. female connector, axial version with two cable entries, universal type for all systems, pin assignment: 1, 2, 3, 4, 5, 6, 7, 8, 9 to screw connection terminal block

PSM-AD-D9-NULLMODEM - Adapter

2708753

<https://www.phoenixcontact.com/us/products/2708753>

V.24 (RS-232) zero modem connector



GW PN/MODBUS 1E/1DB9 - Interface converters



1105707

<https://www.phoenixcontact.com/us/products/1105707>

FL CAT5 PATCH 0,5 - Patch cable

2832263

<https://www.phoenixcontact.com/us/products/2832263>

Patch cable, CAT5, assembled, 0.5 m



FL CAT5 PATCH 5,0 - Patch cable

2832580

<https://www.phoenixcontact.com/us/products/2832580>

Patch cable, CAT5, assembled, 5 m



GW PN/MODBUS 1E/1DB9 - Interface converters



1105707

<https://www.phoenixcontact.com/us/products/1105707>

FL SWITCH SFN 5TX - Industrial Ethernet Switch

2891152

<https://www.phoenixcontact.com/us/products/2891152>



Ethernet switch, 5 TP RJ45 ports, automatic detection of data transmission speed of 10 or 100 Mbps (RJ45), autocrossing function

DT-LAN-CAT.6+ - Surge protection device

2881007

<https://www.phoenixcontact.com/us/products/2881007>



Surge protection in accordance with Class E_A (CAT6_A), for Gigabit Ethernet (up to 10 Gbps), token ring, FDDI/CDDI, ISDN, and DS1. Suitable for Power over Ethernet (PoE++ / 4PPoE) "Mode A" and "Mode B". RJ45 attachment plug with separate grounding cable and ground connection snap-on foot for NS 35 DIN rails.

GW PN/MODBUS 1E/1DB9 - Interface converters



1105707

<https://www.phoenixcontact.com/us/products/1105707>

SUBCON-PLUS 9/F - D-SUB bus connector

2744241

<https://www.phoenixcontact.com/us/products/2744241>



D-SUB connector, 9-pos. female connector, two 35° cable entries, universal type for all systems, pin assignment: 1, 2, 3, 4, 5, 6, 7, 8, 9 to one screw connection terminal block

SUBCON-PLUS F2 - D-SUB bus connector

2799490

<https://www.phoenixcontact.com/us/products/2799490>



D-SUB connector, 9-pos. female connector, two 35° cable entries, bus system: CAN, SUCONET K1, K2 (MOELLER), S-BUS (Saia), J-BUS (Merlin Gerin), pin assignment: 2, 3, 4, 5, 7, 9 to two screw connection terminal blocks

GW PN/MODBUS 1E/1DB9 - Interface converters



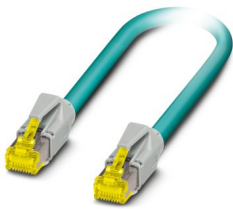
1105707

<https://www.phoenixcontact.com/us/products/1105707>

NBC-R4AC-R4AC-IE8A/.../... - Patch cable

1411854

<https://www.phoenixcontact.com/us/products/1411854>

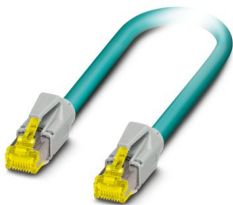


Patch cable, degree of protection: IP20, number of positions: 8, 10 Gbps, CAT6_A, cable outlet: straight, Ethernet

NBC-R4AC/10G-R4AC/10G-94F/3,0 - Patch cable

1408365

<https://www.phoenixcontact.com/us/products/1408365>



Patch cable, CAT6_A, 4-pair, shielded, connection not crossed (line), assembled at both ends with RJ45/IP20 connectors, outer sheath material: PUR, length: 3.0 m

GW PN/MODBUS 1E/1DB9 - Interface converters



1105707

<https://www.phoenixcontact.com/us/products/1105707>

VS-08-RJ45-5-Q/IP20 - RJ45 connector

1656725

<https://www.phoenixcontact.com/us/products/1656725>



RJ45 connector, design: RJ45, degree of protection: IP20, number of positions: 8, 1 Gbps, CAT5, material: Plastic, connection method: Insulation displacement connection, connection cross section: AWG 26- 23, cable outlet: straight, color: traffic grey A RAL 7042, Ethernet

VS-08-RJ45-10G/Q - RJ45 connector

1419001

<https://www.phoenixcontact.com/us/products/1419001>



RJ45 connector, design: RJ45, degree of protection: IP20, number of positions: 8, 10 Gbps, CAT6_A, material: Plastic, connection method: Insulation displacement connection, connection cross section: AWG 26- 24, cable outlet: straight, color: black, Ethernet

GW PN/MODBUS 1E/1DB9 - Interface converters



1105707

<https://www.phoenixcontact.com/us/products/1105707>

VS-09-BU-DSUB-EG - Contact insert

1688803

<https://www.phoenixcontact.com/us/products/1688803>



D-SUB contact insert, shell size 1, with nine signal contacts, type of contact socket, with solder cup, straight, fixing with a 3 mm hole, for panel mounting frame and sleeve housing VS-09-...

VS-09-ST-DSUB-EG - Contact insert

1688793

<https://www.phoenixcontact.com/us/products/1688793>



D-SUB contact insert, shell size 1, with nine signal contacts, type of contact pin, with solder cup, straight, fixing with a 3 mm hole, for panel mounting frame and sleeve housing VS-09-...

GW PN/MODBUS 1E/1DB9 - Interface converters



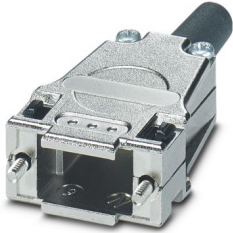
1105707

<https://www.phoenixcontact.com/us/products/1105707>

CUC-DST-GZNI-S/DSSC9 - D-SUB sleeve housings

1419722

<https://www.phoenixcontact.com/us/products/1419722>



D-SUB sleeve housings, degree of protection: IP20, material: Zinc die-cast, cable outlet: straight, housing size: 1, color: Bare metallic

CUC-DST-GPME-S/DSSC9 - D-SUB sleeve housings

1419705

<https://www.phoenixcontact.com/us/products/1419705>



D-SUB sleeve housings, degree of protection: IP20, material: ABS, metal-plated, cable outlet: straight, housing size: 1, color: Bare metallic

GW PN/MODBUS 1E/1DB9 - Interface converters



1105707

<https://www.phoenixcontact.com/us/products/1105707>

NBC-R4AC/1,0-93B/R4AC - Patch cable

1408968

<https://www.phoenixcontact.com/us/products/1408968>



Patch cable, degree of protection: IP20, cable length: 1 m, number of positions: 4, 100 Mbps, CAT5, material: PA 6.6, PROFINET

NBC-R4AC/2,0-93B/R4AC - Patch cable

1408969

<https://www.phoenixcontact.com/us/products/1408969>



Patch cable, degree of protection: IP20, cable length: 2 m, number of positions: 4, 100 Mbps, CAT5, material: PA 6.6, PROFINET

GW PN/MODBUS 1E/1DB9 - Interface converters



1105707

<https://www.phoenixcontact.com/us/products/1105707>

VS-PN-RJ45-5-Q/IP20 - RJ45 connector

1658435

<https://www.phoenixcontact.com/us/products/1658435>



RJ45 connector, design: RJ45, degree of protection: IP20, number of positions: 4, 100 Mbps, CAT5, material: Plastic, connection method: Insulation displacement connection, cable outlet: straight, color: traffic grey A RAL 7042, PROFINET

PSM-ME-RS232/RS232-P - Interface converter

2744461

<https://www.phoenixcontact.com/us/products/2744461>



Interface converter, for the isolation of RS-232 (V.24) interfaces, 4 channels, rail-mountable

GW PN/MODBUS 1E/1DB9 - Interface converters



1105707

<https://www.phoenixcontact.com/us/products/1105707>

PSM-ME-RS485/RS485-P - Repeater

2744429

<https://www.phoenixcontact.com/us/products/2744429>



Repeater, for potential separation and range increase in RS-485 2-wire bus systems, 3-way isolation, rail-mountable

TTC-6P-3-HF-F-M-24DC-PT-I - Surge protection device

2906797

<https://www.phoenixcontact.com/us/products/2906797>



Surge protection, consisting of protective plug and base element, with integrated status indicator and knife disconnection for three signal wires with common reference potential. For HF applications and telecommunications interfaces without supply voltage. Indirect grounding via gas discharge tube, EX e approval for zone 2. Can be used in safety-related circuits up to SIL 3.

GW PN/MODBUS 1E/1DB9 - Interface converters



1105707

<https://www.phoenixcontact.com/us/products/1105707>

TTC-6P-3-HF-F-M-12DC-UT-I - Surge protection device

2906786

<https://www.phoenixcontact.com/us/products/2906786>



Surge protection, consisting of protective plug and base element, with integrated status indicator and knife disconnection for three signal wires with common reference potential. For HF applications and telecommunications interfaces without supply voltage. Indirect grounding via gas discharge tube, EX e approval for zone 2. Can be used in safety-related circuits up to SIL 3.

Phoenix Contact 2024 © - all rights reserved

<https://www.phoenixcontact.com>

Phoenix Contact USA
586 Fulling Mill Road
Middletown, PA 17057, United States
(+717) 944-1300
info@phoenixcon.com