

Slider Module

Technical Information

1949 Keating Cross Rd
 Saanichton, B.C.
 Canada V8M 2A4

Phone: (250) 544-2207
 Fax: (250) 544-2279
 www.suregripcontrols.com



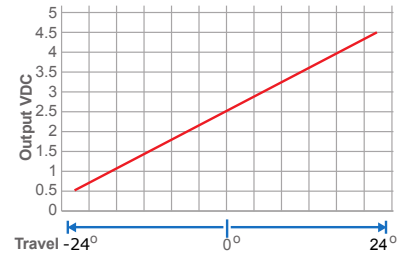
Slider Module Description

The Slider Module is a Proportional Hall Effect module available in three configurations. These compact proportional modules are designed for applications such as grapples, bucket thumbs, grab and tilt or rotate functions that will benefit from simple speed control.

Single Axis-Proportional

- ❶ **Part #: SM2-P1-3MO**
 - Operation Proportional: Spring return to center
- ❷ **Part #: SM2-P1-3MA**
 - Operation: 3 position detented (on-off-on)

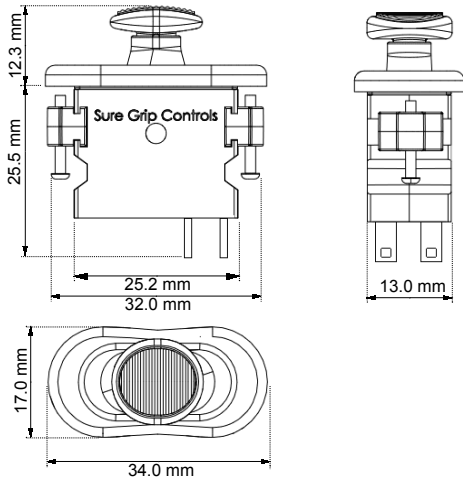
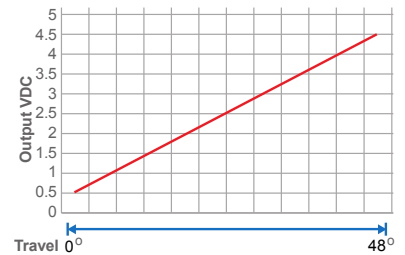
Output: 0.5 - 2.5 - 4.5 VDC
 Travel: +/- 24°



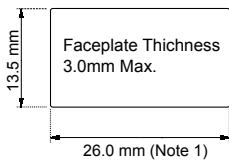
Single Axis-Friction-Maintained

- ❸ **Part #: SM2-P1-F**
 - Operation: Friction Maintained

Output: 0.5 - 4.5 VDC (+/-0.2)
 Travel: 0° -48°

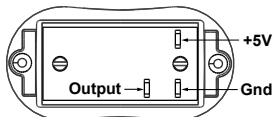


Slider Module Cutout



Note 1: Previous cutout dimension 25mm X 13mm.

Slider Module Pinout



General Specifications

Parameter	Min	Typ	Max	Units
Input Power Supply:				
Supply Voltage	4.9	5	5.1	Vdc
Supply Current	8	10	12	Ma
Control Output:				
Output Voltage Low	0.45	0.5	0.7	Vdc
Output Voltage Mid	2.3	2.5	2.7	Vdc
Output Voltage High	4.3	4.5	4.55	Vdc
Output Load	1		10	Kohm
Mechanical Specifications:				
Travel from center to maximum deflection	24			Degrees
Cycle life	> 4 million cycles			
Environmental Specifications:				
Operating Temperature Range	-40 to +70			Degrees C
Ingress Rating	IP67			