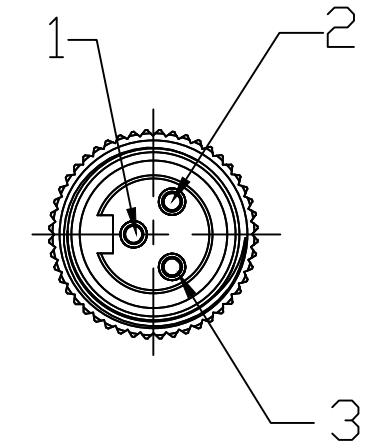
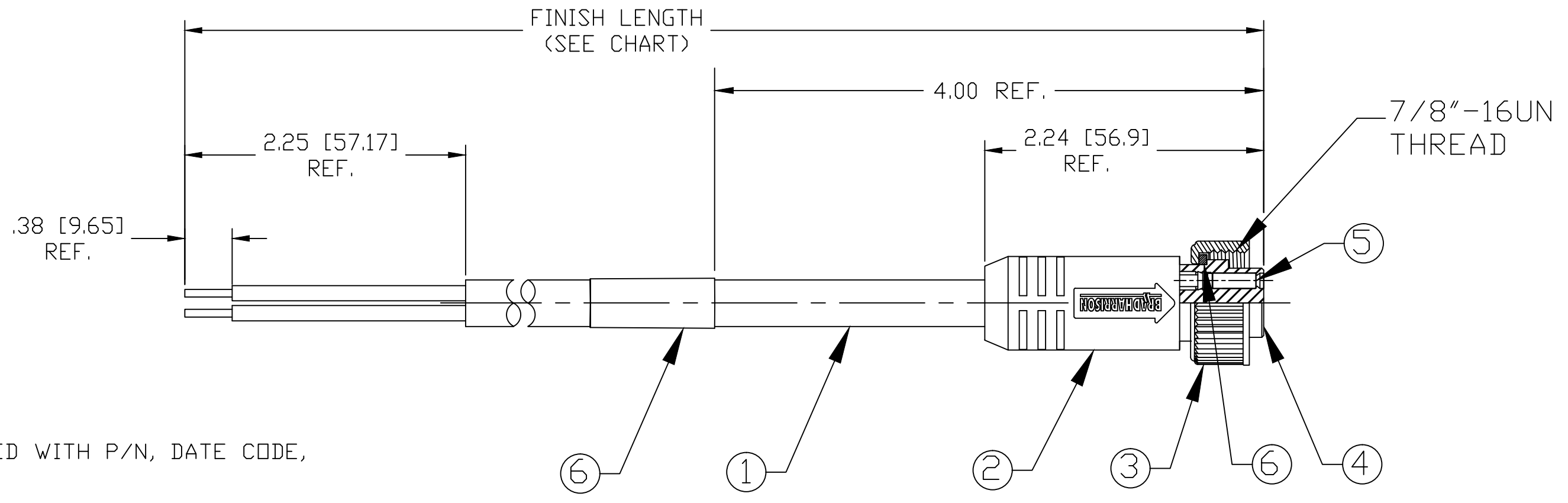


PART NUMBER	ENGINEERING NUMBER	FINISH LENGTH
1300062275	50996-030	3.00' +1.75" -0 [0.9M +44.5 -0]
1300062296	50996-040	4.00' +2.19" -0 [1.2M +55.6 -0]
1300061890	50996-060	6.00' +2.19" -0 [1.8M +55.6 -0]
1300061891	50996-065	6.50' +3.50" -0 [2.0M +88.9 -0]
1300062346	50996-080	8.00' +3.50" -0 [2.4M +88.9 -0]
1300061892	50996-120	12.00' +3.50" -0 [3.7M +88.9 -0]
1300061893	50996-150	15.00' +6.50" -0 [4.6M +165.1 -0]



FEMALE FACE VIEW



WIRING DIAGRAM

- NOTE
- 1) MATERIAL: SEE TABLE
 - 2) FINISHES: SEE TABLE
 - 3) WRAP LABEL IS MARKED WITH P/N, DATE CODE, VOLTAGE & AMPERAGE
 - 4) MATES WITH: MINI CHANGE, 3 POLE RECEPTACLE
 - 5) ELECTRICAL DATA:
 INLINE CORDSET
 FEMALE A-SIZE WITH FLYING LEADS
 16AWG UNSHIELDED
 MAX. VOLTAGE: 600V
 MAX. CURRENT 13A
 PROTECTION IP67
 TEMPERATURE RANGE: -20°C TO 105°C
 - 6) PACKAGING:
 CABLE ASSEMBLIES ARE BAGGED SEPERATELY
 IN POLY BAGS WITH BAR CODE LABEL ATTACHED
 TO OUTSIDE OF BAG.
 - 7) ASSEMBLY IS RoHS COMPLIANT.
 - 8) CERTIFICATION
 UL RECOGNIZED, FILE NO. E152210

ITEM	QTY.	DESCRIPTION	MATERIAL	FINISH
7	1	LABEL	VINYL	BLACK/YELLOW
6	1	FRICITION RING	NYLON	WHITE
5	3	CONTACT SOCKET	COPPER ALLOY	GOLD PLATED
4	1	INSERT	PVC	YELLOW
3	1	COUPLING NUT	ZINC DIE CAST	BLACK E-COATED
2	1	OVERMOLD	PVC	BLACK
1	1	CABLE, 16AWG-3 TYPE STDDW	PVC	BLACK

ADD P/Ns FOR 3, 4 & 6.5 FT EC NO: IFC2015-1814 DRWN: RSTONE 4/16/15 CHKD: BW 2013/08/01 APPR: KJOZWIK 2010/01/07	QUALITY SYMBOL	GENERAL TOLERANCES (UNLESS SPECIFIED)	DIMENSION STYLE	SCALE	DESIGN UNITS	THIRD ANGLE PROJECTION																											
	$\nabla=0$ $\nabla C=0$	<table border="1"> <thead> <tr> <th></th> <th>mm</th> <th>INCH</th> </tr> </thead> <tbody> <tr> <td>4 PLACES</td> <td>±---</td> <td>±---</td> </tr> <tr> <td>3 PLACES</td> <td>±---</td> <td>±.005</td> </tr> <tr> <td>2 PLACES</td> <td>±0.13</td> <td>±.010</td> </tr> <tr> <td>1 PLACE</td> <td>±0.25</td> <td>±.020</td> </tr> </tbody> </table>		mm	INCH	4 PLACES	±---	±---	3 PLACES	±---	±.005	2 PLACES	±0.13	±.010	1 PLACE	±0.25	±.020	<table border="1"> <thead> <tr> <th>IN/MM</th> <th>DATE</th> </tr> </thead> <tbody> <tr> <td>DRAWN BY</td> <td>DATE</td> </tr> <tr> <td>CHECKED BY</td> <td>DATE</td> </tr> <tr> <td>VOU</td> <td>2009/12/30</td> </tr> <tr> <td>APPROVED BY</td> <td>DATE</td> </tr> <tr> <td>JFMURPHY</td> <td>2010/01/07</td> </tr> </tbody> </table>	IN/MM	DATE	DRAWN BY	DATE	CHECKED BY	DATE	VOU	2009/12/30	APPROVED BY	DATE	JFMURPHY	2010/01/07	<table border="1"> <thead> <tr> <th>TITLE</th> </tr> </thead> <tbody> <tr> <td>MINI CHANGE ASSEMBLY 3-POLE FEMALE ST BLK 16/3AWG BLACK PVC</td> </tr> </tbody> </table>	TITLE	MINI CHANGE ASSEMBLY 3-POLE FEMALE ST BLK 16/3AWG BLACK PVC
		mm	INCH																														
	4 PLACES	±---	±---																														
3 PLACES	±---	±.005																															
2 PLACES	±0.13	±.010																															
1 PLACE	±0.25	±.020																															
IN/MM	DATE																																
DRAWN BY	DATE																																
CHECKED BY	DATE																																
VOU	2009/12/30																																
APPROVED BY	DATE																																
JFMURPHY	2010/01/07																																
TITLE																																	
MINI CHANGE ASSEMBLY 3-POLE FEMALE ST BLK 16/3AWG BLACK PVC																																	
	ANGULAR ±1/2°	<table border="1"> <thead> <tr> <th>MATERIAL NO.</th> <th>DOCUMENT NO.</th> <th>SHEET NO.</th> </tr> </thead> <tbody> <tr> <td>SEE CHART</td> <td>SD-130006-034</td> <td>1 OF 1</td> </tr> </tbody> </table>	MATERIAL NO.	DOCUMENT NO.	SHEET NO.	SEE CHART	SD-130006-034	1 OF 1																									
MATERIAL NO.	DOCUMENT NO.	SHEET NO.																															
SEE CHART	SD-130006-034	1 OF 1																															
	DRAFT WHERE APPLICABLE MUST REMAIN WITHIN DIMENSIONS	THIS DRAWING CONTAINS INFORMATION THAT IS PROPRIETARY TO MOLEX INCORPORATED AND SHOULD NOT BE USED WITHOUT WRITTEN PERMISSION																															
		SIZE C																															

Mouser Electronics

Authorized Distributor

Click to View Pricing, Inventory, Delivery & Lifecycle Information:

[Molex:](#)

[1300062296](#) [1300062275](#) [1300061892](#) [1300061893](#)