

# S05 SERIES MATRIX

**S 0 5 2 0 7 T A 1 2 2 \* \***

SERIES:  
S05- INTERNAL THREAD  
FORM C

POLES:  
2-2 POLE

THREAD:  
07-PG7  
M2-M12X1.5

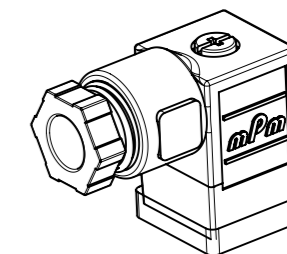
MATERIAL AND  
HOUSING COLOUR:  
T-TRANSPARENT

CIRCUIT:  
SEE DETAILS  
IN CATALOGUE

VOLTAGE:  
SEE DETAILS  
IN CATALOGUE

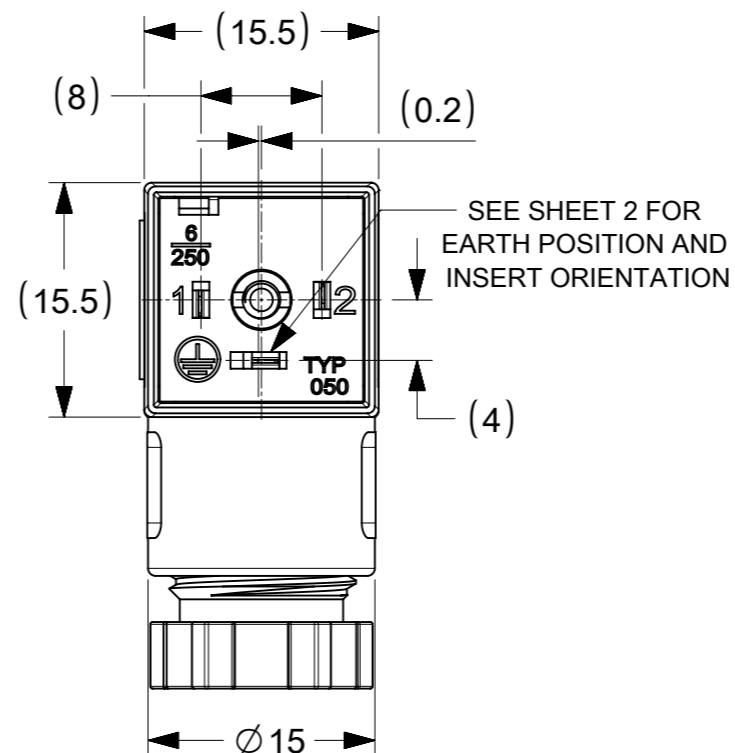
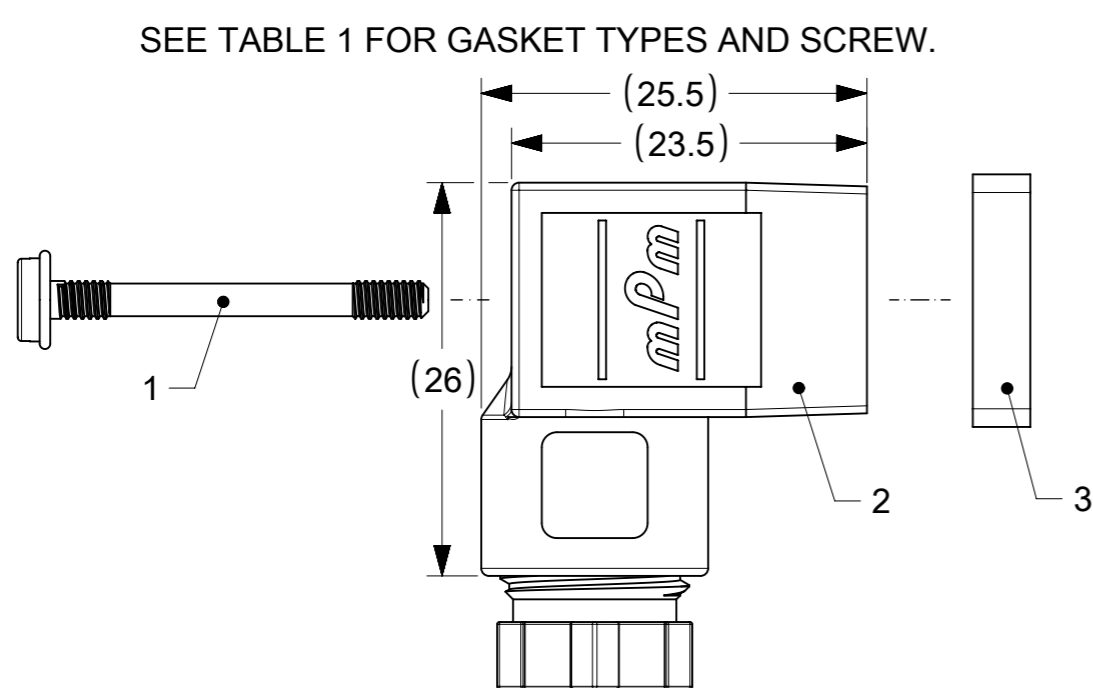
SCREW AND GASKET:  
1- NBR PROFILE GASKET & SCREW  
2- NBR FLAT GASKET & SCREW

NON STANDARD COMPONENTS:  
14-PACKED IN NEUTRAL BAG  
SA-UL LISTED



SCALE 1:1

SEE TABLE 1 FOR GASKET TYPES AND SCREW.



GASKET HIDDEN FOR CLARITY

ITEM	DESCRIPTION/OPIS
1	SCREW
2	COVER+INSERT ASSEMBLY
3	GASKET

TABLE 1

PROFILED GASKET	FLAT GASKET	SCREW M2.5x25

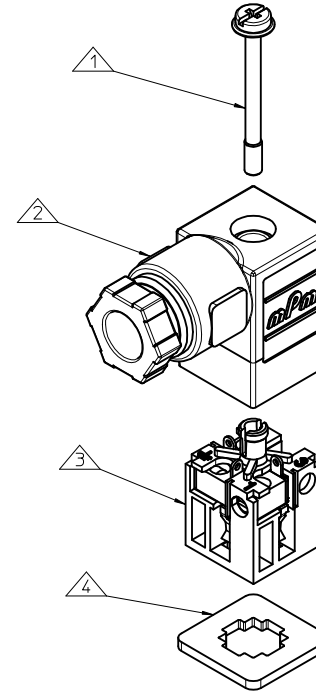
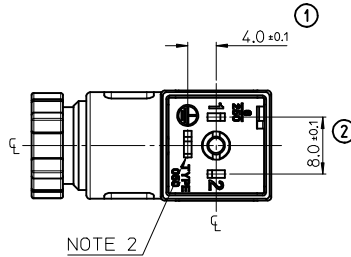
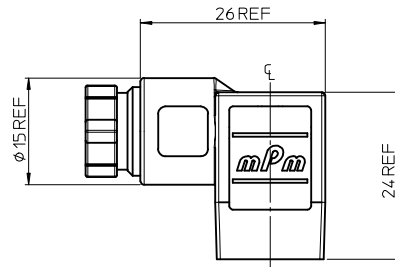
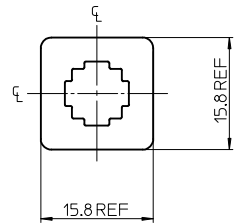
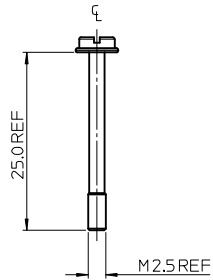
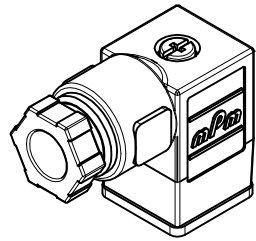
TECHNICAL SPECIFICATION:

OPERATING CURRENT: 10A  
CONTACT RESISTANCE: <15 mOhms MAX.

OPERATING TEMPERATURE:  
NBR GASKET: -40° TO +90°C  
SILICONE GASKET: -40° TO +125°C

<b>SYMBOLS</b> DIMENSION UNITS: mm SCALE: 2:1 GENERAL TOLERANCES (UNLESS SPECIFIED): ANGULAR TOL: ± 1.0° 4 PLACES: ± 3 PLACES: ± 2 PLACES: ± 0.05 1 PLACE: ± 0.3 0 PLACES: ± 0.5 DRAFT WHERE APPLICABLE MUST REMAIN WITHIN DIMENSIONS	THIS DRAWING CONTAINS INFORMATION THAT IS PROPRIETARY TO MOLEX ELECTRONIC TECHNOLOGIES, LLC AND SHOULD NOT BE USED WITHOUT WRITTEN PERMISSION		CURRENT REV DESC: INITIAL RELEASE		
	EC NO: 613943 DRWN: MDHARMANTI 2018/12/03 CHK'D: RSILLER 2019/03/19 APPR: RSILLER 2019/03/19		S052 PG07 TRANS XV LED & VDR		
	INITIAL REVISION: DRWN: MDHARMANTI 2018/12/03 APPR: RSILLER 2019/03/19		PRODUCT CUSTOMER DRAWING		
	DRAFT WHERE APPLICABLE MUST REMAIN WITHIN DIMENSIONS		THIRD ANGLE PROJECTION		
DOCUMENT NUMBER: 1210640168		DOC TYPE: PSD DOC PART: 000 REVISION: A		MATERIAL NUMBER: SEE PART LIST CUSTOMER: GENERAL MARKET SHEET NUMBER: 1 OF 2	
DIMENSION UNITS: mm SCALE: 2:1		DRAWING: A3-SIZE SERIES: 121064		CUSTOMER: GENERAL MARKET	





ITEM	DESCRIPTION
1	SCREW
2	COVER ASSEMBLY
3	INSERT ASSEMBLY
4	GASKET

S05207TA122\*\*

SERIES  
 S05= INTERNAL THREAD FORM C  
 POLES  
 2= 2 POLE & 3= 3 POLE  
 THREAD  
 07= PG7, M2= M12x15  
 MATERIAL AND HOUSING COLOUR  
 G= PA6 GRAY, N= PA6 BLACK, W= PA6 BLACK V0, T= TRANSPARENT  
 CIRCUIT  
 SEE DETAILS IN CATALOGUE  
 VOLTAGE  
 SEE DETAILS IN CATALOGUE  
 SCREW AND GASKET  
 1= NBR PROFILE GASKET & SCREW  
 2= NBR FLAT GASKET & SCREW  
 3= WHITE SILICON PROFILE GASKET & SCREW  
 4= WHITE SILICON FLAT GASKET & SCREW  
 NON STANDARD COMPONENTS  
 14= PACKED IN NEUTRAL BAG  
 5N= PACKED IN BOXES OF 200

NOTES

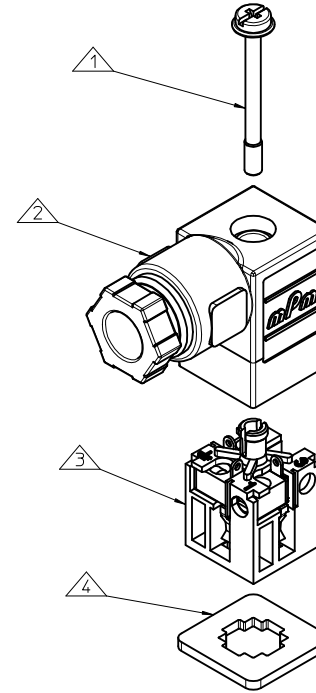
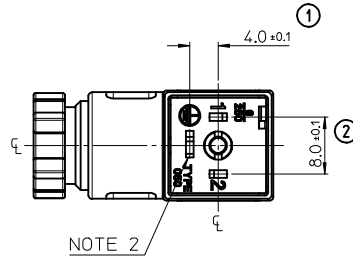
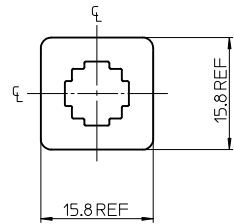
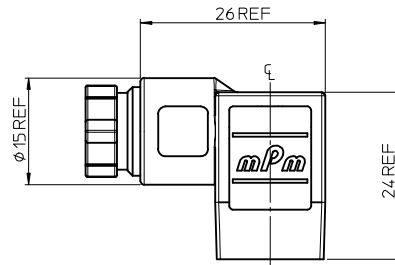
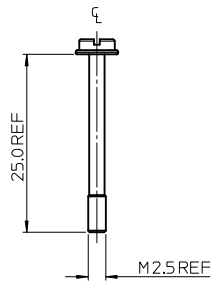
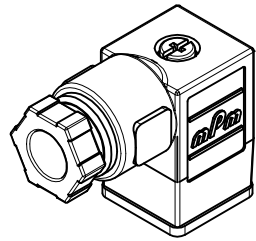
- PLEASE SEE SHEET 2 FOR CURRENTLY CONFIGURED PART NUMBERS. FOR SPECIFIC PART NUMBERS PLEASE CONTACT SALES OR CONSULT THE INTELLIGENT PART NUMBERS IN THE TABLE ATTACHED.
- EARTH POSITION SHOWN, H6.
- FOR PACKAGING SEE PACKAGING SPEC PK-121065-S05
- PRODUCT SPEC: SEE PS-121201-001

LAST INSPECTION NUMBER 2

ADDED PART NUMBER	DESCRIPTION	QUALITY SYMBOLS		GENERAL TOLERANCES (UNLESS SPECIFIED)		DIMENSION STYLE		SCALE	DESIGN UNITS	THIRD ANGLE PROJECTION
		mm	INCH	mm	INCH	MM ONLY	2:1	METRIC	THIRD ANGLE PROJECTION	
EC NO: IFC2013-0751	2012/11/21	DRWN:DSHEA	2012/11/23	CHKD:DMAHER	2012/11/23	APPR:STGRIFLIN	2012/12/05			
4 PLACES	±---	±---				DRAWN BY	DATE	TITLE	S05 SERIES INTERNAL THREAD	
3 PLACES	±---	±---				JOCONNOR	2011/05/11			
2 PLACES	±0.1	±---				CHECKED BY	DATE			
1 PLACE	±0.2	±---				DMAHER	2011/05/11			
	ANGULAR	±---°				APPROVED BY	DATE			
						EFOLAN	2011/05/25			
						MATERIAL NO.			MOLEX INCORPORATED	
						SEE SHEET 2			DOCUMENT NO.	SHEET NO.
									SD-121064-001	1 OF 2
						THIS DRAWING CONTAINS INFORMATION THAT IS PROPRIETARY TO MOLEX INCORPORATED AND SHOULD NOT BE USED WITHOUT WRITTEN PERMISSION				

PART No.	mPm PART No.	DESCRIPTION	CIRCUIT	VOLTAGE	INDICATOR
1210640155	S05207TA022	TYPE C 2P PG7 TRANSPARENT NBR FLAT GASKET	A0	24V	RED LED/LAMP
1210640159	S05207TA122	TYPE C 2P PG7 TRANSPARENT NBR FLAT GASKET	A1	24V	RED LED
1210640160	S05207TA142	TYPE C 2P PG7 TRANSPARENT NBR FLAT GASKET	A1	115V	RED LED
1210640161	S05207TA152	TYPE C 2P PG7 TRANSPARENT NBR FLAT GASKET	A1	230V	RED LED
1210641267	S05207TA1H2	TYPE C 2P PG7 TRANSPARENT NBR FLAT GASKET	A1	24V	AMBER LED
1210641318	S05207TA121	TYPE C 2P PG7 TRANSPARENT NBR PROFILE GASKET	A1	24V	RED LED
1210641485	S05207TA1B1	TYPE C 2P PG7 TRANSPARENT NBR PROFILE GASKET	A1	24V	GREEN LED
1210641564	S05207TA1B2	TYPE C 2P PG7 TRANSPARENT NBR FLAT GASKET	A1	24V	GREEN LED
1210641565	S05207TA1E2	TYPE C 2P PG7 TRANSPARENT NBR FLAT GASKET	A1	230V	GREEN LED
1210641731	S05207TA1H1	TYPE C 2P PG7 TRANSPARENT NBR PROFILE GASKET	A1	24V	AMBER LED
1210641732	S05207TA1L1	TYPE C 2P PG7 TRANSPARENT NBR PROFILE GASKET	A1	115V	AMBER LED
1210641745	S05207TA1L2	TYPE C 2P PG7 TRANSPARENT NBR FLAT GASKET	A1	115V	AMBER LED
1210640164	S05207TC322	TYPE C 2P PG7 TRANSPARENT NBR FLAT GASKET	C3	24V	RED LED
1210640165	S05207TC3H1	TYPE C 2P PG7 TRANSPARENT NBR PROFILE GASKET	C3	24V	AMBER LED
1210641396	S05207TC321	TYPE C 2P PG7 TRANSPARENT NBR PROFILE GASKET	C3	24V	RED LED
1210641730	S05207TC3H2	TYPE C 2P PG7 TRANSPARENT NBR FLAT GASKET	C3	24V	AMBER LED
1210640167	S05207TC421	TYPE C 2P PG7 TRANSPARENT NBR PROFILE GASKET	C4	24V	RED LED
1210640168	S05207TC422	TYPE C 2P PG7 TRANSPARENT NBR FLAT GASKET	C4	24V	RED LED
1210640169	S05207TC4225N	TYPE C 2P PG7 TRANSPARENT NBR FLAT GASKET IN BOX OF 200	C4	24V	RED LED
1210640171	S05207TC442	TYPE C 2P PG7 TRANSPARENT NBR FLAT GASKET	C4	115V	RED LED
1210640172	S05207TC452	TYPE C 2P PG7 TRANSPARENT NBR FLAT GASKET	C4	230V	RED LED
1210640173	S05207TC4B2	TYPE C 2P PG7 TRANSPARENT NBR FLAT GASKET	C4	24V	GREEN LED
1210640175	S05207TC4D2	TYPE C 2P PG7 TRANSPARENT NBR FLAT GASKET	C4	115V	GREEN LED
1210640179	S05207TC4H2	TYPE C 2P PG7 TRANSPARENT NBR FLAT GASKET	C4	24V	AMBER LED
1210640181	S05207TC4L2	TYPE C 2P PG7 TRANSPARENT NBR FLAT GASKET	C4	115V	AMBER LED
1210640182	S05207TC4M2	TYPE C 2P PG7 TRANSPARENT NBR FLAT GASKET	C4	230V	AMBER LED
1210641245	S05207TC4B1	TYPE C 2P PG7 TRANSPARENT NBR PROFILE GASKET	C4	24V	GREEN LED
1210641253	S05207TC4H1	TYPE C 2P PG7 TRANSPARENT NBR PROFILE GASKET	C4	24V	AMBER LED
1210641446	S05207TC4M1	TYPE C 2P PG7 TRANSPARENT NBR PROFILE GASKET	C4	230V	AMBER LED
1210641459	S05207TC4Z4	TYPE C 2P PG7 TRANSPARENT WHITE SILICON FLAT GASKET	C4	24V	RED LED
1210641486	S052M2TC4B1	TYPE C 2P M12x1.5 TRANSPARENT NBR PROFILE GASKET	C4	24V	GREEN LED
1210641751	S05207TC4K2	TYPE C 2P PG7 TRANSPARENT NBR FLAT GASKET	C4	48V	AMBER LED
1210650105	S05207TC42214	TYPE C 2P PG7 TRANSPARENT NBR FLAT GASKET IN NEUTRAL BAG	C4	24V	RED LED
1210650552	S05207TC4525N	TYPE C 2P PG7 TRANSPARENT NBR FLAT GASKET IN BOX OF 200	C4	230V	RED LED
1210640183	S05207TS0H1	TYPE C 2P PG7 TRANSPARENT NBR PROFILE GASKET	S0	24V	AMBER LED
1210641799	S052M2TC322	TYPE C 2P M12x1.5 TRANSPARENT NBR FLAT GASKET	C3	24V	RED LED

<b>SEE SHEET 1</b> EC NO: IPG2013-0751 DRWNG:JSHEA 2012/11/21 CHKD:DMAHER 2012/11/23 APPR:SGRIFFIN 2012/12/05	<b>QUALITY SYMBOLS</b> =0 =0	<b>GENERAL TOLERANCES (UNLESS SPECIFIED)</b> <table border="1"> <tr> <td></td> <td>mm</td> <td>INCH</td> </tr> <tr> <td>4 PLACES</td> <td>± .005</td> <td>± .0004</td> </tr> <tr> <td>3 PLACES</td> <td>± .005</td> <td>± .0004</td> </tr> <tr> <td>2 PLACES</td> <td>± 0.1</td> <td>± .004</td> </tr> <tr> <td>1 PLACE</td> <td>± 0.2</td> <td>± .008</td> </tr> </table>		mm	INCH	4 PLACES	± .005	± .0004	3 PLACES	± .005	± .0004	2 PLACES	± 0.1	± .004	1 PLACE	± 0.2	± .008	<b>DIMENSION STYLE</b> <b>MM ONLY</b>	<b>SCALE</b> <b>2:1</b>	<b>DESIGN UNITS</b> <b>METRIC</b>	<b>THIRD ANGLE PROJECTION</b>
		mm	INCH																		
	4 PLACES	± .005	± .0004																		
	3 PLACES	± .005	± .0004																		
2 PLACES	± 0.1	± .004																			
1 PLACE	± 0.2	± .008																			
		<table border="1"> <tr> <td>DRAWN BY</td> <td>DATE</td> <td>TITLE</td> </tr> <tr> <td>JOCONNOR</td> <td>2011/05/11</td> <td rowspan="3" style="text-align: center; vertical-align: middle;"> <b>S05 SERIES INTERNAL THREAD</b> </td> </tr> <tr> <td>CHECKED BY</td> <td>DATE</td> </tr> <tr> <td>DMAHER</td> <td>2011/05/11</td> </tr> </table>	DRAWN BY	DATE	TITLE	JOCONNOR	2011/05/11	<b>S05 SERIES INTERNAL THREAD</b>	CHECKED BY	DATE	DMAHER	2011/05/11									
DRAWN BY	DATE	TITLE																			
JOCONNOR	2011/05/11	<b>S05 SERIES INTERNAL THREAD</b>																			
CHECKED BY	DATE																				
DMAHER	2011/05/11																				
		<table border="1"> <tr> <td>APPROVED BY</td> <td>DATE</td> </tr> <tr> <td>EFOLAN</td> <td>2011/05/25</td> </tr> </table>	APPROVED BY	DATE	EFOLAN	2011/05/25	<b>MOLEX INCORPORATED</b>														
APPROVED BY	DATE																				
EFOLAN	2011/05/25																				
		<b>DRAFT WHERE APPLICABLE MUST REMAIN WITHIN DIMENSIONS</b>	<b>SEE CHART</b> SIZE A 2	MATERIAL NO. SD-121064-001 DOCUMENT NO.	SHEET NO. 2 OF 2																
THIS DRAWING CONTAINS INFORMATION THAT IS PROPRIETARY TO MOLEX INCORPORATED AND SHOULD NOT BE USED WITHOUT WRITTEN PERMISSION																					



ITEM	DESCRIPTION
1	SCREW
2	COVER ASSEMBLY
3	INSERT ASSEMBLY
4	GASKET

S05207TA122\*\*

SERIES  
 S05= INTERNAL THREAD FORM C  
 POLES  
 2= 2 POLE & 3= 3 POLE  
 THREAD  
 07= PG7, M2= M12x15  
 MATERIAL AND HOUSING COLOUR  
 G= PA6 GRAY, N= PA6 BLACK, W= PA6 BLACK V0, T= TRANSPARENT  
 CIRCUIT  
 SEE DETAILS IN CATALOGUE  
 VOLTAGE  
 SEE DETAILS IN CATALOGUE  
 SCREW AND GASKET  
 1= NBR PROFILE GASKET & SCREW  
 2= NBR FLAT GASKET & SCREW  
 3= WHITE SILICON PROFILE GASKET & SCREW  
 4= WHITE SILICON FLAT GASKET & SCREW  
 NON STANDARD COMPONENTS  
 14= PACKED IN NEUTRAL BAG  
 5N= PACKED IN BOXES OF 200

NOTES

- PLEASE SEE SHEET 2 FOR CURRENTLY CONFIGURED PART NUMBERS. FOR SPECIFIC PART NUMBERS PLEASE CONTACT SALES OR CONSULT THE INTELLIGENT PART NUMBERS IN THE TABLE ATTACHED.
- EARTH POSITION SHOWN, H6.
- FOR PACKAGING SEE PACKAGING SPEC PK-121065-S05
- PRODUCT SPEC: SEE PS-121201-001

LAST INSPECTION NUMBER 2

ADDED PART NUMBER	DESCRIPTION	QUALITY SYMBOLS		GENERAL TOLERANCES (UNLESS SPECIFIED)		DIMENSION STYLE		SCALE	DESIGN UNITS	THIRD ANGLE PROJECTION	
		mm	INCH	mm	INCH	MM ONLY	2:1	METRIC	THIRD ANGLE PROJECTION		
EC NO: IFC2013-0751	2012/11/21	DRWN:DSHEA	2012/11/23	CHKD:DMAHER	2012/11/23	APPR:STGRIFLIN	2012/12/05				
DRAWN BY		DATE		TITLED		DRAWN BY		DATE		TITLED	
CHECKED BY		DATE		DRAWN BY		DATE		DATE		DATE	
APPROVED BY		DATE		DRAWN BY		DATE		DATE		DATE	
MATERIAL NO.		DATE		DRAWN BY		DATE		DATE		DATE	
ANGULAR ±---°		±---		±---		±---		±---		±---	
DRAFT WHERE APPLICABLE MUST REMAIN WITHIN DIMENSIONS		SEE SHEET 2		SD-121064-001		SD-121064-001		SD-121064-001		SD-121064-001	
SIZE		A2		THIS DRAWING CONTAINS INFORMATION THAT IS PROPRIETARY TO MOLEX INCORPORATED AND SHOULD NOT BE USED WITHOUT WRITTEN PERMISSION		THIS DRAWING CONTAINS INFORMATION THAT IS PROPRIETARY TO MOLEX INCORPORATED AND SHOULD NOT BE USED WITHOUT WRITTEN PERMISSION		THIS DRAWING CONTAINS INFORMATION THAT IS PROPRIETARY TO MOLEX INCORPORATED AND SHOULD NOT BE USED WITHOUT WRITTEN PERMISSION		THIS DRAWING CONTAINS INFORMATION THAT IS PROPRIETARY TO MOLEX INCORPORATED AND SHOULD NOT BE USED WITHOUT WRITTEN PERMISSION	

PART No.	mPm PART No.	DESCRIPTION	CIRCUIT	VOLTAGE	INDICATOR
1210640155	S05207TA022	TYPE C 2P PG7 TRANSPARENT NBR FLAT GASKET	A0	24V	RED LED/LAMP
1210640159	S05207TA122	TYPE C 2P PG7 TRANSPARENT NBR FLAT GASKET	A1	24V	RED LED
1210640160	S05207TA142	TYPE C 2P PG7 TRANSPARENT NBR FLAT GASKET	A1	115V	RED LED
1210640161	S05207TA152	TYPE C 2P PG7 TRANSPARENT NBR FLAT GASKET	A1	230V	RED LED
1210641267	S05207TA1H2	TYPE C 2P PG7 TRANSPARENT NBR FLAT GASKET	A1	24V	AMBER LED
1210641318	S05207TA121	TYPE C 2P PG7 TRANSPARENT NBR PROFILE GASKET	A1	24V	RED LED
1210641485	S05207TA1B1	TYPE C 2P PG7 TRANSPARENT NBR PROFILE GASKET	A1	24V	GREEN LED
1210641564	S05207TA1B2	TYPE C 2P PG7 TRANSPARENT NBR FLAT GASKET	A1	24V	GREEN LED
1210641565	S05207TA1E2	TYPE C 2P PG7 TRANSPARENT NBR FLAT GASKET	A1	230V	GREEN LED
1210641731	S05207TA1H1	TYPE C 2P PG7 TRANSPARENT NBR PROFILE GASKET	A1	24V	AMBER LED
1210641732	S05207TA1L1	TYPE C 2P PG7 TRANSPARENT NBR PROFILE GASKET	A1	115V	AMBER LED
1210641745	S05207TA1L2	TYPE C 2P PG7 TRANSPARENT NBR FLAT GASKET	A1	115V	AMBER LED
1210640164	S05207TC322	TYPE C 2P PG7 TRANSPARENT NBR FLAT GASKET	C3	24V	RED LED
1210640165	S05207TC3H1	TYPE C 2P PG7 TRANSPARENT NBR PROFILE GASKET	C3	24V	AMBER LED
1210641396	S05207TC321	TYPE C 2P PG7 TRANSPARENT NBR PROFILE GASKET	C3	24V	RED LED
1210641730	S05207TC3H2	TYPE C 2P PG7 TRANSPARENT NBR FLAT GASKET	C3	24V	AMBER LED
1210640167	S05207TC421	TYPE C 2P PG7 TRANSPARENT NBR PROFILE GASKET	C4	24V	RED LED
1210640168	S05207TC422	TYPE C 2P PG7 TRANSPARENT NBR FLAT GASKET	C4	24V	RED LED
1210640169	S05207TC4225N	TYPE C 2P PG7 TRANSPARENT NBR FLAT GASKET IN BOX OF 200	C4	24V	RED LED
1210640171	S05207TC442	TYPE C 2P PG7 TRANSPARENT NBR FLAT GASKET	C4	115V	RED LED
1210640172	S05207TC452	TYPE C 2P PG7 TRANSPARENT NBR FLAT GASKET	C4	230V	RED LED
1210640173	S05207TC4B2	TYPE C 2P PG7 TRANSPARENT NBR FLAT GASKET	C4	24V	GREEN LED
1210640175	S05207TC4D2	TYPE C 2P PG7 TRANSPARENT NBR FLAT GASKET	C4	115V	GREEN LED
1210640179	S05207TC4H2	TYPE C 2P PG7 TRANSPARENT NBR FLAT GASKET	C4	24V	AMBER LED
1210640181	S05207TC4L2	TYPE C 2P PG7 TRANSPARENT NBR FLAT GASKET	C4	115V	AMBER LED
1210640182	S05207TC4M2	TYPE C 2P PG7 TRANSPARENT NBR FLAT GASKET	C4	230V	AMBER LED
1210641245	S05207TC4B1	TYPE C 2P PG7 TRANSPARENT NBR PROFILE GASKET	C4	24V	GREEN LED
1210641253	S05207TC4H1	TYPE C 2P PG7 TRANSPARENT NBR PROFILE GASKET	C4	24V	AMBER LED
1210641446	S05207TC4M1	TYPE C 2P PG7 TRANSPARENT NBR PROFILE GASKET	C4	230V	AMBER LED
1210641459	S05207TC4Z4	TYPE C 2P PG7 TRANSPARENT WHITE SILICON FLAT GASKET	C4	24V	RED LED
1210641486	S052M2TC4B1	TYPE C 2P M12x1.5 TRANSPARENT NBR PROFILE GASKET	C4	24V	GREEN LED
1210641751	S05207TC4K2	TYPE C 2P PG7 TRANSPARENT NBR FLAT GASKET	C4	48V	AMBER LED
1210650105	S05207TC42214	TYPE C 2P PG7 TRANSPARENT NBR FLAT GASKET IN NEUTRAL BAG	C4	24V	RED LED
1210650552	S05207TC4525N	TYPE C 2P PG7 TRANSPARENT NBR FLAT GASKET IN BOX OF 200	C4	230V	RED LED
1210640183	S05207TS0H1	TYPE C 2P PG7 TRANSPARENT NBR PROFILE GASKET	S0	24V	AMBER LED
1210641799	S052M2TC322	TYPE C 2P M12x1.5 TRANSPARENT NBR FLAT GASKET	C3	24V	RED LED

<b>SEE SHEET 1</b> EC NO: IPG2013-0751 DRWNGSHEA 2012/11/21 CHKD:DMAHER 2012/11/23 APPR:SGRIFFIN 2012/12/05	QUALITY SYMBOLS  	GENERAL TOLERANCES (UNLESS SPECIFIED)		DIMENSION STYLE <b>MM ONLY</b>		SCALE <b>2:1</b>	DESIGN UNITS <b>METRIC</b>	THIRD ANGLE PROJECTION	
				DRAWN BY JOCONNOR	DATE 2011/05/11	TITLE <b>S05 SERIES INTERNAL THREAD</b>			
				CHECKED BY DMAHER	DATE 2011/05/11	<b>MOLEX INCORPORATED</b> MATERIAL NO. SD-121064-001 DOCUMENT NO.			
				APPROVED BY EFOLAN	DATE 2011/05/25				
		DRAFT WHERE APPLICABLE MUST REMAIN WITHIN DIMENSIONS		SEE CHART SIZE A 2		THIS DRAWING CONTAINS INFORMATION THAT IS PROPRIETARY TO MOLEX INCORPORATED AND SHOULD NOT BE USED WITHOUT WRITTEN PERMISSION			

7

6

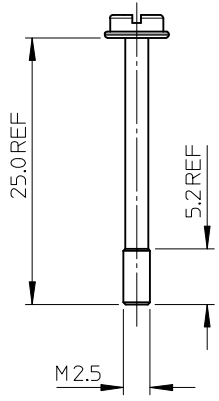
5

4

3

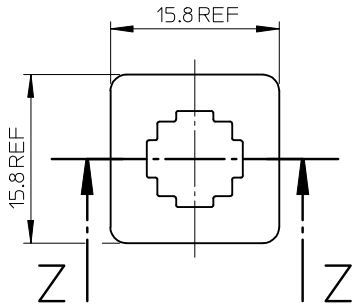
2

1

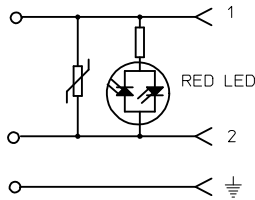
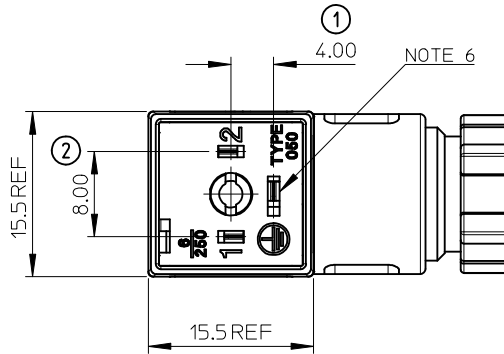
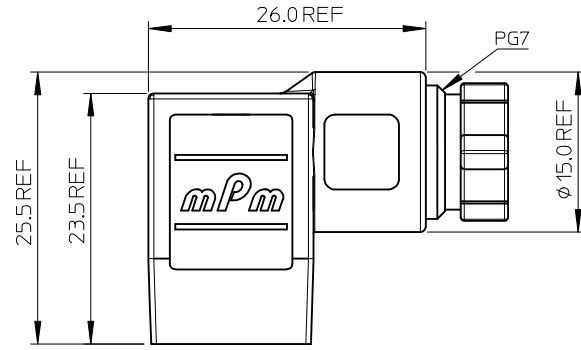
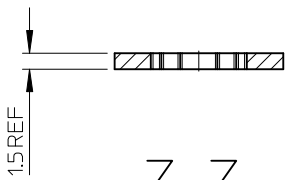


M2.5 X 25 SCREW

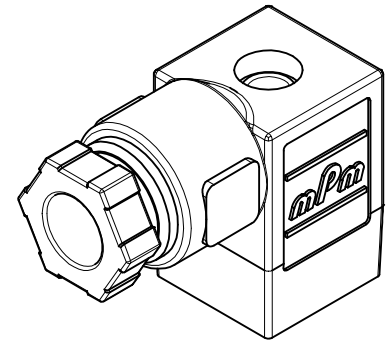
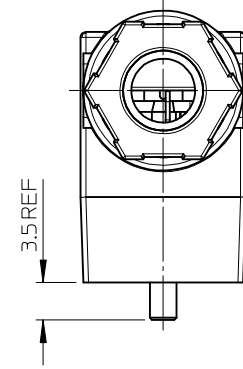
NBR GASKET



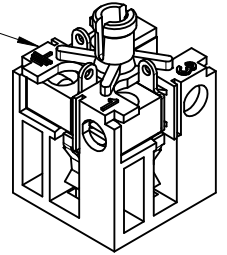
Z-Z



C4 CIRCUIT DIAGRAM



NOTE 16



NOTES:

1. PRODUCT SPEC: PS-121201-001
2. PACKAGING SPEC: PK-121065-S05
3. MATERIAL:  
COVER HOUSING: PA SMOKED TRANSPARENT  
NUT: PA BLACK  
INSERT: PA BLACK
4. ENGINEERING NO: S05207TC422
5. PART IS BULK PACK MOUNTED - 300 PCS PER BOX
6. EARTH POSITION: H6
7. CABLE DIAMETER: 4mm - 6mm
8. NOMINAL VOLTAGE: 24V AC/DC
9. NOMINAL CURRENT: 6A
10. MAXIMUM CURRENT: 10A
11. CROSS SECTIONAL AREA OF WIRE CONDUCTOR: 0.75mm<sup>2</sup> MAX, 0.50mm<sup>2</sup> MIN
12. PROTECTION CLASS: IP65
13. OPERATING TEMPERATURE RANGE: -40°C TO +90°C
14. GLAND NUT TIGHTENING TORQUE: 1Nm
15. FIXING SCREW TIGHTENING TORQUE: 0.4Nm
16. ELECTRONIC COMPONENTS NOT SHOWN

LAST INSPECTION NUMBER USED: 2

ORIGINAL RELEASE EC NO: IPG2013-1418 DRWN:DSHEA 2013/03/11 CHK'D:SMCGREEVY 2013/03/12 APPR:STGRIFFIN 2013/03/20	DESCRIPTION REV	QUALITY SYMBOLS ▽=0 ▽=0	GENERAL TOLERANCES (UNLESS SPECIFIED)		DIMENSION STYLE MM ONLY		SCALE 1.5:1	DESIGN UNITS METRIC	THIRD ANGLE PROJECTION		
			mm	INCH	DRAWN BY	DATE	TITLE S052 PG7 TRANSP H6 C4, 24V, RED LED				
		4 PLACES	± ---	± ---	DSHEA	2013/03/11					
		3 PLACES	± ---	± ---	CHECKED BY	DATE	DOCUMENT NO. SD-121064-168				
2 PLACES	± 0.10	± ---	SMCGREEVY	2013/03/12							
1 PLACE	± 0.20	± ---	APPROVED BY	DATE	SHEET NO. 1 OF 1						
0 PLACE	± ---	± ---	STGRIFFIN	2013/03/20							
DRAFT WHERE APPLICABLE MUST REMAIN WITHIN DIMENSIONS			MATERIAL NO. 1210640168		THIS DRAWING CONTAINS INFORMATION THAT IS PROPRIETARY TO MOLEX INCORPORATED AND SHOULD NOT BE USED WITHOUT WRITTEN PERMISSION						

6

5

4

3

2

1

7

6

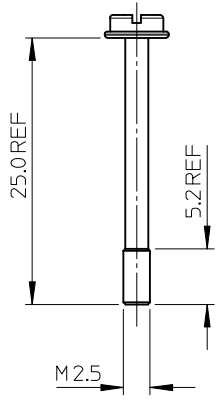
5

4

3

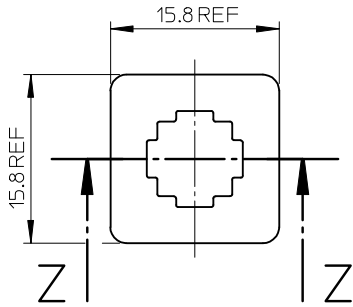
2

1

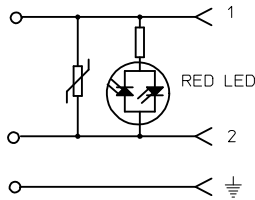
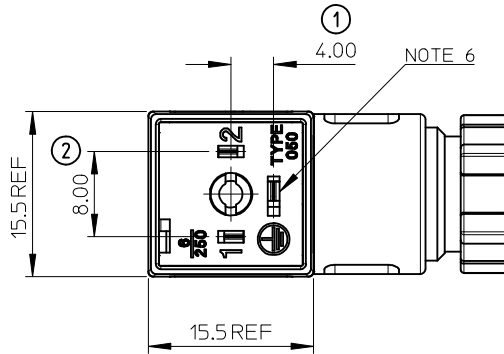
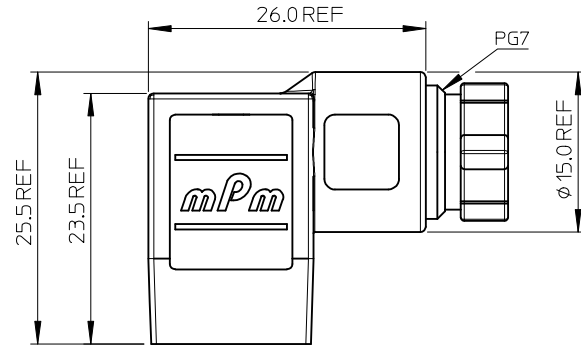
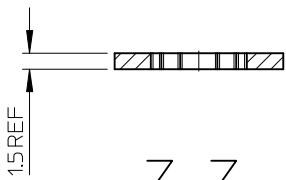


M2.5 X 25 SCREW

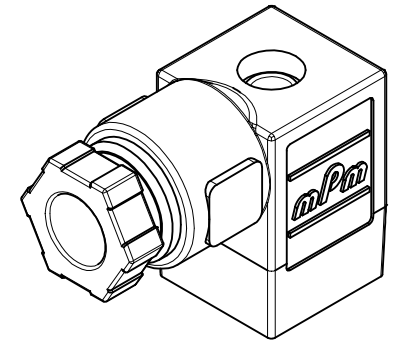
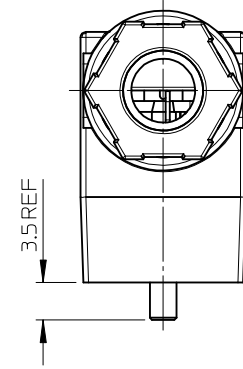
NBR GASKET



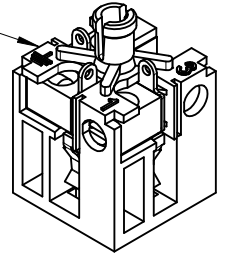
Z-Z



C4 CIRCUIT DIAGRAM



NOTE 16



NOTES:

- 1. PRODUCT SPEC: PS-121201-001
- 2. PACKAGING SPEC: PK-121065-S05
- 3. MATERIAL:  
COVER HOUSING: PA SMOKED TRANSPARENT  
NUT: PA BLACK  
INSERT: PA BLACK
- 4. ENGINEERING NO: S05207TC422
- 5. PART IS BULK PACK MOUNTED - 300 PCS PER BOX
- 6. EARTH POSITION: H6
- 7. CABLE DIAMETER: 4mm - 6mm
- 8. NOMINAL VOLTAGE: 24V AC/DC
- 9. NOMINAL CURRENT: 6A
- 10. MAXIMUM CURRENT: 10A
- 11. CROSS SECTIONAL AREA OF WIRE CONDUCTOR: 0.75mm<sup>2</sup> MAX, 0.50mm<sup>2</sup> MIN
- 12. PROTECTION CLASS: IP65
- 13. OPERATING TEMPERATURE RANGE: -40°C TO +90°C
- 14. GLAND NUT TIGHTENING TORQUE: 1Nm
- 15. FIXING SCREW TIGHTENING TORQUE: 0.4Nm
- 16. ELECTRONIC COMPONENTS NOT SHOWN

LAST INSPECTION NUMBER USED: 2

ORIGINAL RELEASE EC NO: IPG2013-1418 DRWN:DSHEA 2013/03/11 CHK'D:SMCGREEVY 2013/03/12 APPR:STGRIFFIN 2013/03/20	DESCRIPTION REV A	QUALITY SYMBOLS ▽=0 ▽=0	GENERAL TOLERANCES (UNLESS SPECIFIED)		DIMENSION STYLE MM ONLY		SCALE 1.5:1	DESIGN UNITS METRIC	THIRD ANGLE PROJECTION		
			mm	INCH	DRAWN BY	DATE	TITLE S052 PG7 TRANSP H6 C4, 24V, RED LED				
		4 PLACES	± ---	± ---	DSHEA	2013/03/11					
		3 PLACES	± ---	± ---	CHECKED BY	DATE	DOCUMENT NO. SD-121064-168				
2 PLACES	± 0.10	± ---	SMCGREEVY	2013/03/12							
1 PLACE	± 0.20	± ---	APPROVED BY	DATE	SHEET NO. 1 OF 1						
0 PLACE	± ---	± ---	STGRIFFIN	2013/03/20							
DRAFT WHERE APPLICABLE MUST REMAIN WITHIN DIMENSIONS			MATERIAL NO. 1210640168		THIS DRAWING CONTAINS INFORMATION THAT IS PROPRIETARY TO MOLEX INCORPORATED AND SHOULD NOT BE USED WITHOUT WRITTEN PERMISSION						

6

5

4

3

2

1



# Mouser Electronics

Authorized Distributor

Click to View Pricing, Inventory, Delivery & Lifecycle Information:

[Molex:](#)

[1210640168](#)