

PRODUCT NUMBER
51742-ABBCCC00EF--
NOTE: ①

0.100 REF TYP [2.54]
0.100 REF TYP [2.54]
BOARD LOCK 2X IF SELECTED (SEE NOTE 8)

DIM "A" ±0.10 [±0.25]
NOTE 10
DIM "C" 0.175 REF [4.45]
0.250 REF TYP [6.35]
VOID CORING OPTION, TYP SEE NOTE 17
0.375 REF [9.53]
0.100 REF TYP [2.54]
DIM "E" 0.450 REF [11.43]



Tous droits strictement réservés. Reproduction ou communication à des tiers interdite sans quelque forme que ce soit sans autorisation écrite du propriétaire. Propriété de c FCI. Droits de reproduction FCI.



All rights strictly reserved. Reproduction or issue to third parties in any form whatever is not permitted without written authority from the proprietor. Property of FCI. Copyright FCI.

mat'1 code		SEE NOTE 2		tolerances unless otherwise specified		CUSTOMER		FCI	
lir	ecn no.	dr	date			copy	projection	title	www.fciconnect.com
H	DG05-0132	SJ	06/02/05	linear	.XX±.01/0.X±0.3		1st angle	VERTICAL RECEPTACLE W/GUIDE PIN	
J	DG05-0153	SJ	06/10/05	angles	.XXX±.005/0.XX±0.13			POWER / SIGNAL	
K	DG06-0362	JULIA	08/30/06	angles	.XXX±.002/0.XXX±.051				
L	DG08-0239	JC	09/11/08	dr	0°±2°				
				engr	D. EATON	05-25-99		product family	PWRBLADE
				chr	J. BROWN	05-24-99		size	2 13
				appd	J. BROWN	05-26-99		dwg no	51742
sheet index	revision sheet	L	L	L	L	L	L	scale	1:1
		1	2	3				sheet	1 of 3
								code	22526
								cage code	22526

1 | 2 | 3 | 4
A B
3 | 4
Pro/E
1 | 2 | 3 | 4

PRODUCT NUMBER
51742-ABBCCC00EF--
NOTE: ①

DIM LENGTH FORMULAS (SEE NOTE 10)

DIM "A"	.100 [2.54] x (CCC/4) + .250 [6.35] x BB + .650 [16.51] (NOTE 10)
DIM "B"	.100 [2.54] x (CCC/4) + .250 [6.35] x BB + .350 [8.89]
DIM "C"	.100 [2.54] x (CCC/4) + .250 [6.35] x BB + .300 [7.62]
DIM "E"	.100 [2.54] x (CCC/4) + .450 [11.43]
DIM "F"	.100 [2.54] x (CCC/4) + .250 [6.35] x BB + .680 [17.27]
DIM "H"	.100 [2.54] x (CCC/4) + .250 [6.35]

CONNECTOR NOTES

- PRODUCT NUMBER CODE:
51742 - A BB CCC 00 E F LF
NO THIS SUFFIX: 100u"/2.54um SnPb ON PCB INTERFACE
ADD THIS SUFFIX: 78u"/2.00um Sn ON PCB INTERFACE
RETENTION TO PCB (NOTE 8)
TAIL OPTIONS (NOTE 7)
ALWAYS ".00" (ZERO ZERO) (NOTE 6)
NUMBER OF SIGNAL CONTACTS (NOTE 5)
NUMBER OF RIGHT POWER CONTACTS (NOTE 4)
PLATING (NOTE 3)
BASE NUMBER
- HOUSING MATERIAL: GLASS FILLED V-0 HIGH TEMP THERMO PLASTIC.
SIGNAL CONTACT MATERIAL: COPPER ALLOY
POWER CONTACT MATERIAL: COPPER ALLOY
- PLATING OPTION:
SEE PRINT 10064183 FOR PLATING SPEC OF 51742-1BBC000EF; 51742-1BBC000E1F
- RIGHT END POWER CONTACT, 01 TO 20 AVAILABLE.
MAXIMUM OF 20 POWER CONTACTS PER CONNECTOR.
- SIGNAL CONTACTS, 004 TO 148 AVAILABLE.
- THIS PART NOT AVAILABLE WITH LEFT SIDE POWER CONTACTS.
- TAIL OPTIONS:
A = .135 ± .010 [3.43 ± .25] SOLDER TO BOARD
C = .135 ± .010 [3.43 ± .25] PRESS FIT

- RETENTION TO PCB OPTIONS:
A = BOARD LOCK (REQUIRES .098 ± .002, -.001 [2.49 ± 0.05, 0.03] THRU HOLE IN PCB) (NOT AVAILABLE WITH PRESS FIT).
BOARD LOCK TO BE USED IN CONJUNCTION WITH AN .092 PCB OR THICKER.
C = NO RETENTION FEATURE (ALL PRESS FIT).
- MANUFACTURE'S NAME, P/N, AND DATE CODE TO APPEAR ON THIS SURFACE.
- THE MAXIMUM OVERALL LENGTH (DIM A) OF A PART IS 8.00 [203.2].
- PRODUCT SPECIFICATION GS-12-149.
- REFERENCE 51698 FOR SPECIALS WORKSHEET.

- PCB NOTES:
- ALL DIMENSIONS ARE BASIC UNLESS OTHERWISE SPECIFIED.
 - ALL THROUGH HOLES ARE LOCATED WITH A TRUE POSITION OF .004 [0.01]
 - ALL HOLE DIAMETERS ARE FINISHED HOLE SIZE.
 - 0.0453 ± .001 [1.15 ± .02] DRILLED HOLES PLATED WITH 0.0003 [0.007] MIN SnPb OVER 0.001 [1.03] TO .003 [0.08] PLATING TO ACHIEVE A .040 ± .003 [1.02 ± .08] HOLE.
 - THE VOID CORING IN BETWEEN POWER MODULES, SIGNAL MODULES AND END MODULES ARE OPTIONAL AND THE SHAPE MAY BE DIFFERENT FOR OPTIMIZING THE MOLDING PROCESS. THE VOID CORING WILL NOT EFFECT TO PRODUCT FUNCTION.
 - A Δ SYMBOL WILL BE NEXT TO ANY DIMENSION, VIEW, OR NOTE WHICH HAS BEEN MODIFIED WITH THE CURRENT DRAWING REVISION.



mat'l code		SEE NOTE 2		tolerances unless otherwise specified		CUSTOMER		FCI		www.fciconnect.com	
lfr	ecrn no.	dr	date	linear	.XX±.01/0.X±0.3	projection	COPY	title		VERTICAL RECEPTACLE W/GUIDE PIN	
L				angles	.XXX±.005/0.XXX±0.13	0° ± 2°		product family		PWRBLADE code	
				dr	.XXXX±.002/0.XXX±.051			size		2.3 sheet	
				enrg	D. EATON 05-25-99			dwg no		A 51742	
				chr	J. BROWN 05-24-99			scale		2 of 3	
				appd	J. BROWN 05-26-99						
sheet index	revision	sheet									

1 | 2 | 3 | 4

1 | 2 | 3 | 4

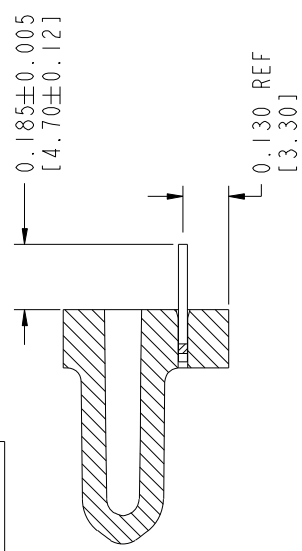
Pro/E

cage code 22526

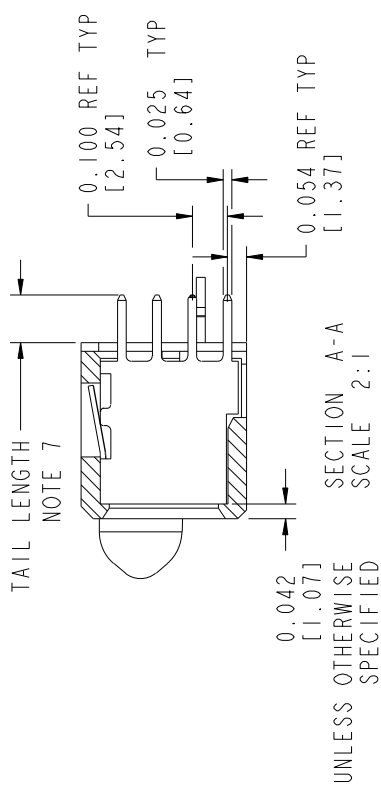
Tous droits strictement reserves. Reproduction ou communication a des tiers interdite sans queique forme que ce soit sans autorisation ecrite du proprietaire. Propriete de c FCI. Droits de reproduction FCI.

All rights strictly reserved. Reproduction or issue to third parties in any form whatever is not permitted without written authority from the proprietor. Property of FCI. Copyright FCI.

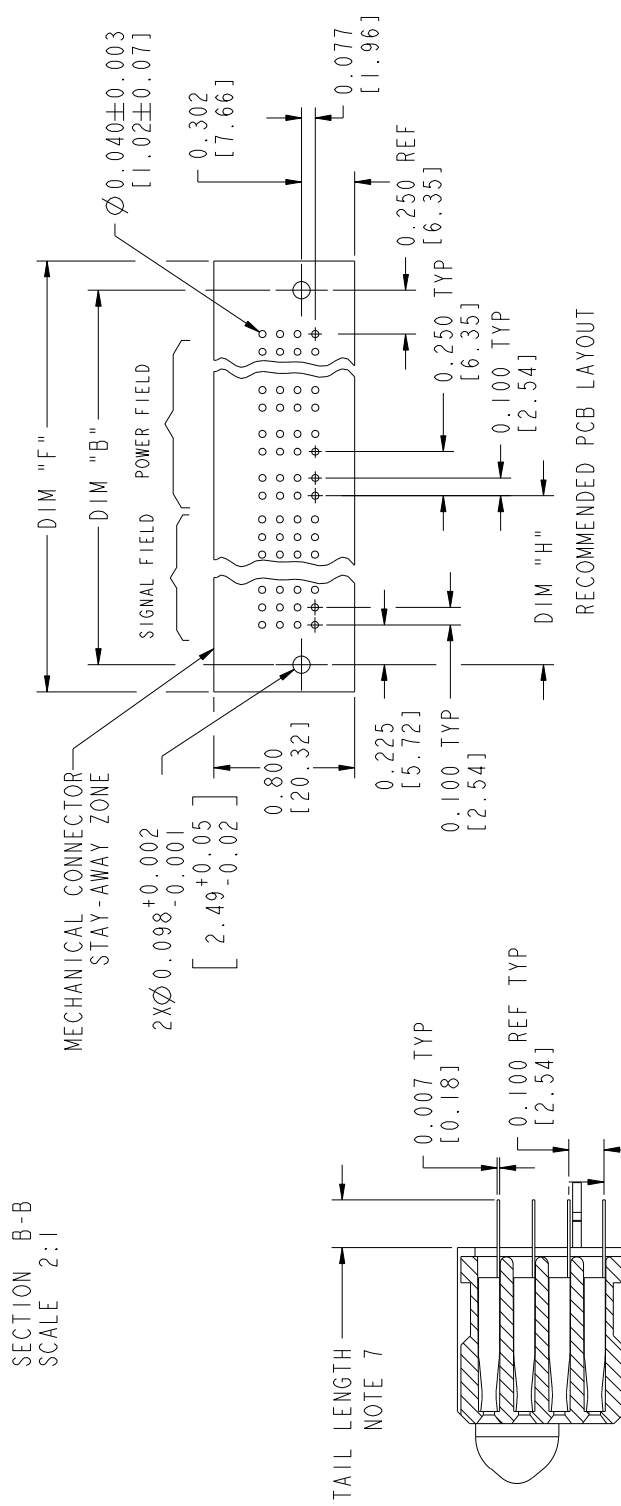
PRODUCT NUMBER
51742-ABBCCC00EF--
NOTE: ①



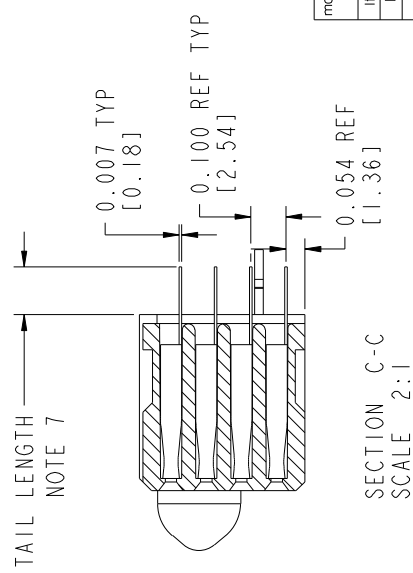
SECTION B-B
SCALE 2:1



SECTION A-A
SCALE 2:1



RECOMMENDED PCB LAYOUT



SECTION C-C
SCALE 2:1

mat'l code		SEE NOTE 2		tolerances unless otherwise specified		CUSTOMER		FCI		www.fciconnect.com	
ltr	ecn no.	dr	date	linear	.XXX±.01/0.XX±0.3	COPY		title		VERTICAL RECEPTACLE W/GUIDE PIN	
L				angles	.XXX±.005/0.XX±0.13	projection		product family		PWRBLADE code	
					.XXX±.002/0.XX±.051	INCH/MM		size		2 3	
					0° ± 2°	scale		dwg no		51742	
				dr	D. EATON 05-25-99			sheet		3 of 3	
				enrg	J. BROWN 05-24-99			3 of 3			
				chr	J. BROWN 05-26-99						
				appd	J. BROWN 05-26-99						
sheet index	revision	sheet				Pro/E		cage code		22526	
						3		4			

TAIL LENGTH NOTE 7

1 | 2

1 | 2

3 |

3 |

4

4

Tous droits strictement réservés. Reproduction ou communication à des tiers interdite sans queque forme que ce soit sans autorisation écrite du propriétaire. Propriété de c FCI. Droits de reproduction FCI.



All rights strictly reserved. Reproduction or issue to third parties in any form whatever is not permitted without written authority from the proprietor. Property of FCI. Copyright FCI.