

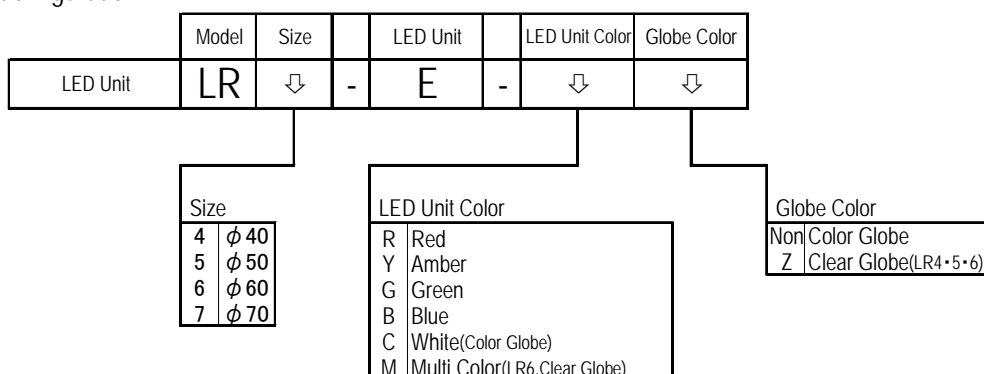
# SPECIFICATIONS

## 1. General Specifications

Model	LR□-E-□□	
Operating Ambient Temperature	-20°C ~ +50°C	
Operating Ambient Humidity	Less than 90% RH (No Condensation)	
Mass (Tolerance±10%)	LR4	0.035kg
	LR5	0.04kg
	LR6	0.06kg
	LR7	0.065kg
Outer Dimensions	Refer to the 3.Outer Dimensions	
Conformity Standards	UL 508, CSA-C22.2 No. 14 EMC Directive (EN 61000-6-4, EN 61000-6-2) RoHS Directive (EN 50581)	
Remarks	Due to the characteristics of the LED elements, a variation in difference of the color tone and brightness of every product may occur UL Recognized Component (File No.E215660)	

## 2. Model

### 2.1.1 Model Number Configuration



### 2.1.2 Model Number Example

LED Unit	LR4-E-C ● ϕ 40 ● LED Unit ● White ● Color Globe(Clear)
	LR4-E-YZ ● ϕ 40 ● LED Unit ● Amber ● Clear Globe
	LR5-E-R ● ϕ 50 ● LED Unit ● Red ● Color Globe(Red)
	LR6-E-MZ ● ϕ 60 ● LED Unit ● Multi Color ● Clear Globe

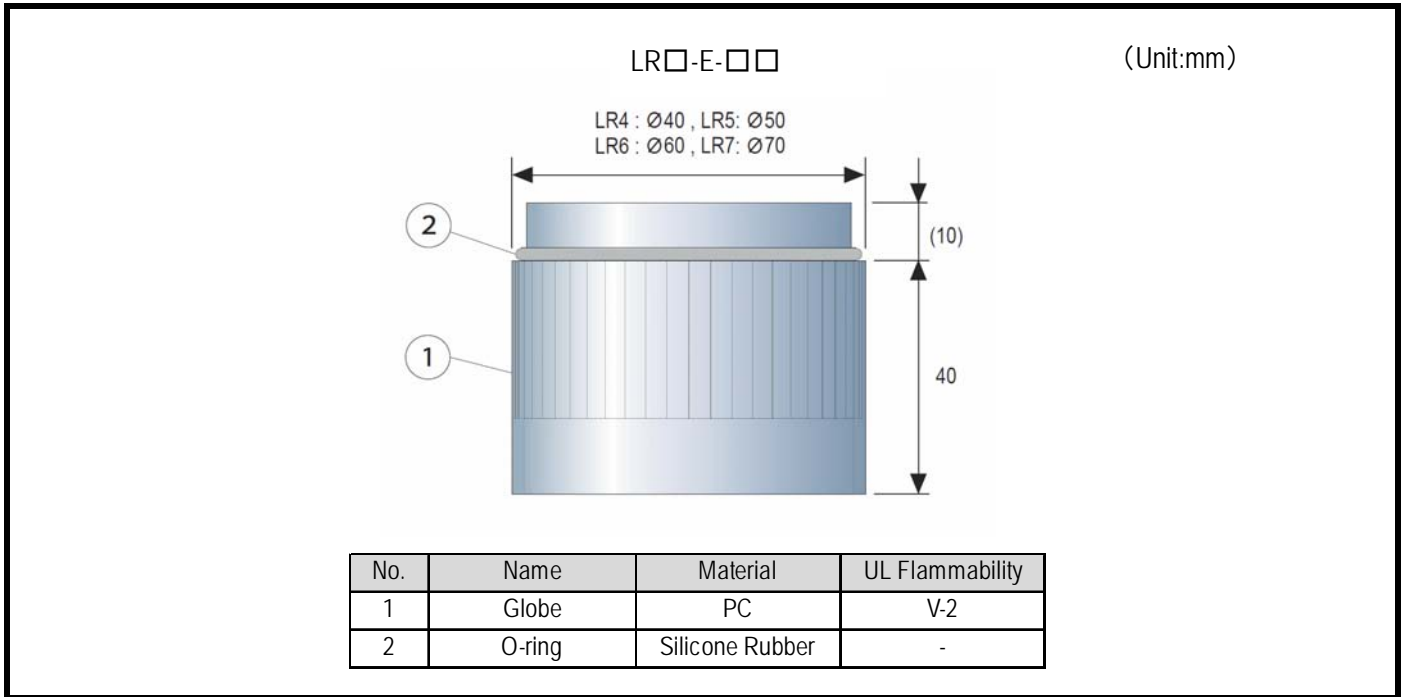
### 2.2 UL Registered Model

LED Unit	LR4-E-R, LR4-E-Y, LR4-E-G, LR4-E-B, LR4-E-C, LR4-E-RZ, LR4-E-YZ, LR4-E-GZ, LR4-E-BZ, LR5-E-R, LR5-E-Y, LR5-E-G, LR5-E-B, LR5-E-C, LR5-E-RZ, LR5-E-YZ, LR5-E-GZ, LR5-E-BZ, LR6-E-R, LR6-E-Y, LR6-E-G, LR6-E-B, LR6-E-C, LR6-E-M LR6-E-RZ, LR6-E-YZ, LR6-E-GZ, LR6-E-BZ, LR7-E-R, LR7-E-Y, LR7-E-G, LR7-E-B, LR7-E-C,
----------	---------------------------------------------------------------------------------------------------------------------------------------------------------------------------------------------------------------------------------------------------------------------------------------------------------------------------------------

LR-E-W18D-1\_5

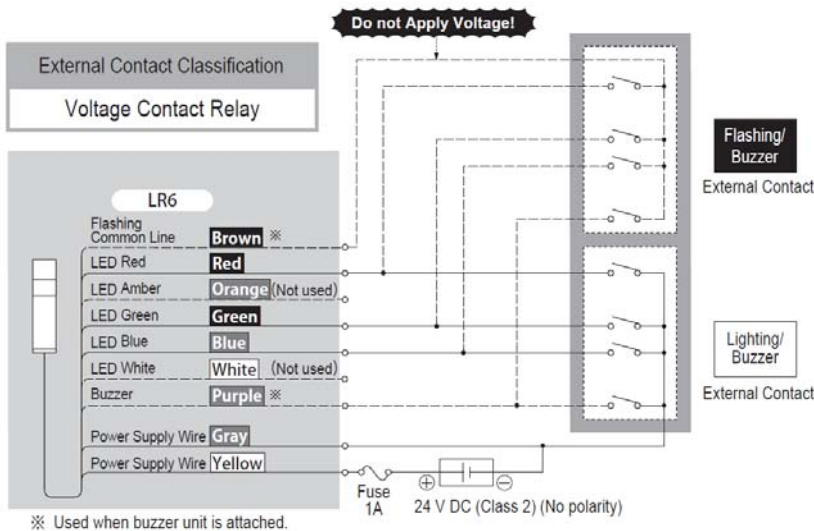
# PATLITE Corporation

### 3.Outer Dimensions



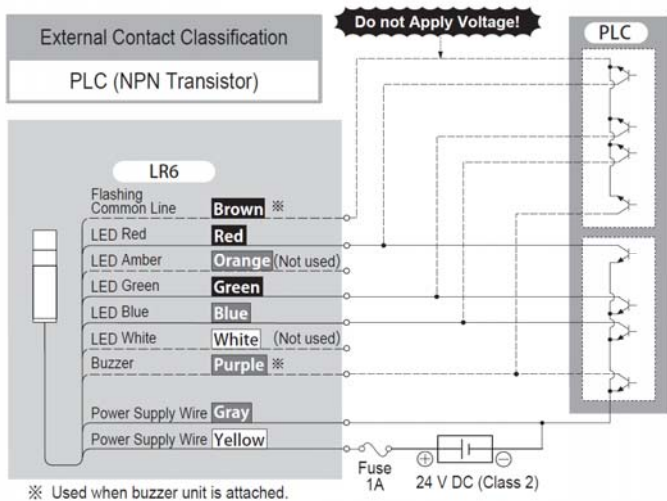
### 4.Multi Color LED Unit (LR6-E-MZ) Wiring Diagram

#### 4.1.1 【LR6-02】Voltage Contact Relay Wiring Example



Luminous Color	Wiring Color
Red	<b>Red</b>
Green	<b>Green</b>
Blue	<b>Blue</b>
Amber	<b>Red</b> + <b>Green</b>
Purple	<b>Red</b> + <b>Blue</b>
Cyan	<b>Green</b> + <b>Blue</b>
White	<b>Red</b> + <b>Green</b> + <b>Blue</b>

#### 4.1.2 【LR6-02】PLC(NPN Transistor) Wiring Example

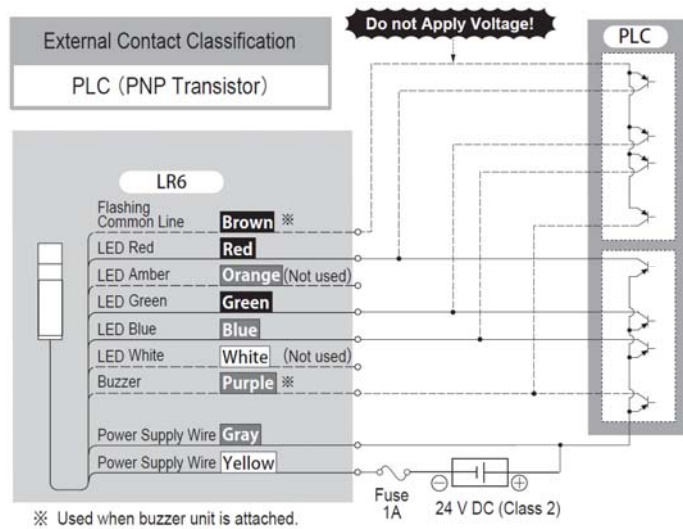


※ Used when buzzer unit is attached.

- Flashing/  
Buzzer  
Output  
Unit B
- Lighting/  
Buzzer  
Output  
Unit A
- Transistor  
Schematic  
C  
E → B

Luminous Color	Wiring Color
Red	Red
Green	Green
Blue	Blue
Amber	Red + Green
Purple	Red + Blue
Cyan	Green + Blue
White	Red + Green + Blue

#### 4.1.3 【LR6-02】PLC(PNP Transistor) Wiring Example

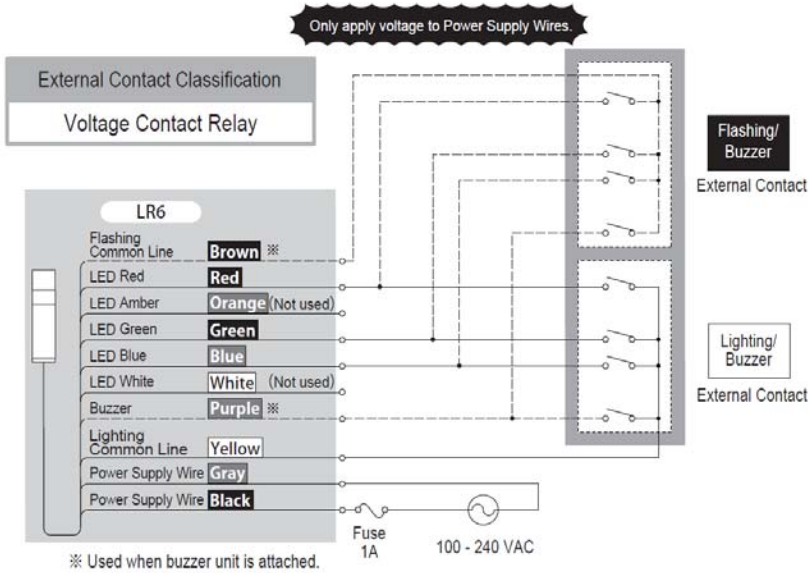


※ Used when buzzer unit is attached.

- Flashing/  
Buzzer  
Output  
Unit B
- Lighting/  
Buzzer  
Output  
Unit A
- Transistor  
Schematic  
C  
E → B

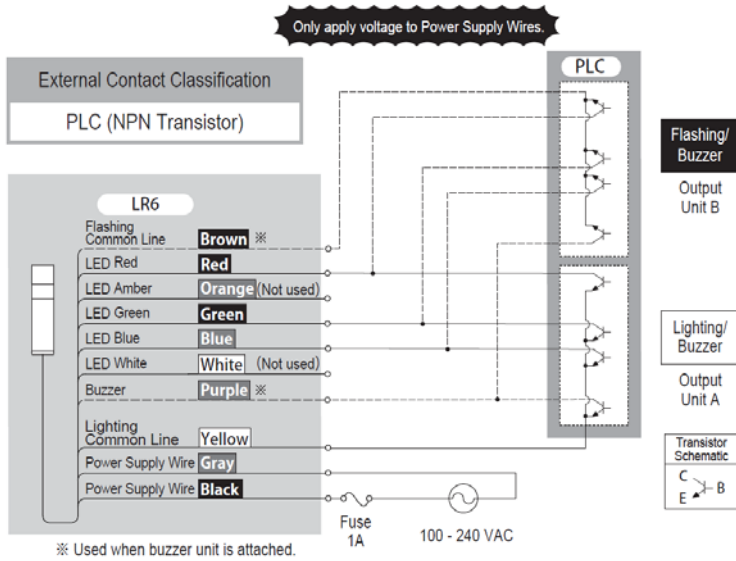
Luminous Color	Wiring Color
Red	Red
Green	Green
Blue	Blue
Amber	Red + Green
Purple	Red + Blue
Cyan	Green + Blue
White	Red + Green + Blue

#### 4.2.1 【LR6-M2】Voltage Contact Relay Wiring Example



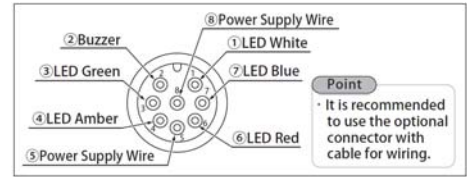
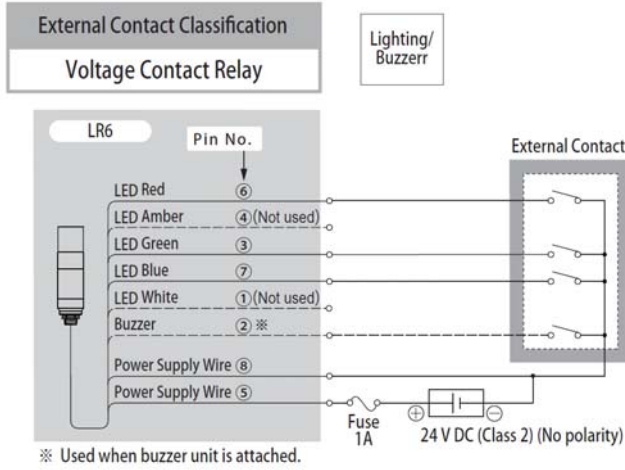
Luminous Color	Wiring Color
Red	<b>Red</b>
Green	<b>Green</b>
Blue	<b>Blue</b>
Amber	<b>Red</b> + <b>Green</b>
Purple	<b>Red</b> + <b>Blue</b>
Cyan	<b>Green</b> + <b>Blue</b>
White	<b>Red</b> + <b>Green</b> + <b>Blue</b>

#### 4.2.2 【LR6-M2】PLC(NPN Transistor) Wiring Example



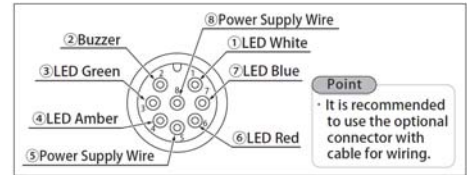
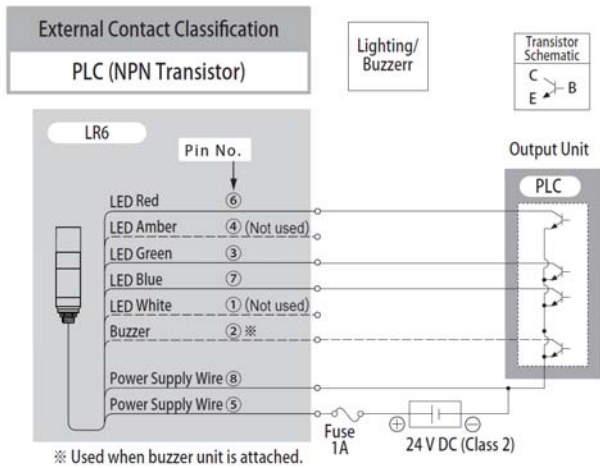
Luminous Color	Wiring Color
Red	<b>Red</b>
Green	<b>Green</b>
Blue	<b>Blue</b>
Amber	<b>Red</b> + <b>Green</b>
Purple	<b>Red</b> + <b>Blue</b>
Cyan	<b>Green</b> + <b>Blue</b>
White	<b>Red</b> + <b>Green</b> + <b>Blue</b>

### 4.3.1 【LR6-02WC】Voltage Contact Relay Wiring Example



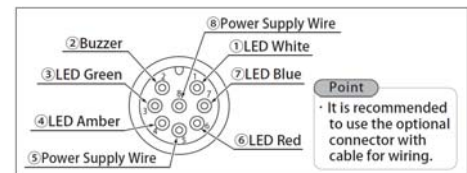
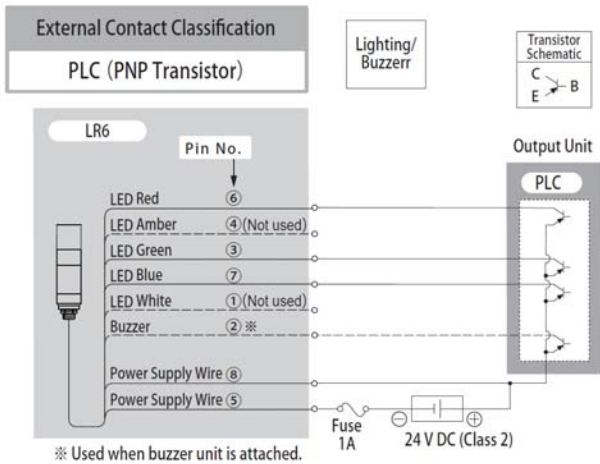
Luminous Color	M12 Connector Pin No.
Red	⑥
Green	③
Blue	⑦
Amber	⑥ + ③
Purple	⑥ + ⑦
Cyan	③ + ⑦
White	⑥ + ③ + ⑦

### 4.3.2 【LR6-02WC】PLC(NPN Transistor) Wiring Example



Luminous Color	M12 Connector Pin No.
Red	⑥
Green	③
Blue	⑦
Amber	⑥ + ③
Purple	⑥ + ⑦
Cyan	③ + ⑦
White	⑥ + ③ + ⑦

### 4.3.3 【LR6-02WC】PLC(PNP Transistor) Wiring Example



Luminous Color	M12 Connector Pin No.
Red	⑥
Green	③
Blue	⑦
Amber	⑥ + ③
Purple	⑥ + ⑦
Cyan	③ + ⑦
White	⑥ + ③ + ⑦