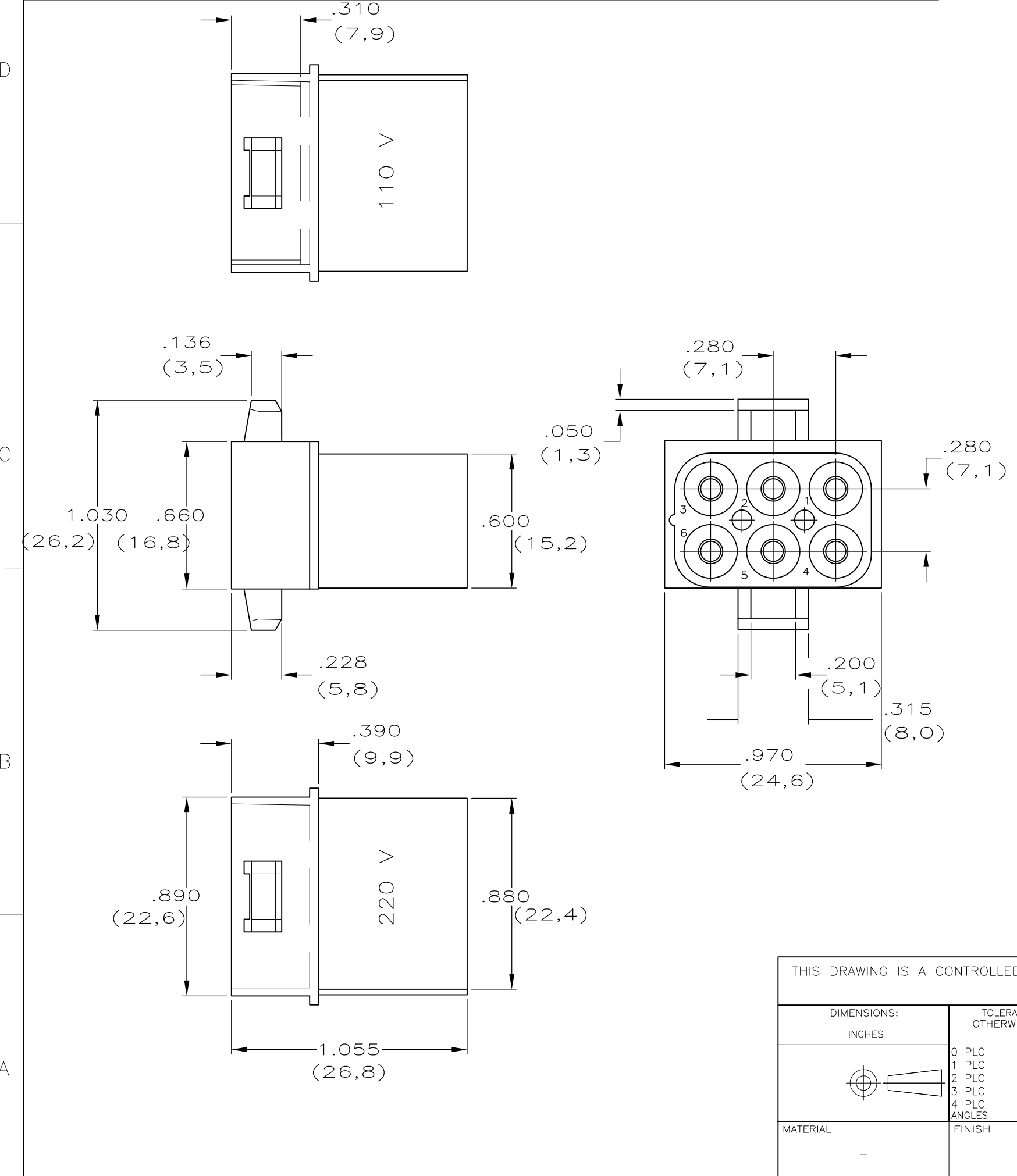


THIS DRAWING IS UNPUBLISHED. RELEASED FOR PUBLICATION  
 © COPYRIGHT - TE Connectivity Ltd. ALL RIGHTS RESERVED.

REVISIONS					
P	LTR	DESCRIPTION	DATE	DWN	APVD
	B1	REVISED PER ECR-18-001762	15FEB2018	BDA	JB



FINISH	MATERIAL	PARTNUMBER
BLACK	POLYAMIDE 94V-0 PHOSPHOR AND HALOGEN FREE	4-163035-9
BLACK	-	3-163035-9
GREY	-	3-163035-8
VIOLET	-	3-163035-7
BLUE	-	3-163035-6
GREEN	POLYAMIDE	3-163035-5
YELLOW	94V-0	3-163035-4
ORANGE	-	3-163035-3
RED	-	3-163035-2
BROWN	-	3-163035-1
NATURAL	-	3-163035-0
BLACK	-	2-163035-9
GREY	-	2-163035-8
VIOLET	POLYAMIDE	2-163035-7
BLUE	94V-2	2-163035-6
GREEN	WITH	2-163035-5
YELLOW	110-220V	2-163035-4
ORANGE	-	2-163035-3
RED	-	2-163035-2
BROWN	-	2-163035-1
NATURAL	-	2-163035-0
BLACK	-	1-163035-9
GREY	-	1-163035-8
VIOLET	-	1-163035-7
BLUE	POLYAMIDE	1-163035-6
GREEN	94V-2	1-163035-5
YELLOW	-	1-163035-4
ORANGE	-	1-163035-3
-	-	-
BROWN	-	1-163035-1
NATURAL	-	1-163035-0

OBSOLETE

OBSOLETE

THIS DRAWING IS A CONTROLLED DOCUMENT.

DIMENSIONS: INCHES	TOLERANCES UNLESS OTHERWISE SPECIFIED:
	0 PLC ± -
	1 PLC ± -
	2 PLC ± -
	3 PLC ± -
	4 PLC ± -
	ANGLES ± -
MATERIAL	FINISH
-	-

DWN	J ELENBAAS	14-11-94
CHK	A BIJNEN	-
APVD	-	-
PRODUCT SPEC	-	-
APPLICATION SPEC	-	-
WEIGHT	-	-

**STE** TE Connectivity Ltd.

6-CIRCUIT PINHOUSING  
MATE-N-LOK

SIZE	CAGE CODE	DRAWING NO	RESTRICTED TO
A3	00779	C-C-163035	-

CUSTOMER DRAWING SCALE - SHEET 1 OF 1 REV B1