

Electronic housing - UEGM-MSTB - 2781453

Please be informed that the data shown in this PDF Document is generated from our Online Catalog. Please find the complete data in the user's documentation. Our General Terms of Use for Downloads are valid (<http://phoenixcontact.com/download>)




Electronic housing, for PCB insertion, with 12-pos. Combicon pin strip

Why buy this product

- Efficient assembly thanks to overlapping housing parts
- Unused LED cutouts can be sealed with UEGM MSTB-BS filler plugs
- Plug-in connection can be keyed with CP-MSTB/CR-MSTB to prevent incorrect polarity
- Can be snapped onto standard NS 35/7,5 and NS 35/15 DIN rails
- Integration of 3 mm LEDs (max. leg length of 29 mm)
- The MSTB-BL keying tab can be used to cover individual contact pins in order to form sections on the pin strip
-



Key commercial data

Packing unit	10 pc
Minimum order quantity	10 pc
GTIN	 4 017918 068967
Weight per Piece (excluding packing)	45.5 g
Custom tariff number	85369010
Country of origin	Germany

Technical data

General

Housing type	Complete housing
Housing material	Polyamide (PA 6.6)
Color	green

Ambient conditions

Ambient temperature (operation)	-40 °C ... 105 °C
---------------------------------	-------------------

Dimensions

Length	79 mm
--------	-------

Electronic housing - UEGM-MSTB - 2781453

Technical data

Dimensions

Constructional height	90.5 mm
Width	25 mm

Technical data

Inflammability class according to UL 94	V0
Power dissipation at 20°C in the horizontal mounting position	4 W 10 W
Number of positions	12

Classifications

eCl@ss

eCl@ss 4.0	27180401
eCl@ss 4.1	27180401
eCl@ss 5.0	27180506
eCl@ss 5.1	27180506
eCl@ss 6.0	27180802
eCl@ss 7.0	27182702
eCl@ss 8.0	27182702

ETIM

ETIM 2.0	EC001031
ETIM 3.0	EC001031
ETIM 4.0	EC001031
ETIM 5.0	EC001031

UNSPSC

UNSPSC 6.01	31261501
UNSPSC 7.0901	31261501
UNSPSC 11	31261501
UNSPSC 12.01	31261501
UNSPSC 13.2	31261501

Approvals

Approvals

Approvals

UL Recognized / EAC

Ex Approvals

Electronic housing - UEGM-MSTB - 2781453

Approvals

Approvals submitted

Approval details

UL Recognized

EAC

Accessories

Accessories

Dummy module

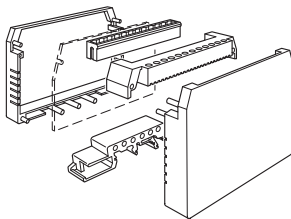
Components of electronic housing - UEGM-MSTB-BS - 2781466



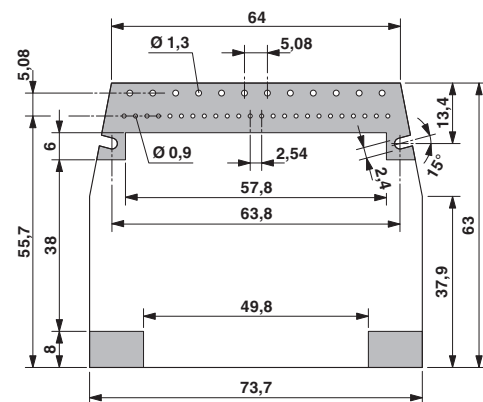
Filler plug, for closing LED cutouts which are not required.

Drawings

Explosion drawing



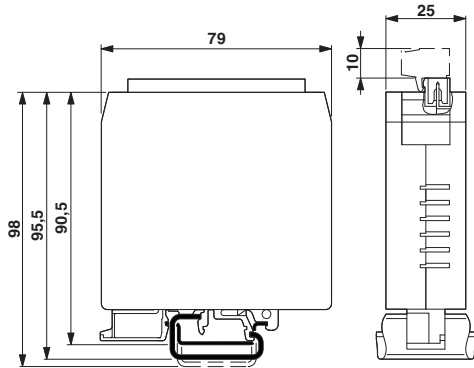
Dimensional drawing



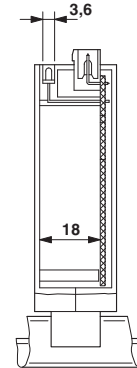
Soldering side of PCB layout
1 = Overall component area

Electronic housing - UEGM-MSTB - 2781453

Dimensional drawing



Dimensional drawing



Maximum height of the components on the PCB