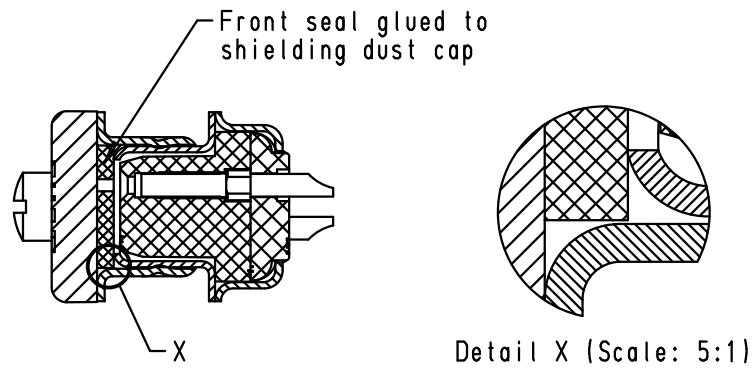


IP 67 shielding concept



				Dot.	Name	<p>All Dim. in mm Orig. Size DIN A 4</p>	IP 67 male metal shielding cap, tin plated shell with dimples for 15 poles female D-Sub with screw locks	Maßstab/ Scale
			Detail.	06/04/07	PK			2:1
			Insp.					
			Stand.					
34906	18/04/08	PK	HARTING EURL F-95972 Paris				TB 09 67 002 9051	Blatt/ Page
33977	06/04/07	PK						1 / 1
Mod.	Dot.	Name					Sub.	