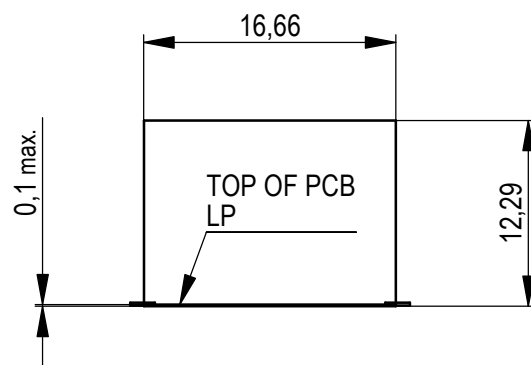
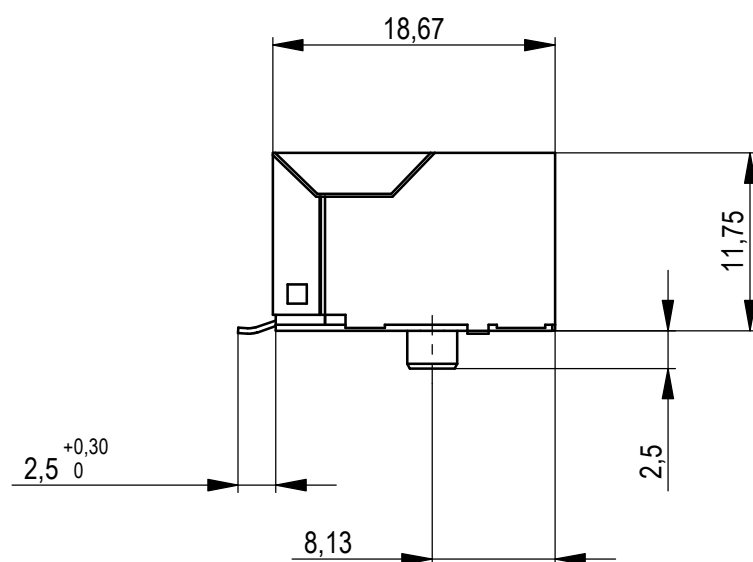
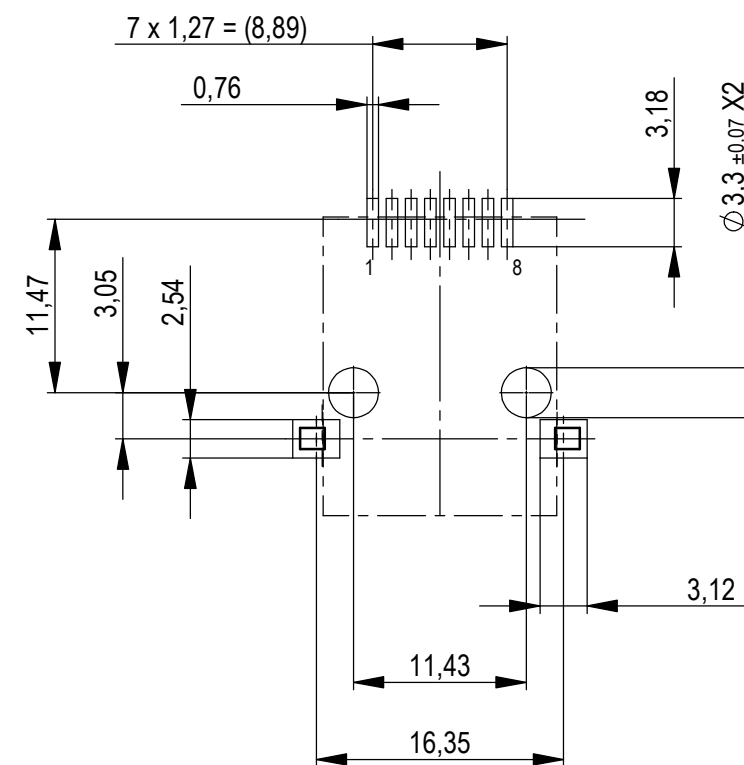


RECOMMENDED PANEL CUTOUT
EMPFOHLENER FRONTPLATTEN-AUSSCHNITT



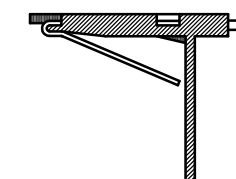
RECOMMENDED PCB LAYOUT (COMPONENT SIDE VIEW)
EMPFOHLENES LEITERPLATTEN-LAYOUT (BESTUECKUNGSSEITE)
TOL. ±0.05 [0.002] UNLESS NOTED



NOTE 1: WITH PEGS, SMT SIDE SHIELD TABS AND SMT TERMINALS (STP)
NOTE 2: C - UL APPROVED E145613 AND MEETS FCC REQUIREMENTS
NOTE 3: RoHS COMPLIANT

Koplanarität der Anschlüsse ±0,1 mm
coplanarity area of termination ±0,1 mm

IMPROVED CONTACT DESIGN
(PRE BEND)



Technical specifications

Materials & Finish

Insulation body	Standard applic.	Value
Insulation body	Standard description	PA46 30%
Contact material	Standard description	CuSn5 (acc. JIS)
Contact finish, mating zone	Thickness of plating	30 µm Au over 50 µm Ni
Contact finish termination zone	Thickness of plating	80 µm matte Sn over 50 µm Ni
Shell/shield material	Standard description	C2680 (acc. JIS)
Plating shield / shielding pin		50 µm Ni / 80 µm Sn

Assembly process

Packaging	see chart
Solder temperature	260°C at 3-5s
Suitable assembly process	reflow

Approvals

UL insulation body	UL 94	V0
UL File No.		E145613
RoHS compliant		Yes

Test Data

Mechanical properties

Insertion/withdr. IEC 603-7	max. 20 N
Mechanical oper IEC 512-5, 9a	min. 1000
Effectiveness of connector coupling device IEC 512-8, 15f	50 N

Electrical properties

Creepage / clearance distances

a) Contact - cont. IEC 807-3	0,52 mm
b) Contact - shell IEC 807-3	min. 1,0 mm

Voltage proof (Dielectric Withstand Voltage)

a) Contact - cont. IEC 512-2, 4a	min. 1.000 V AC/DC
b) Contact - shell IEC 512-2, 4a	min. 1.500 V AC/DC
Current carrying IEC 512-3, 5b	1,5 A @ 25° C
Contact resistance IEC 512-2, 2a	max. 30 mOhm
Insulation resist. IEC 512-2, 3a	min. 500 MOhm

Environmental properties

Operation temperature	-40° C - + 85° C
-----------------------	------------------

PART NO. IDENT. NR.	PACKAGING VERPACKUNG.
133611	TRAY (Standard) (SEE PAGE 2 of 2)
203422	TAPE & REEL (SEE PAGE 2 of 2) 120 PIECES PER REEL

Dimension no.	Tolerances Dim. for Information ISO 8015		Scale 2:1	Material
Customer drawing: All rights reserved. Only for Information. To ensure that this is the latest version of this drawing, please contact one of the ERNI companies before using.	Subject to modification without prior notice. Drawing will not be updated.		Modular Jack Finale Connector MJLS 8P8C, 1X1, SMT	
ERNI International AG Zürichstrasse 72 8306 Brüttisellen - Zürich Switzerland		203499		I A3
c	26.01.2022	Class MJ		
Index	Date			

Weitergabe sowie Vervielfältigung dieses Dokuments, Verwertung und Mitteilung seines Inhalts sind verboten, soweit nicht ausdrücklich gestattet. Zuwiderhandlungen verpflichten zu Schadenersatz. Alle Rechte für den Fall der Patent-, Gebrauchsmuster- oder Geschmacksmusterertragung vorbehalten. The reproduction, distribution and utilization of this document as well as the communication of its contents to others without express authorization is prohibited. Offenders will be held liable for the payment of damages. All rights reserved in the event of the grant of a patent, utility model or design.

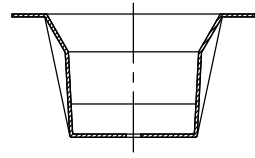
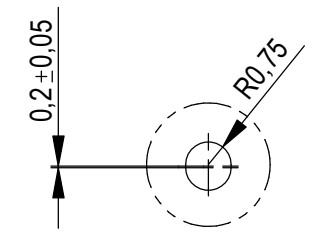
Die deutsche Version dieser Zeichnung dient nur zur Erleichterung der Handhabung. Bei Abweichungen von dem englischen Original gilt das englische Original. The german version of this drawing has been offered for convenience only and may deviate from the english original. In case of any deviation the English version shall prevail.

1 2 3 4 5 6 7 8

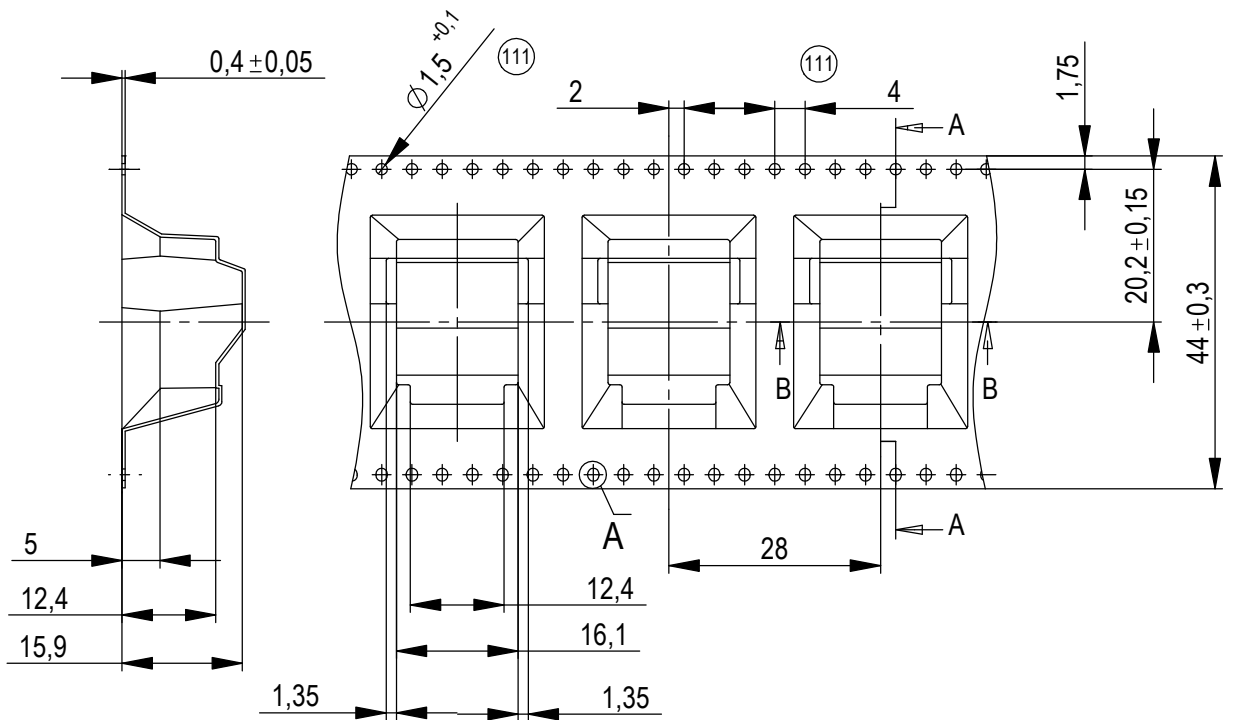
A
B
C
D
E
F

Detail A

Section B-B

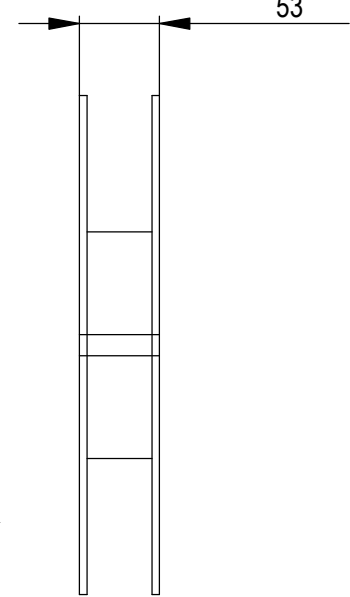
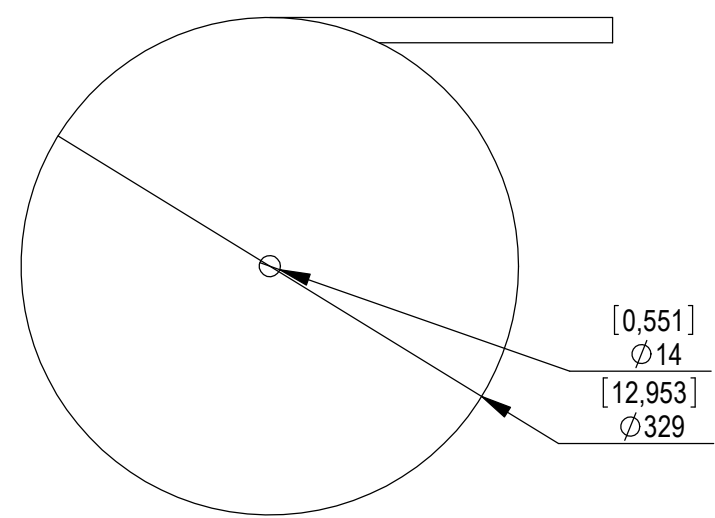


Section A-A



TAPE AND REEL INFORMATION
VERPACKT IN GURTVERPACKUNG
120 CONNECTORS PER REEL

[2,087]
53

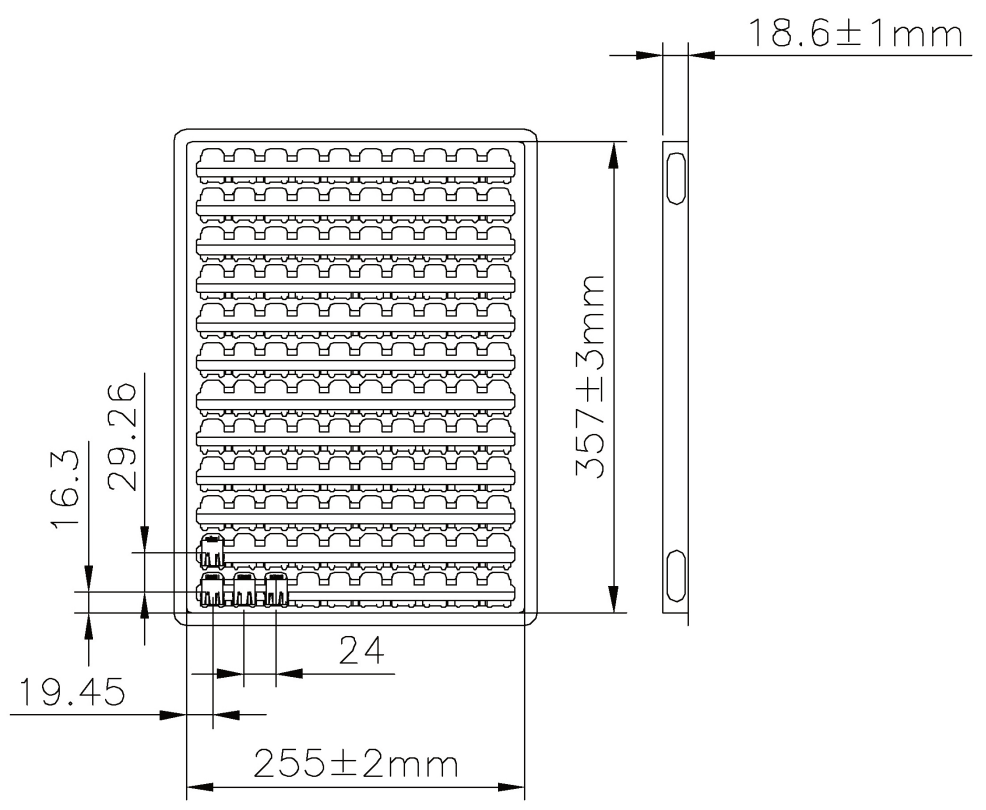


203422 TAPE & REEL PACKAGE

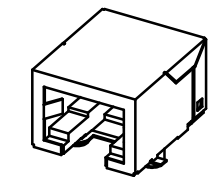
- NOTE 1: 10 SPROCKET HOLE PITCH CUMULATIVE TOLERANCE ±0.2
- NOTE 2: CAMBER NOT TO EXCEED 1 mm IN 100 mm
- NOTE 3: MATERIAL: CLEAR ADVANTEK POLYSTYRENE
- NOTE 4: MEASURED FROM A PLANE ON THE INSIDE BOTTOM OF THE POCKET TO THE TOP SURFACE OF THE CARRIER
- NOTE 5: POCKET POSITION RELATIVE TO SPROCKET HOLE MEASURED AS TRUE POSITION OF POCKET, NOT POCKET HOLE

Weitergabe sowie Vervielfältigung dieses Dokuments, Verwertung und Mitteilung seines Inhalts sind verboten, soweit nicht ausdrücklich gestattet. Zuwiderhandlungen verpflichten zu Schadenersatz. Alle Rechte für den Fall der Patent-, Gebrauchsmuster- oder Geschmacksmusterertragung vorbehalten. The reproduction, distribution and utilization of this document as well as the communication of its contents to others without express authorization is prohibited. Offenders will be held liable for the payment of damages. All rights reserved in the event of the grant of a patent, utility model or design.

Die deutsche Version dieser Zeichnung dient nur zur Erleichterung der Handhabung. Bei Abweichungen von dem englischen Original gilt das englische Original. The german version of this drawing has been offered for convenience only and may deviate from the english original. In case of any deviation the English version shall prevail.



133611 TRAY PACKAGE



1:1

Dimension no.	Tolerances Dim. for Information ISO 8015		Scale 2:1
Customer drawing: All rights reserved. Only for Information. To ensure that this is the latest version of this drawing, please contact one of the ERNI companies before using.		Material	
Subject to modification without prior notice. Drawing will not be updated.		Modular Jack Finale Connector MJLS 8P8C, 1X1, SMT	
ERNI International AG Zürichstrasse 72 8306 Brüttisellen - Zürich Switzerland		203499	
c	26.01.2022	I	
Index	Date	A3	
Class		MJ	

1 2 3 4