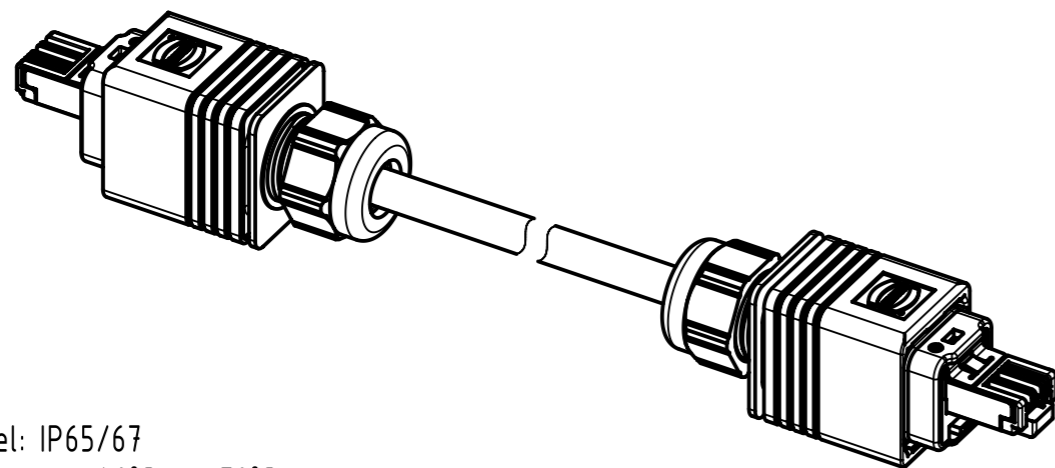
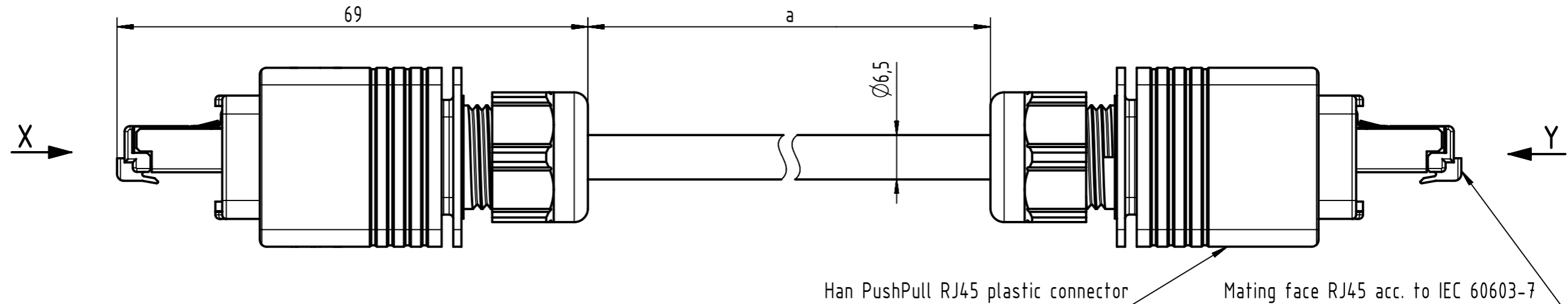


Connector Location A

Connector Location B

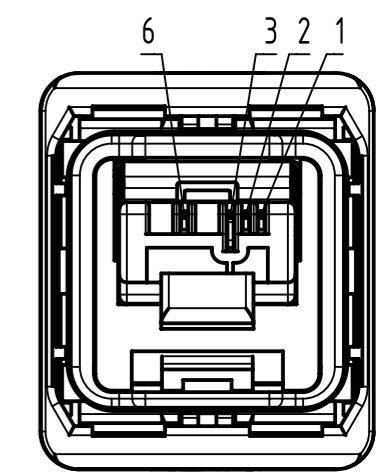
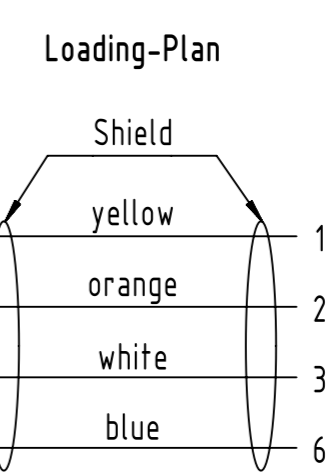
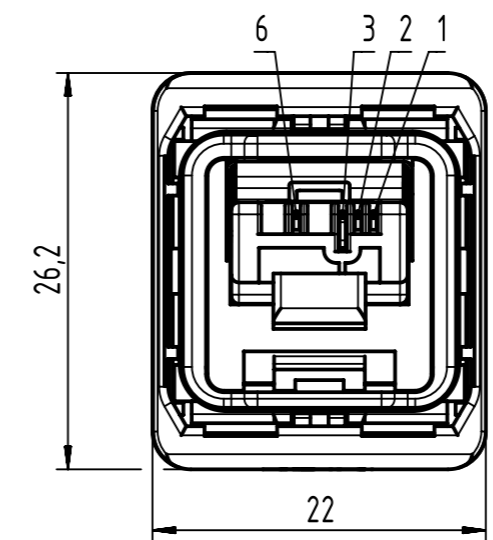


- Protection level: IP65/67
- Temperature range: -40°C ... +70°C

|                  |                 |   |                  |
|------------------|-----------------|---|------------------|
| 22               | 094 75555022    | RJ45 Ethernet standard cable,<br>AWG22/1, 2x2x0.64, PVC, Cat. 5+, green | 100              |
| 21               | 094 75555021    |   | 90               |
| 20               | 094 75555020    |   | 80               |
| 19               | 094 75555019    |   | 70               |
| 18               | 094 75555018    |   | 60               |
| 17               | 094 75555017    |   | 50               |
| 16               | 094 75555016    |   | 40               |
| 15               | 094 75555015    |   | 30               |
| 14               | 094 75555014    |   | 20               |
| 13               | 094 75555013    |   | 15               |
| 12               | 094 75555012    |   | 10               |
| 11               | 094 75555011    |   | 9                |
| 10               | 094 75555010    |   | 8                |
| 9                | 094 75555009    |   | 7                |
| 8                | 094 75555008    |   | 6                |
| 7                | 094 75555007    |   | 5                |
| 6                | 094 75555006    |   | 4                |
| 5                | 094 75555005    |   | 3                |
| 4                | 094 75555004    |   | 2                |
| 3                | 094 75555003    |   | 1.5              |
| 2                | 094 75555002    |   | 1                |
| 1                | 094 75555001    |   | 0.5              |
| <b>Cont. no.</b> | <b>Part no.</b> | <b>Type of cable</b>  | <b>Dim. a[m]</b> |

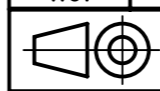
X male

Y male



|   |                     |                                       |                        |                             |  |                        |
|---|---------------------|---------------------------------------|------------------------|-----------------------------|--|------------------------|
|   | All rights reserved | Created by<br>STOCHECIC               | Inspected by<br>COSTEA | Standardisation<br>MUNTEANV | Date<br>2018-07-18                                       | State<br>Final Release |
|   | Department HCS - RO | Title<br>RJ Industrial Cable Assembly |                        |                             | Doc-Key / ECM-Nr.<br>100155398/UGD/004/C<br>500000137411 |                        |
| HARTING Customised Solutions<br>D-32339 Espelkamp | Type<br>TB          | Number<br>094 75555XXX                |                        |                             | Rev.<br>C  | Page<br>1/2            |

|   | 1         | 2           | 3   | 4         | 5           | 6           | 7   | 8         |
|---|-----------|-------------|---|-----------|-------------|-------------|---|-----------|
| A |           |             |   |           |             |             |   |           |
| B | 66        | 09475555082 | RJ45 Ethernet trailing cable,<br>AWG22/7, 2x2x0.75, PUR, Cat. 5+, green | 100       | 110         | 09475555182 | HARTING PROFINET, Type C, torsional<br>stress cable, 4-wire, Cat. 5, PUR, green | 100       |
|   | 65        | 09475555081 |   | 90        | 109         | 09475555181 |   | 90        |
|   | 64        | 09475555080 |   | 80        | 108         | 09475555180 |   | 80        |
|   | 63        | 09475555079 |   | 70        | 107         | 09475555179 |   | 70        |
|   | 62        | 09475555078 |   | 60        | 106         | 09475555178 |   | 60        |
|   | 61        | 09475555077 |   | 50        | 105         | 09475555177 |   | 50        |
|   | 60        | 09475555076 |   | 40        | 104         | 09475555176 |   | 40        |
|   | 59        | 09475555075 |   | 30        | 103         | 09475555175 |   | 30        |
|   | 58        | 09475555074 |   | 20        | 102         | 09475555174 |   | 20        |
|   | 57        | 09475555073 |   | 15        | 101         | 09475555173 |   | 15        |
|   | 56        | 09475555072 |   | 10        | 100         | 09475555172 |   | 10        |
|   | 55        | 09475555071 |   | 9         | 99          | 09475555171 |   | 9         |
|   | 54        | 09475555070 |   | 8         | 98          | 09475555170 |   | 8         |
|   | 53        | 09475555069 |   | 7         | 97          | 09475555169 |   | 7         |
|   | 52        | 09475555068 |   | 6         | 96          | 09475555168 |   | 6         |
|   | 51        | 09475555067 |   | 5         | 95          | 09475555167 |   | 5         |
|   | 50        | 09475555066 |   | 4         | 94          | 09475555166 |   | 4         |
|   | 49        | 09475555065 |   | 3         | 93          | 09475555165 |   | 3         |
|   | 48        | 09475555064 |   | 2         | 92          | 09475555164 |   | 2         |
|   | 47        | 09475555063 |   | 1.5       | 91          | 09475555163 |   | 1.5       |
|   | 46        | 09475555062 | 1   | 90        | 09475555162 | 1           |   |           |
|   | 45        | 09475555061 | 0.5   | 89        | 09475555161 | 0.5         |   |           |
|   | 44        | 09475555052 | 100   | 88        | 09475555112 | 100         |   |           |
| D | 43        | 09475555051 | 90  | 87        | 09475555111 | 90          |   |           |
|   | 42        | 09475555050 | 80  | 86        | 09475555110 | 80          |   |           |
|   | 41        | 09475555049 | 70  | 85        | 09475555109 | 70          |   |           |
|   | 40        | 09475555048 | 60  | 84        | 09475555108 | 60          |   |           |
|   | 39        | 09475555047 | 50  | 83        | 09475555107 | 50          |   |           |
|   | 38        | 09475555046 | 40  | 82        | 09475555106 | 40          |   |           |
|   | 37        | 09475555045 | 30  | 81        | 09475555105 | 30          |   |           |
|   | 36        | 09475555044 | 20  | 80        | 09475555104 | 20          |   |           |
|   | 35        | 09475555043 | 15  | 79        | 09475555103 | 15          |   |           |
|   | 34        | 09475555042 | 10  | 78        | 09475555102 | 10          |   |           |
|   | 33        | 09475555041 | 9   | 77        | 09475555101 | 9           |   |           |
|   | 32        | 09475555040 | 8   | 76        | 09475555100 | 8           |   |           |
|   | 31        | 09475555039 | 7   | 75        | 09475555099 | 7           |   |           |
|   | 30        | 09475555038 | 6   | 74        | 09475555098 | 6           |   |           |
|   | 29        | 09475555037 | 5   | 73        | 09475555097 | 5           |   |           |
|   | 28        | 09475555036 | 4   | 72        | 09475555096 | 4           |   |           |
|   | 27        | 09475555035 | 3   | 71        | 09475555095 | 3           |   |           |
|   | 26        | 09475555034 | 2   | 70        | 09475555094 | 2           |   |           |
|   | 25        | 09475555033 | 1.5   | 69        | 09475555093 | 1.5         |   |           |
|   | 24        | 09475555032 | 1   | 68        | 09475555092 | 1           |   |           |
|   | 23        | 09475555031 | 0.5   | 67        | 09475555091 | 0.5         |   |           |
|   | Cont. no. | Part no.    | Type of cable   | Dim. a[m] | Cont. no.   | Part no.    | Type of cable   | Dim. a[m] |
| E |           |             |   |           |             |             |   |           |
| F |           |             |   |           |             |             |   |           |

|   |                      |                                    |              |                 |            |  |  |
|---|----------------------|------------------------------------|--------------|-----------------|------------|--|--|
|  | All Dimensions in mm | Tech. Character.                   |              | Free size tol.  |            | According to production drawing                          |  |
| All rights reserved   |                      | Created by                         | Inspected by | Standardisation | Date       | State  |  |
| Department HCS - RO   |                      | STOCHECIC                          | COSTEA       | MUNTEANV        | 2018-07-18 | Final Release  |  |
| HARTING Customised Solutions  |                      | Title RJ Industrial Cable Assembly |              |                 |            | Doc-Key / ECM-Nr.<br>100155398/UGD/004/C<br>500000137411 |  |
| D-32339 Espelkamp   |                      | Type                               | Number       |                 | Rev.       | Page   |  |
|   |                      | TB                                 | 09475555XXX  |                 | C          | 2/2  |  |

# Mouser Electronics

Authorized Distributor

Click to View Pricing, Inventory, Delivery & Lifecycle Information:

## HARTING:

[09475555037](#) [09475555042](#) [09475555044](#) [09475555074](#) [09475555093](#) [09475555012](#) [09475555014](#)  
[09475555033](#) [09475555063](#) [09475555104](#) [09475555007](#) [09475555065](#) [09475555072](#) [09475555003](#) [09475555005](#)  
[09475555035](#) [09475555067](#) [09475555095](#) [09475555097](#) [09475555102](#)