

4

3

2

1

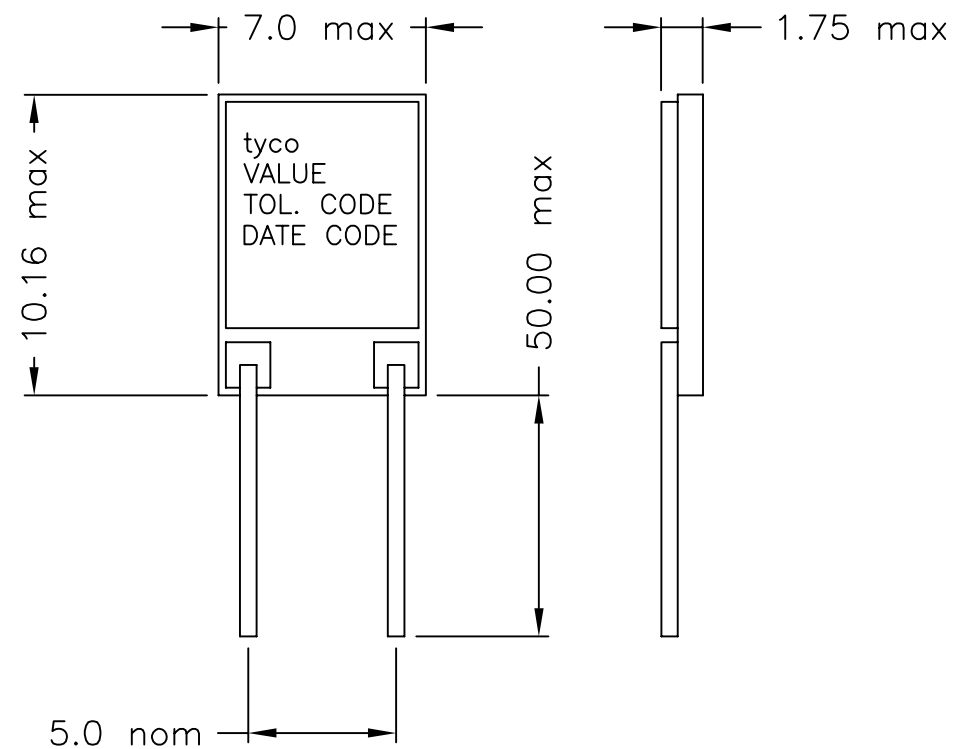
THIS DRAWING IS UNPUBLISHED.

RELEASED FOR PUBLICATION

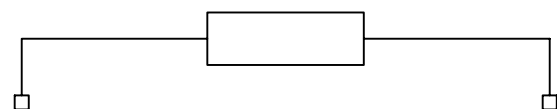
NOV ,2005.

© COPYRIGHT 2005 BY TYCO ELECTRONICS CORPORATION. ALL RIGHTS RESERVED.

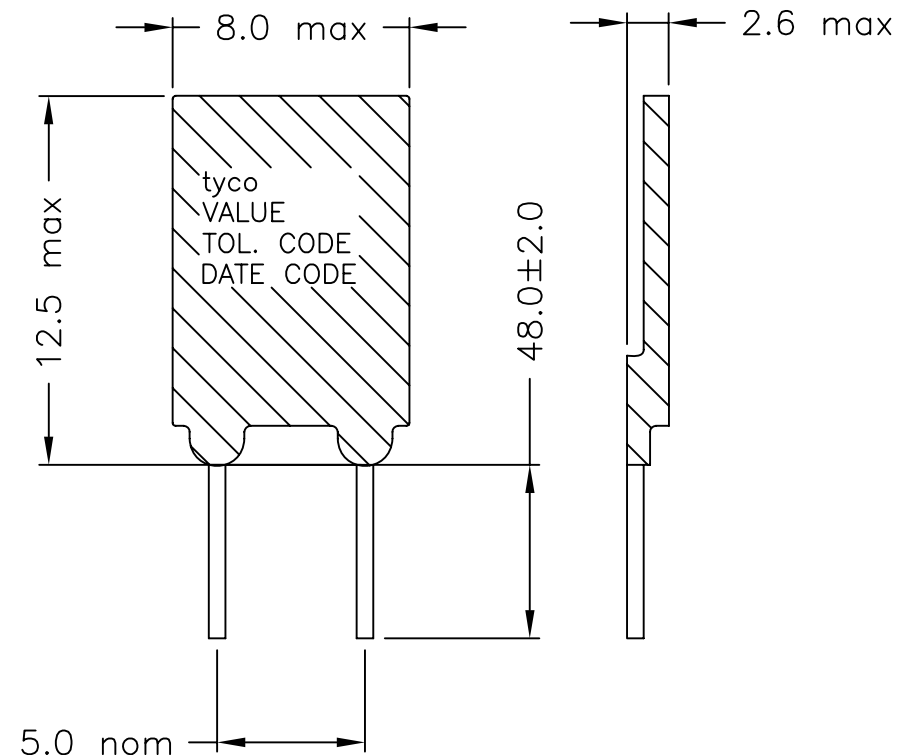
LOC	DIST	REVISIONS					
		P	LTR	DESCRIPTION	DATE	DWN	APVD
E	B		C	ECR-06-002357	30JAN06	DK	JC



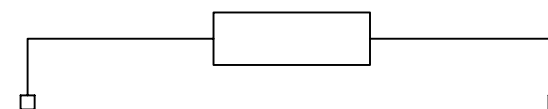
DESCRIPTION: THICK FILM RESISTOR
 LEAD MATERIAL: 0.56 DIA T.C.W.
 HYBRID PROTECTION: SCREEN PRINTED SILICONE COATING
 MARKING: AS SHOWN (TO NON RESISTOR FACE)



RATED DISSIPATION - AT 20°C 0.8W*
 - AT 70°C 0.4W
 OHMIC RANGE 1K - 100K
 MAX WORKING VOLTAGE 240V DC
 TCR 20 - 70°C ±300ppm/°C
 VCR 100 - 1000V DC ΔR<3%
 STABILITY - 100h AT 20°C 0.8W ΔR<2%



DESCRIPTION: THICK FILM HV. RESISTOR
 LEAD MATERIAL: 0.56 DIA T.C.W.
 HYBRID PROTECTION: CONFORMAL EPOXY COATING
 MARKING: AS SHOWN (TO NON RESISTOR FACE)



RATED DISSIPATION - AT 20°C 0.8W*
 - AT 70°C 0.4W
 OHMIC RANGE 1K - 120M*
 MAX WORKING VOLTAGE 1000V DC
 TCR 20 - 70°C ±300ppm/°C
 VCR 100 - 1000V DC ΔR<3%
 STABILITY - 100h AT 20°C 0.8W ΔR<2%

* NOTE: CRITICAL VALUE IS 1.25M. MAX VOLTS AT 1K IS 280V DC

RoHS Compliant

FOR A SPECIFIC PN FOR A RESISTANCE VALUE AND TOLERANCE, PLEASE REFER TO DMF.

THIS DRAWING IS A CONTROLLED DOCUMENT.		DWN DAVE KENNEDY 01NOV2005	 Tyco Electronics Corporation Dorcan, Swindon, SN3 5HH	
DIMENSIONS: MM		CHK J CATCHPOLE 02NOC05	NAME HBA SERIES RESISTOR	
		APVD J CATCHPOLE 02NOV05	PRODUCT SPEC	
TOLERANCES UNLESS OTHERWISE SPECIFIED:		APPLICATION SPEC		
0 PLC ± - 1 PLC ± - 2 PLC ± - 3 PLC ± - 4 PLC ± - ANGLES ± -		SIZE A3		
MATERIAL		WEIGHT		CAGE CODE 00779
FINISH		DRAWING NO C=1625960		RESTRICTED TO
CUSTOMER DRAWING			SCALE NTS	SHEET 1 OF 1
			REV C	

Mouser Electronics

Authorized Distributor

Click to View Pricing, Inventory, Delivery & Lifecycle Information:

[TE Connectivity:](#)

[HBA33MFZRE](#)