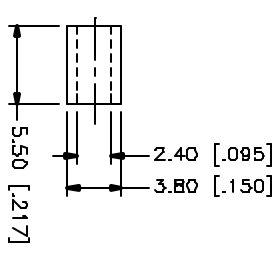
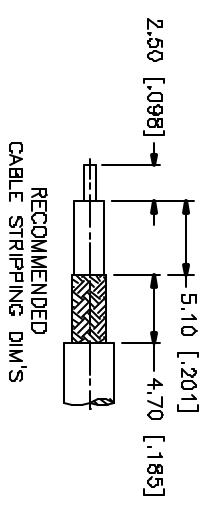
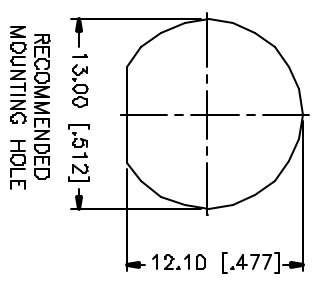
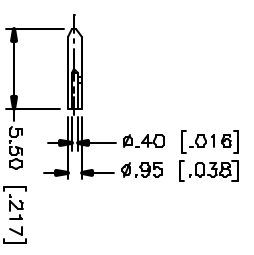
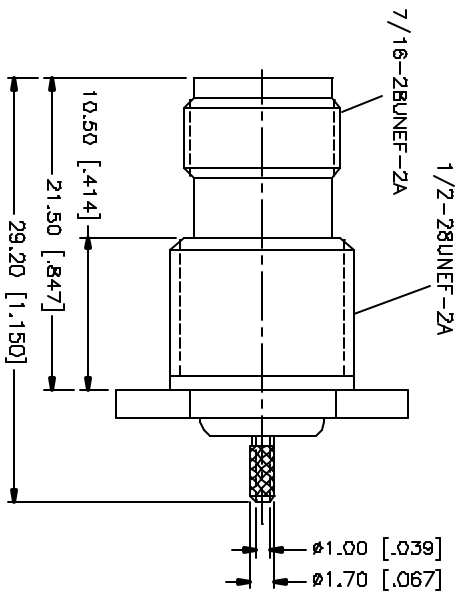
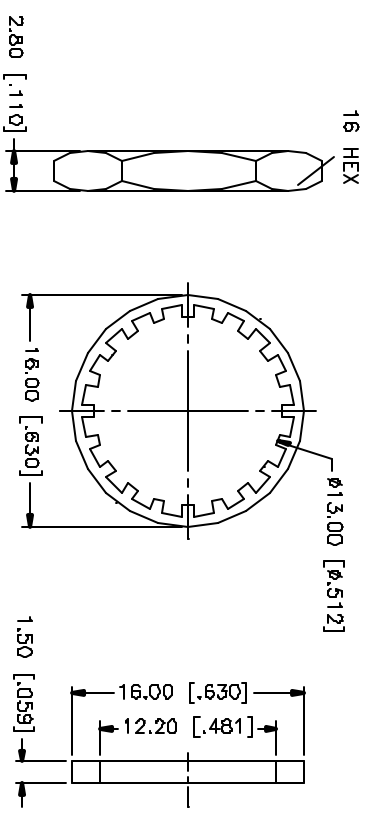


REV.	DATE	DESCRIPTION
A	06/29/04	UPDATE DRAWING FORMAT



CRIMP NOTES:

1. CRIMPED FERRULE
HEX CRIMP SIZE .128"
2. CRIMPED CONTACT PIN
SQ. CRIMP SIZE .7mm

QTY	FINISH	MATERIAL	DESCRIPTION
1	NICKEL	COPPER	FERRULE
1	NICKEL	BRASS	HEX NUT
1	NICKEL	BRASS	LOCK WASHER
1	RED	RUBBER	GASKET
1	COLD	PHOS. BRONZE	CONTACT PIN
1	NATURAL	DELFIN	INSULATOR
1	NICKEL	BRASS	HOUSING/BODY

PLEASE REFER TO THE CRIMPING INSTRUCTIONS FOR THE CRIMPING OF THE FERRULES AND THE CONTACT PINS. THE CRIMPING OF THE FERRULES AND THE CONTACT PINS IS THE RESPONSIBILITY OF THE USER. THE CRIMPING OF THE FERRULES AND THE CONTACT PINS IS THE RESPONSIBILITY OF THE USER. THE CRIMPING OF THE FERRULES AND THE CONTACT PINS IS THE RESPONSIBILITY OF THE USER.

APPROVALS	DATE
G.R.S.	06/29/04

Amphenol Connex

PART DESCRIPTION
TNC BULKHEAD CRIMP JACK
(FOR RG-178B/U, 196A/U - 6.5mm PANEL)

PART NO. **122403**

DWG. NO. 122403.DWG

REV. A SIZE A SCALE NA

Mouser Electronics

Authorized Distributor

Click to View Pricing, Inventory, Delivery & Lifecycle Information:

[Amphenol:](#)

[122403](#)