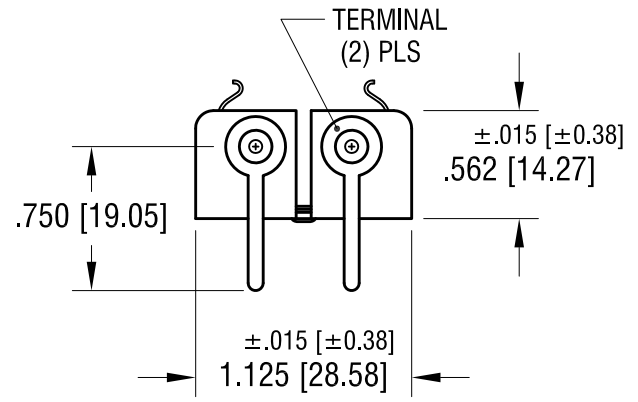
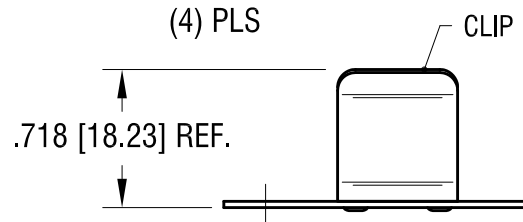
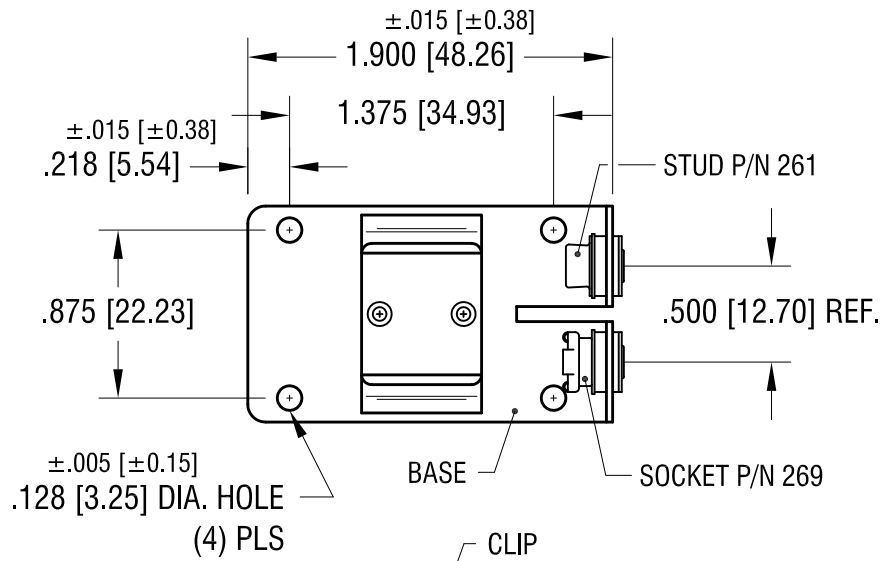
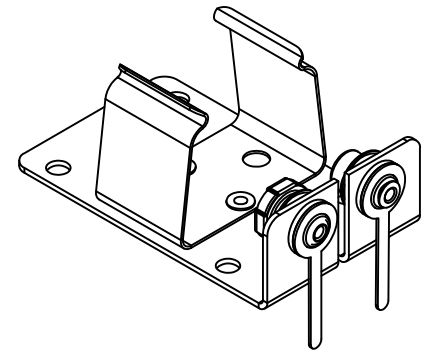
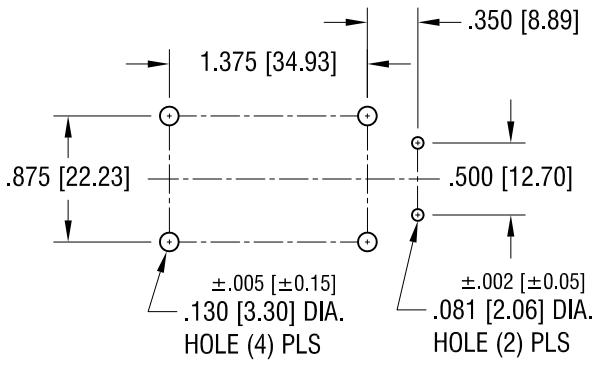


THIS DOCUMENT IS THE PROPERTY OF KEYSTONE ELECTRONICS CORP. AND SHALL NOT BE REPRODUCED, DISTRIBUTED OR USED AS A BASIS FOR MANUFACTURE WITHOUT PRIOR WRITTEN PERMISSION FROM KEYSTONE ELECTRONICS CORP.

MOUNTING DETAIL



- NOTES:**
 1. BASE: MAT'L - .032 [.81] TH'K ALUMINUM
 CLIP: MAT'L - .016 [.41] TH'K STEEL, NICKEL PLATE
 CONTACT: MAT'L - STEEL, NICKEL PLATE
 TERMINAL: MAT'L - BRASS, TIN PLATE
 EYELET: MAT'L - BRASS, TIN PLATE

11.2.98	CHANGE AS PER ECR 98-017	C
5.30.89	REVISED	B
3.30.82	REVISED	A
DATE	DESCRIPTION	REV.

KEYSTONE ELECTRONICS CORP.			
www.keyelco.com • ASTORIA, N.Y. 11105-2017 • Tel (718) 956-8900			
PART NAME			
9 VOLT SNAP-IN BATTERY HOLDER			
MATERIAL			
AS NOTED			
FINISH		DRN BY	DATE
AS NOTED		BOONE	1.21.82
		APP'D	SCALE
		LN	1X
TOLERANCES	INCH [MM]	CODE	DWG NO.
DECIMAL	±.010 [±0.25]	C	1291
ANGULAR	± 1°		
UNLESS OTHERWISE SPECIFIED			

Mouser Electronics

Authorized Distributor

Click to View Pricing, Inventory, Delivery & Lifecycle Information:

[Keystone Electronics:](#)

[1291](#)