

Micro-Tech® "machined" cutters

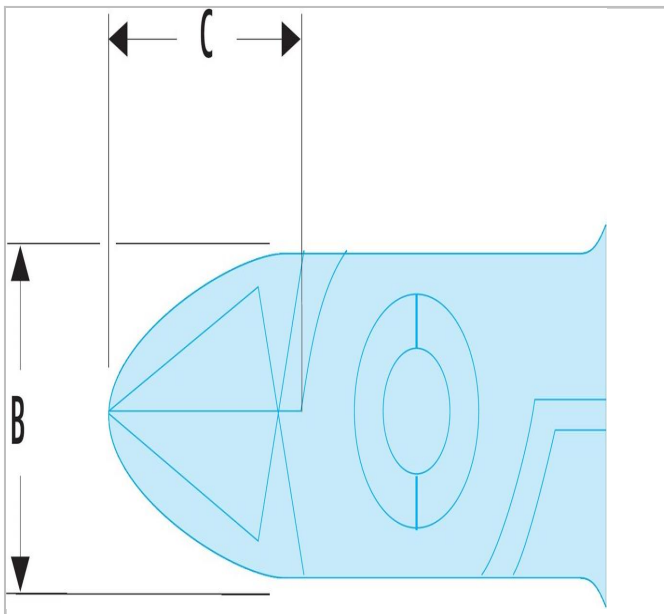



Standards:

NF ISO 9654, ISO 9654, DIN ISO 9654, ASME B107.500

Description:

- Compact noses for difficult access.
- Fall prevention models avoid wire ejection.



	Length L [mm]	Thickness E [mm]	Head Height C [mm]	Head Width B [mm]	Cu - Ni Diameter [mm]	Cut ["]	Fe Wire 30 HRc Diameter [mm]	Weight [g]
416.MT	110.0	7.0	10.5	10.5	0.1 - 1	H	0.5	60.0
416.RMT	110	7	10.5	10.5				