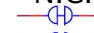

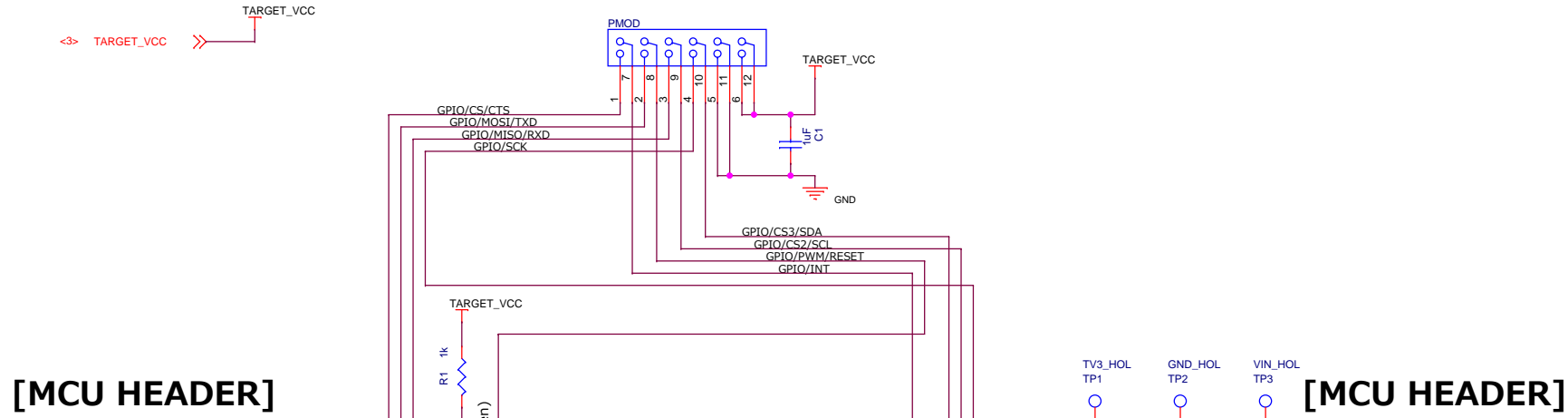


# RL78/G1P Fast Prototyping Board Schematic (ProductNo:RTK5RLG1P0C00000BJ)

PAGE	DESCRIPTION
1	Index
2	Target MCU
3	Target MCU peri,Power
4	Emulator Circuit

Note:  
 C : Capacitor  
 D : Diode  
 R : Fixed Resistor  
 U : Integrated Circuit  
 X : Crystal, Oscillator  
 SW : Switch  
 LED : Light Emitting Diode  
 J : Connector  
 N.C. : Not connected  
 SS:short-pad short-type(Default:short)  
 SC:short-pad cut-type(Default:Open)  
 \* "DNF" marking means that component is not fitted by default

# [Pmod]



# [MCU HEADER]

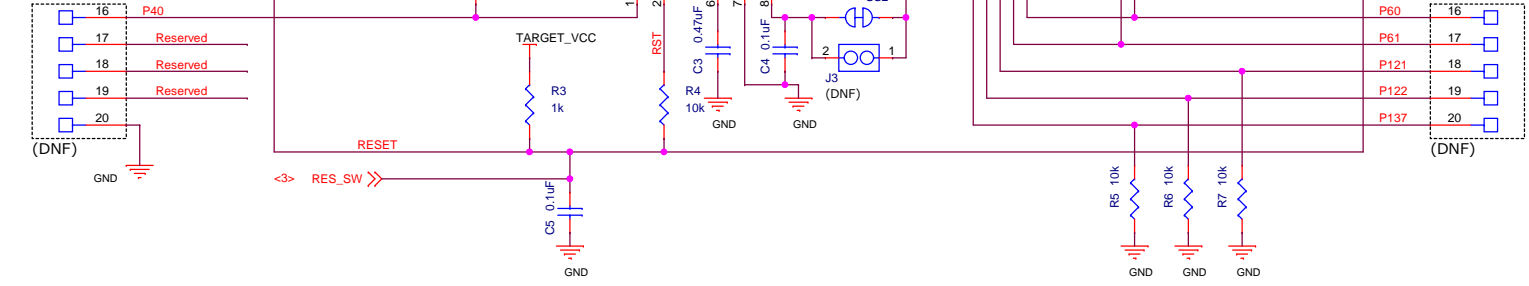
# [MCU HEADER]

# [Arduino]

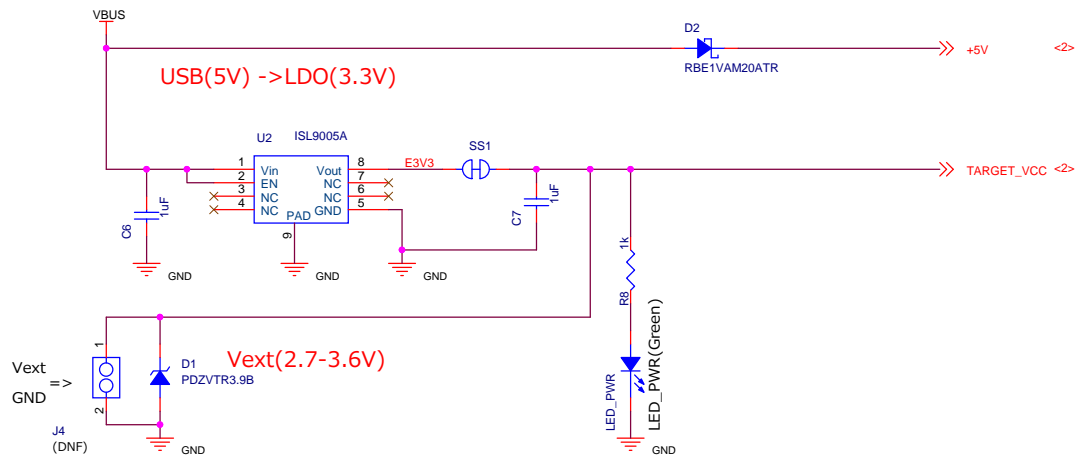
# [Arduino]

- D1/TX
- D0/RX
- RESET
- GND
- D2
- D3
- D4
- D5
- D6
- D7
- D8
- D9
- D10
- D11/MOSI
- D12/MISO

- VIN
- GND
- RESET
- +5V
- 5V
- A7
- A6
- A5
- A4
- A3
- A2
- A1
- A0
- AREF
- 3.3V
- D13/SCK



# [POWER BLOCK]



# [RESET SW]



# [Emulator BLOCK]

