

SACC-DSI-M8FS-4CON-M10-L180 SH - Device connector, rear mounting



1456129

<https://www.phoenixcontact.com/us/products/1456129>

Please be informed that the data shown in this PDF document is generated from our Online Catalog. Please find the complete data in the user documentation. Our General Terms of Use for Downloads are valid.



Device connector, rear mounting, 4-position, Socket, straight, M8, Rear mounting, M10, Solder pins

Your advantages

- Easy PCB assembly: one-piece connectors for wave soldering
- Standard pin assignments and codings for signal transmission with a uniform design-in design
- For high transmission reliability: optional shield connection to the housing and latching on the PCB

Commercial Data

Item number	1456129
Packing unit	1 pc
Minimum order quantity	20 pc
Sales Key	AB22
Product Key	ABQBAB
Catalog Page	Page 229 (C-2-2013)
GTIN	4046356605762
Weight per Piece (including packing)	6.679 g
Weight per Piece (excluding packing)	6.465 g
Customs tariff number	85366990
Country of origin	DE

SACC-DSI-M8FS-4CON-M10-L180 SH - Device connector, rear mounting



1456129

<https://www.phoenixcontact.com/us/products/1456129>

Technical Data

Notes

Notes on operation	The electrical and mechanical data specified assume that the connector pair is correctly locked and mounted. If the connector is unlocked and if there is a danger of contamination, the connector must be sealed using a protective cap > IP54. Influences arising from litz wires, cables or PCB assembly must also be taken into consideration.
--------------------	----------------------------------------------------------------------------------------------------------------------------------------------------------------------------------------------------------------------------------------------------------------------------------------------------------------------------------------------------

Mounting

Mounting type	Rear mounting M10 With flat nut
Assembly instructions	With flat nut

Product properties

Product type	Circular connectors (device side)
Number of positions	4
Shielded	yes
Coding	A
Thread type	M8

Insulation characteristics

Overvoltage category	II
Degree of pollution	3

Material specifications

Flammability rating according to UL 94	HB
Seal material	NBR
Contact material	Cu alloy
Contact surface material	Au
Contact carrier material	PA 6.6
Material for screw connection	Zinc die-cast, nickel-plated

Electrical properties

Rated surge voltage	1.5 kV
Contact resistance	$\leq 3 \text{ m}\Omega$
Insulation resistance	$\geq 100 \text{ M}\Omega$
Nominal voltage U_N	48 V AC
	60 V DC
Nominal current I_N	4 A

Connection data

Conductor connection

Connection method	Solder pins
-------------------	-------------

SACC-DSI-M8FS-4CON-M10-L180 SH - Device connector, rear mounting



1456129

<https://www.phoenixcontact.com/us/products/1456129>

Tightening torque	1 Nm
	1.5 Nm

Connector

Connection 1

Head design	Socket
Head cable outlet	straight
Head thread type	M8

Cable/line

Shielded	yes
----------	-----

Environmental and real-life conditions

Ambient conditions

Degree of protection	IP67
	IP67
Ambient temperature (operation)	-25 °C ... 85 °C
	-25 °C ... 85 °C

Standards and regulations

M8

Standards/specifications	IEC 61076-2-104
--------------------------	-----------------

SACC-DSI-M8FS-4CON-M10-L180 SH - Device connector, rear mounting

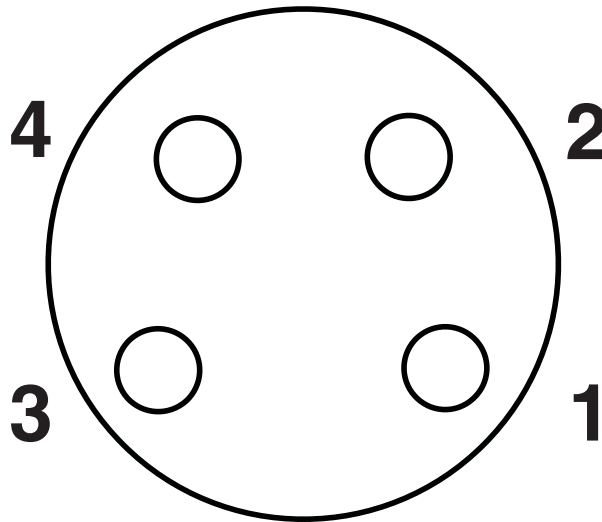


1456129

<https://www.phoenixcontact.com/us/products/1456129>

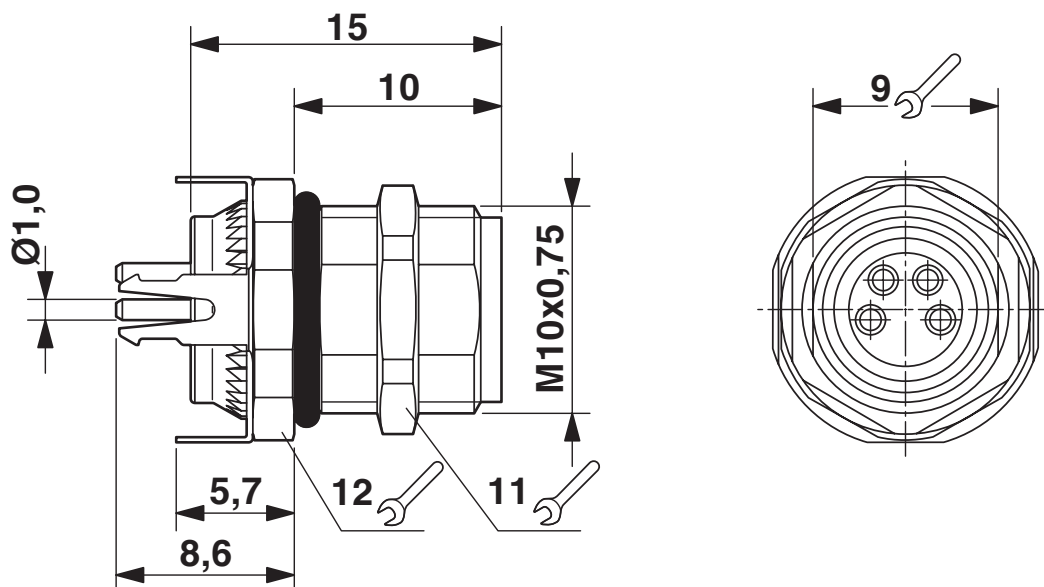
Drawings

Schematic diagram



Pin assignment M8 socket, 4-pos., view female side

Dimensional drawing



Dimensional drawing

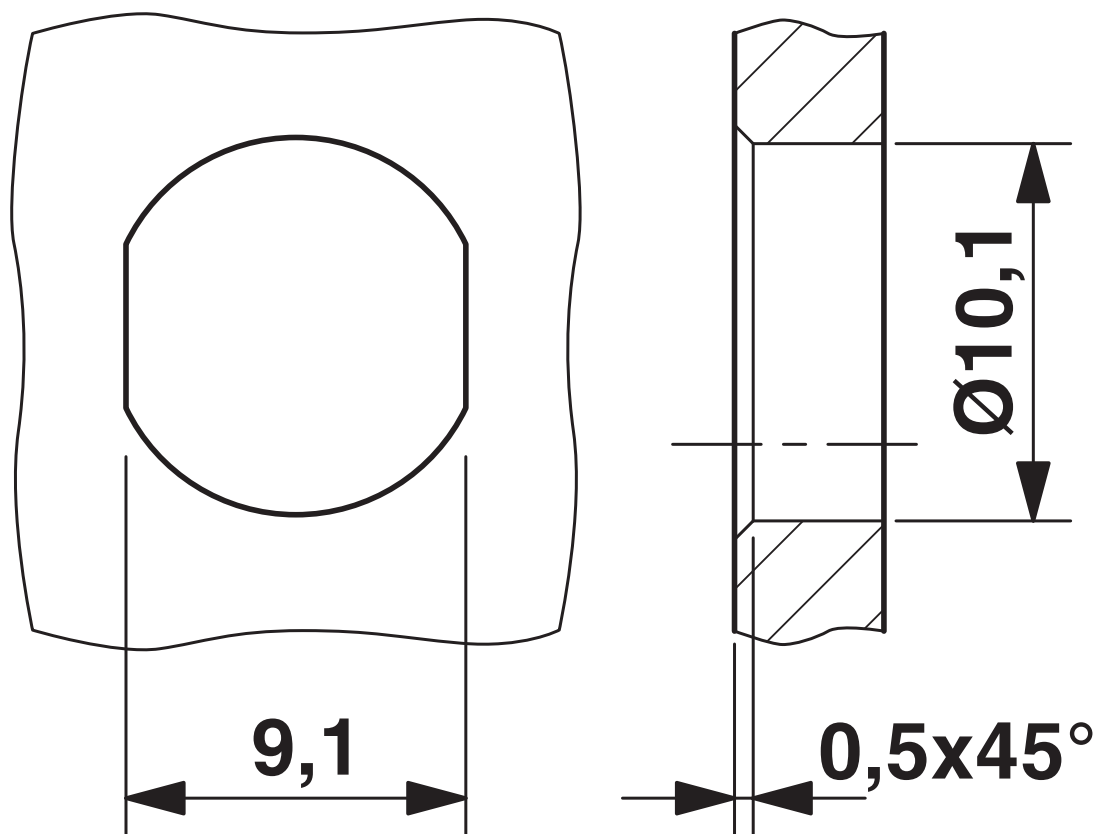
SACC-DSI-M8FS-4CON-M10-L180 SH - Device connector, rear mounting



1456129

<https://www.phoenixcontact.com/us/products/1456129>

Dimensional drawing



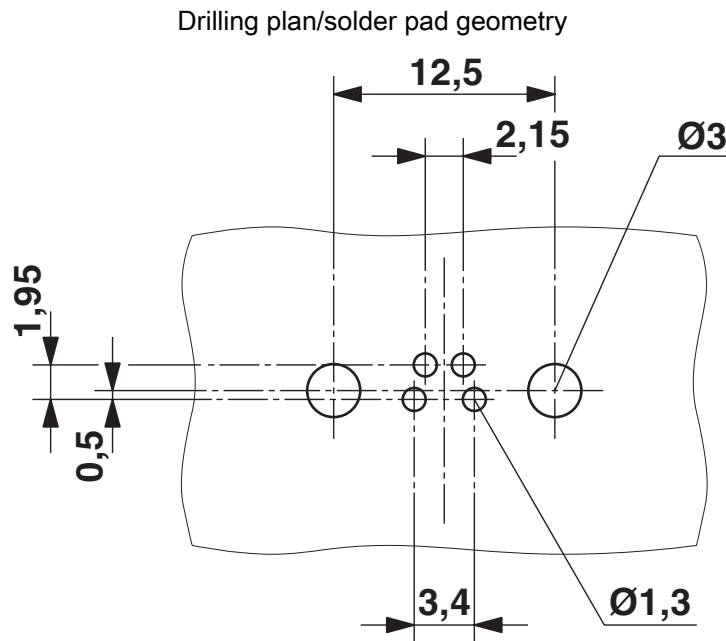
Mounting panel with feed-through hole

SACC-DSI-M8FS-4CON-M10-L180 SH - Device connector, rear mounting



1456129

<https://www.phoenixcontact.com/us/products/1456129>



Drilling diagram


SACC-DSI-M8FS-4CON-M10-L180 SH - Device connector, rear mounting





1456129

<https://www.phoenixcontact.com/us/products/1456129>

Approvals

	cUL Recognized Approval ID: FILE E 221474				
	Nominal Voltage U_N	Nominal Current I_N	Cross Section AWG	Cross Section mm^2	
	30 V	4 A	- 24	-	

	UL Recognized Approval ID: FILE E 221474				
	Nominal Voltage U_N	Nominal Current I_N	Cross Section AWG	Cross Section mm^2	
	30 V	4 A	- 24	-	

	EAC Approval ID: B.01687				
------------------------------------------------------------------------------------	------------------------------------	--	--	--	--

SACC-DSI-M8FS-4CON-M10-L180 SH - Device connector, rear mounting



1456129

<https://www.phoenixcontact.com/us/products/1456129>

Classifications

ECLASS

ECLASS-11.0	27440102
ECLASS-12.0	27440116
ECLASS-13.0	27440116

ETIM

ETIM 8.0	EC002635
----------	----------

UNSPSC

UNSPSC 21.0	39121400
-------------	----------

SACC-DSI-M8FS-4CON-M10-L180 SH - Device connector, rear mounting



1456129

<https://www.phoenixcontact.com/us/products/1456129>

Environmental Product Compliance

REACH SVHC	Lead 7439-92-1
China RoHS	Environmentally Friendly Use Period = 50 years
	For information on hazardous substances, refer to the manufacturer's declaration available under "Downloads"

Phoenix Contact 2023 © - all rights reserved
<https://www.phoenixcontact.com>

Phoenix Contact USA
586 Fulling Mill Road
Middletown, PA 17057, United States
(+717) 944-1300
info@phoenixcon.com