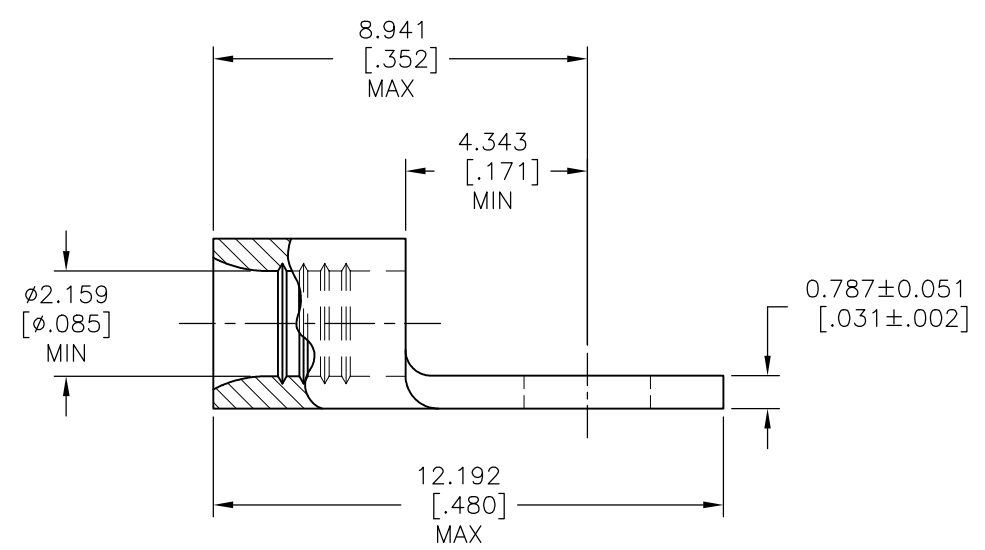
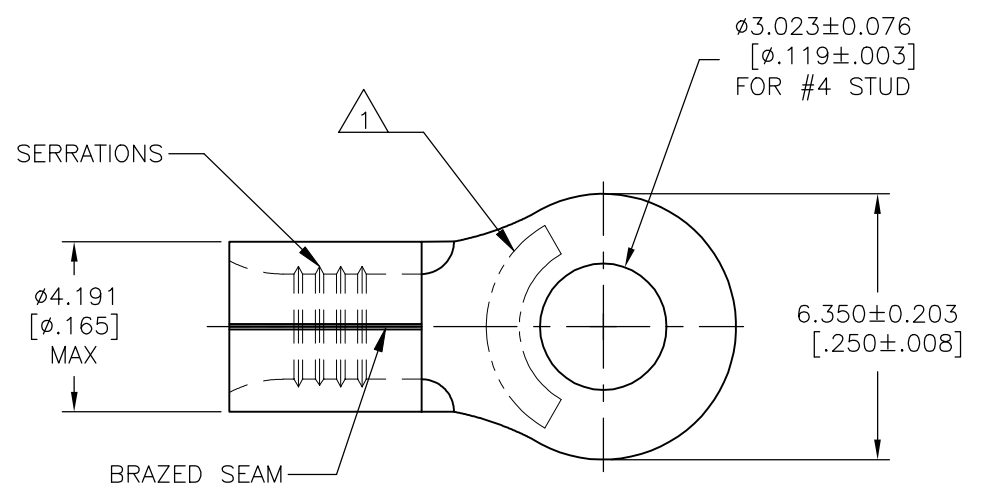


THIS DRAWING IS UNPUBLISHED. RELEASED FOR PUBLICATION
 © COPYRIGHT - By - ALL RIGHTS RESERVED.

REVISIONS				
P	LTR	DESCRIPTION	DATE	APVD
D1		REVISED PER ECO-11-004917	11MAR11	RK HMR
D2		REVISED PER ECO-18-009931	25JUN2018	RS DR



AMP WIRE RANGE	E13288 Listed
16-14 AWG SOLID OR STRANDED	16-14 AWG SOLID OR STRANDED
LR7189 Certified	MILITARY P/N AND CLASS
16-14 AWG SOLID OR STRANDED	M7928/7-11 CLASS 2 P/N 34119 & 2-34119-1 ONLY

- 1 STAMP AMP 16-14* APPROX AS SHOWN
- 2 0.00254 [.000100] MIN TIN PLATE PER ASTM B-545
- 3 NOTE DELETED
- 4 0.00254 [.000100] MIN TIN/LEAD(93/7) PLATE PER ASTM B545 (3% MIN LEAD CONTENT)

AMP INCORPORATED CUSTOMER SERVICE SYSTEMS		MAX RECOMMENDED OPERATING TEMPERATURE: 170° C [338°F] MAX
FOR ADDITIONAL PRODUCT INFORMATION OR COPIES OF DRAWINGS AND TECHNICAL DOCUMENTS	PRODUCT INFORMATION CENTER 1-800-522-6752	VOLTAGE RATING: NOT APPLICABLE
FOR APPLICATION TOOLING INFORMATION	TOOLING ASSISTANCE CENTER 1-800-722-1111	WIRE CROSS SECTIONAL AREA RANGE: 1.04-2.62mm ² [2,050-5,180] CIR MILS SOLID OR STRANDED
FOR ORDER ENTRY	1-800-526-5142	THIS DRAWING IS A CONTROLLED DOCUMENT FOR AMP INCORPORATED. IT IS SUBJECT TO CHANGE AND THE CONTROLLING ENGINEERING ORGANIZATION SHOULD BE CONTACTED FOR THE LATEST REVISION.

THIS DRAWING IS A CONTROLLED DOCUMENT.		DWN TA BRINKMAN 3-11-93	TE Connectivity Ltd.	
DIMENSIONS: mm [INCHES]		CHK DA PATTERSON 3-11-93		
TOLERANCES UNLESS OTHERWISE SPECIFIED:		APVD DE MILLER 3-11-93	NAME TERMINAL, RING TONGUE, SOLISTRAND 16-14 AWG	
0 PLC ± - 1 PLC ± - 2 PLC ± - 3 PLC ± 0.127[.005] 4 PLC ± -		PRODUCT SPEC UL486 A-B	SIZE A2	CAGE CODE 00779
FINISH SEE TABLE		APPLICATION SPEC -	DRAWING NO C-34119	RESTRICTED TO -
MATERIAL COPPER PER ASTM B-152 ANNEALED		WEIGHT -	CUSTOMER DRAWING	
		SCALE 10:1	SHEET 1 OF 1	REV D2

4	1000	LOOSE PIECE	34119-2
2	5000	ON TAPE	2-34119-1
	1000	LOOSE PIECE	34119
FINISH	QUANTITY	PACKAGING TYPE	PART NO