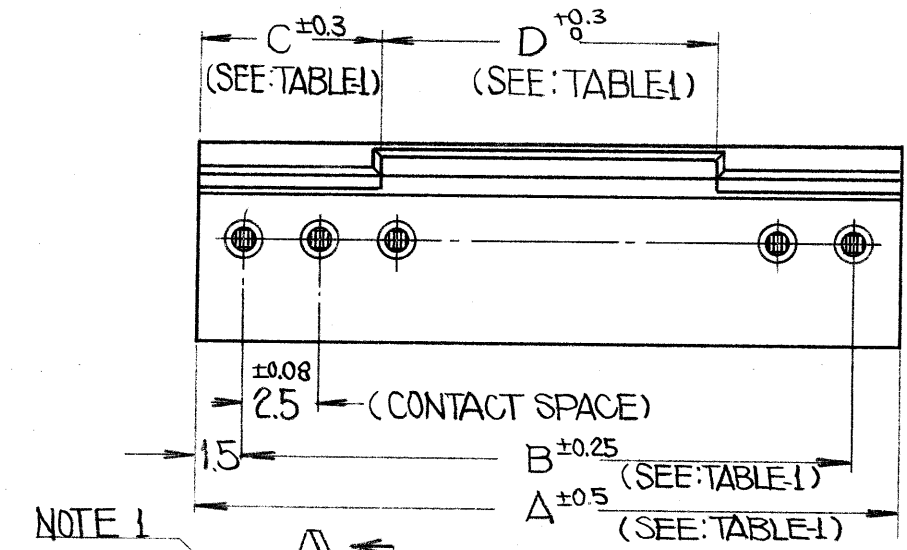


DWG. NO. SJ015093-E
 SYM. 1

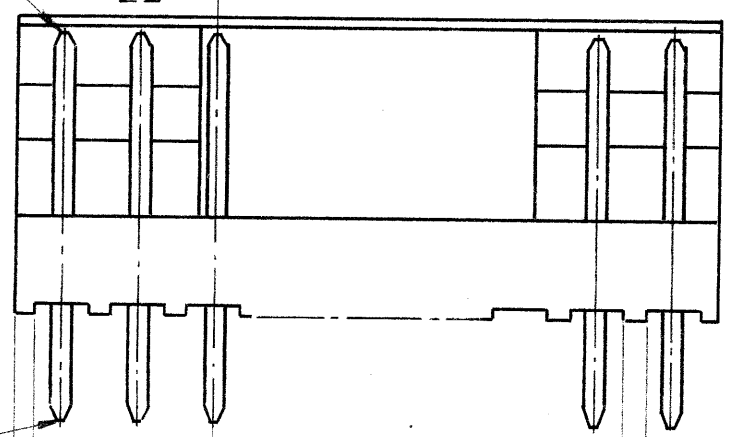
SYM.	DCN NO.	DESCRIPTION	DATE	DRAWN	CHECKED	APP'D	APP'D
------	---------	-------------	------	-------	---------	-------	-------

TABLE-1

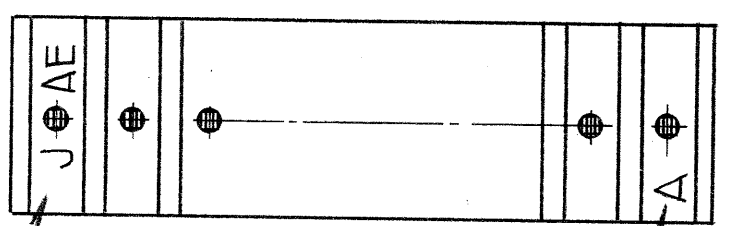
NO. OF CONTACTS	DIM.	A ± 0.5	B ± 0.25	C ± 0.3	D ± 0.3
2		5.5	2.5	2	1.5
3		8	5	3	2
4		10.5	7.5	4	2.5
5		13	10	5	3
6		15.5	12.5	6	3.5
7		18	15	6	6
8		20.5	17.5	6	8.5
9		23	20	6	11
10		25.5	22.5	6	13.5



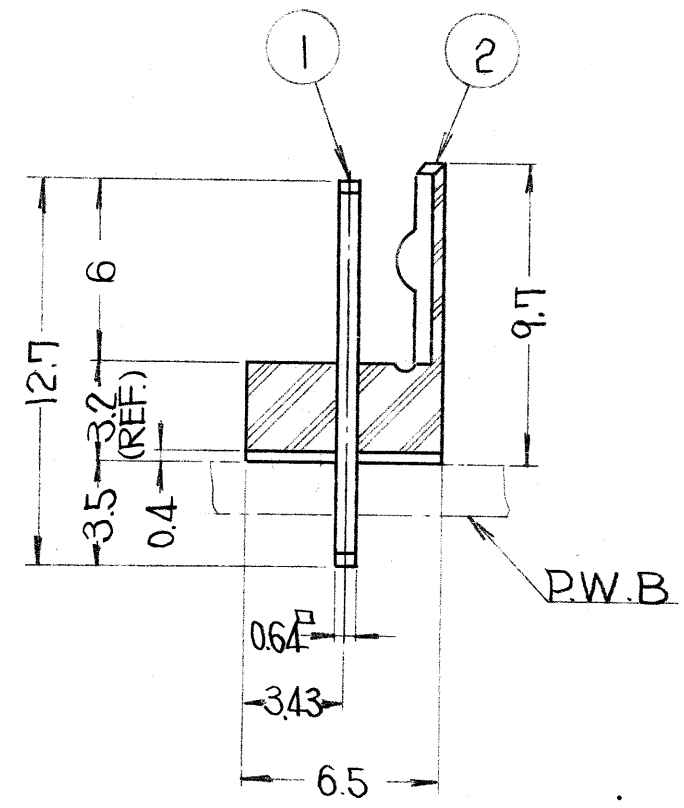
NOTE 1



NOTE 1
 0.65
 (BOTH ENDS)



TRADE MARK
 CAVITY IDENT. MARK



SECTION A-A

HOW TO ORDER

IL-***P-S3EN2-*(N)

NEW TYPE (5-CONTACT ONLY)
 INSULATOR COLOR (STANDARD COLOR;
 LIGHT BROWN ISN'T SHOWN)
 THICKNESS OF APPLICABLE P.C BOARD
 (2:1.6~2.4 THICK)
 INSULATOR TYPE
 CONTACT TYPE
 CONTACT SPACING (25mm ONLY)
 CONTACT ROW (SINGLE ONLY)
 POST SIDE
 NO. OF CONTACTS (SEE TABLE 1)
 SERIES PREFIX

2	INSULATOR	1	THERMOPLASTIC		
1	CONTACT	SEE TABLE 1	COPPER ALLOY	TIN OVER NICKEL	
ITEM	DESCRIPTION	Q'TY	MATERIAL	FINISH	PART NO.

NOTE
 1. NO PLATING ON THESE AREAS.

NEXT ASS'Y	USED ON	NEXT ASS'Y	FINAL ASS'Y
APPLICATION		QT'Y	REQ'D

UNLESS OTHERWISE SPECIFIED		DATE	DEC. 1977
DIMENSIONS ARE IN MILLIMETERS		DRAWN	E. MURANO
TOLERANCES ON:		CHECKED	H. Takeda
FRACTIONS	DECIMALS	ANGLES	APP'D T. SOMBI
	± 0.8 ± 0.5 ± 0.2		APP'D Joe Sauter
TREATMENT OR FINISH			

TITLE
JAE-CONNECTOR.COM
 STRIGHT PIN HEADER Reference Only
 IL-***P-S3EN2-*

IND. CO., LTD.
 FACTORY
 NAKAGAMI-CHO, AKISHIMA-SHI
 TOKYO, JAPAN

DWG. NO.
SJ015093-E

SHEET 1 OF 1

SCALE x 4
 DWG. SIZE B WT.

3rd Angle Drawing

Mouser Electronics

Authorized Distributor

Click to View Pricing, Inventory, Delivery & Lifecycle Information:

[JAE Electronics:](#)

[IL-5P-S3EN2-\(N\)](#)