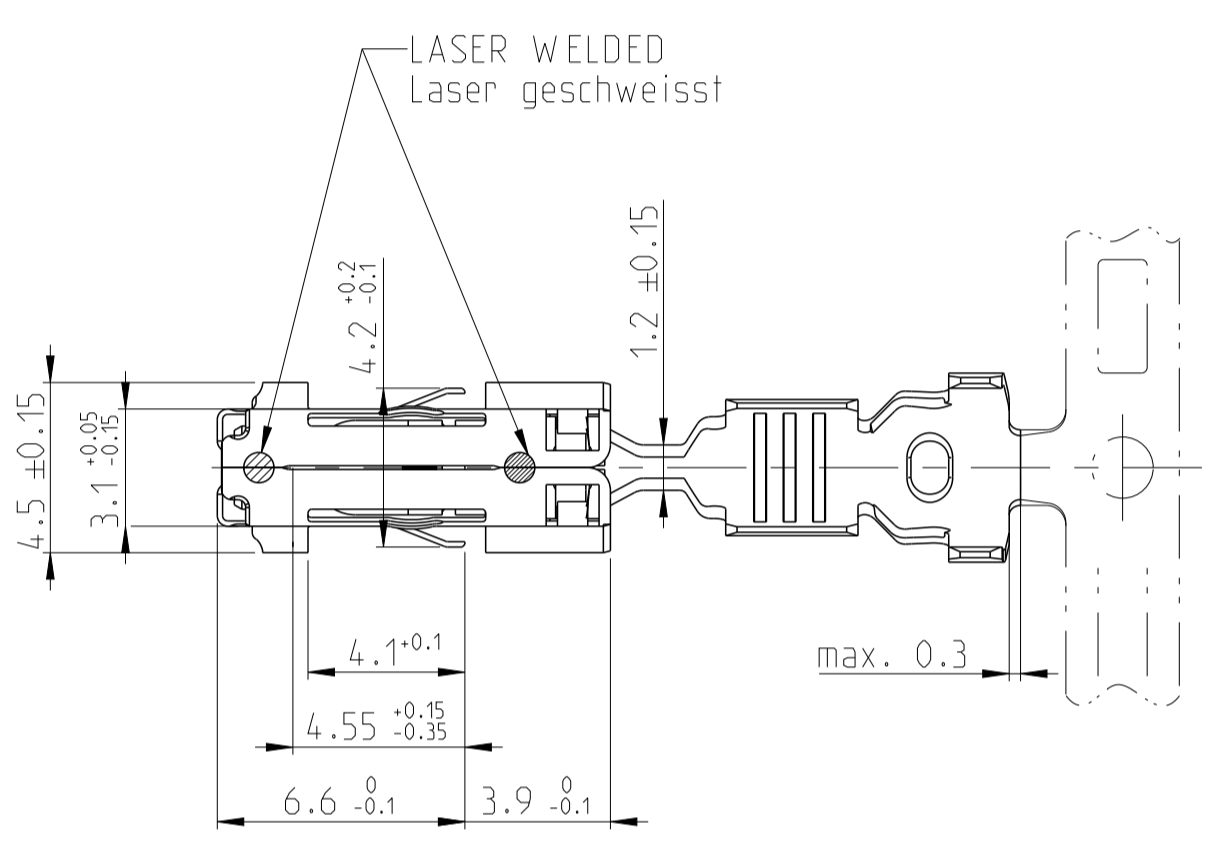
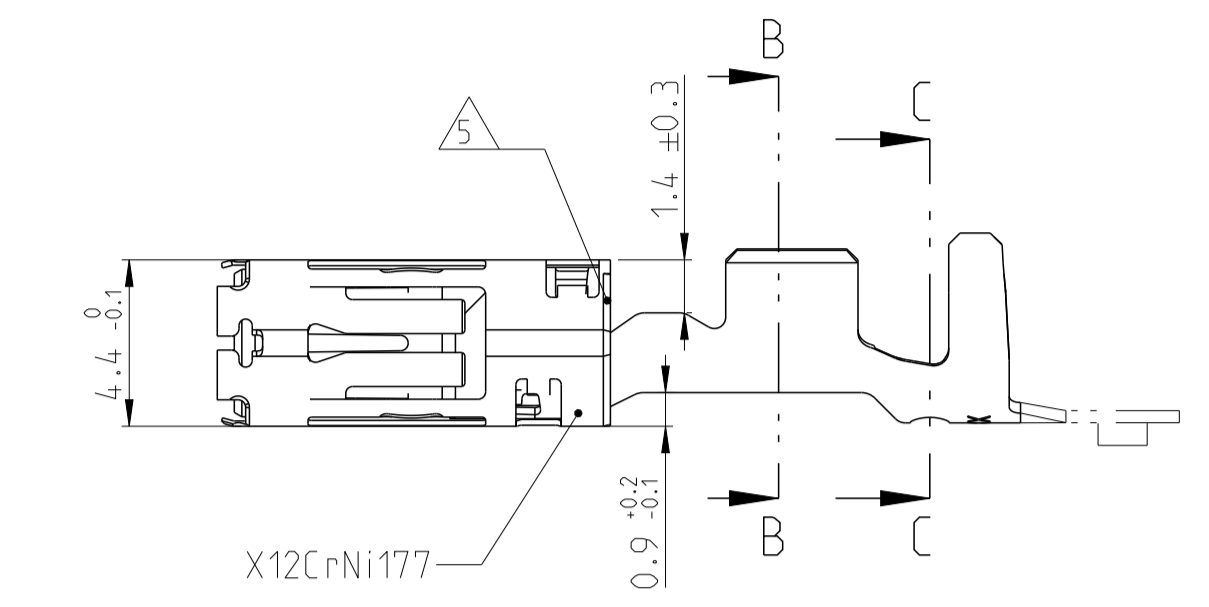
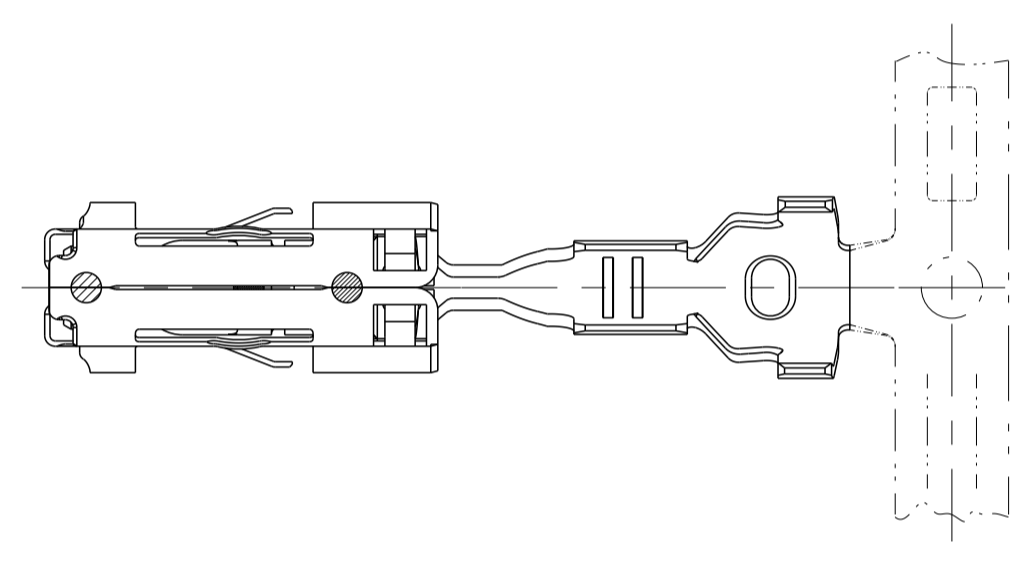
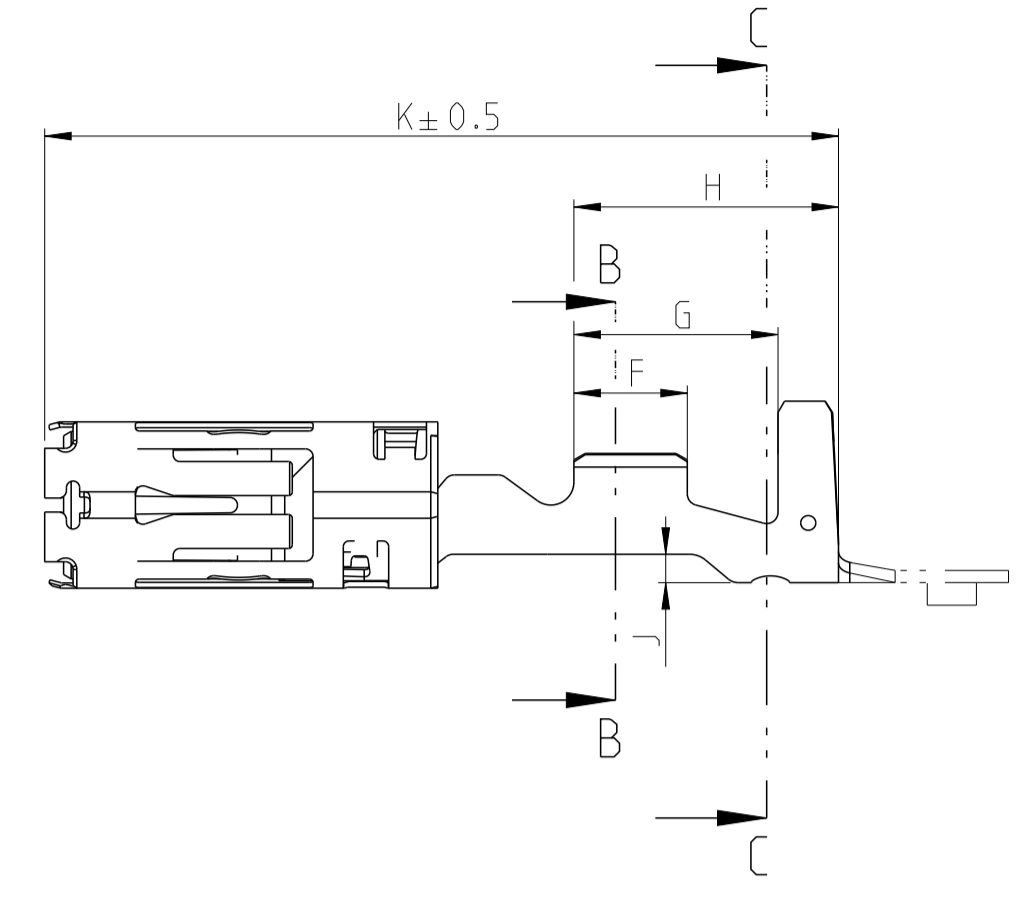


REVISIONS				
P	LTN	DESCRIPTION	DATE	APPV
A		NEW DRAWING CREATED	05.JUL.2004	PFEI BLEI
A1		PCN E-19-011373	01AUG2019	MAH. BECK

PN 1703035-X

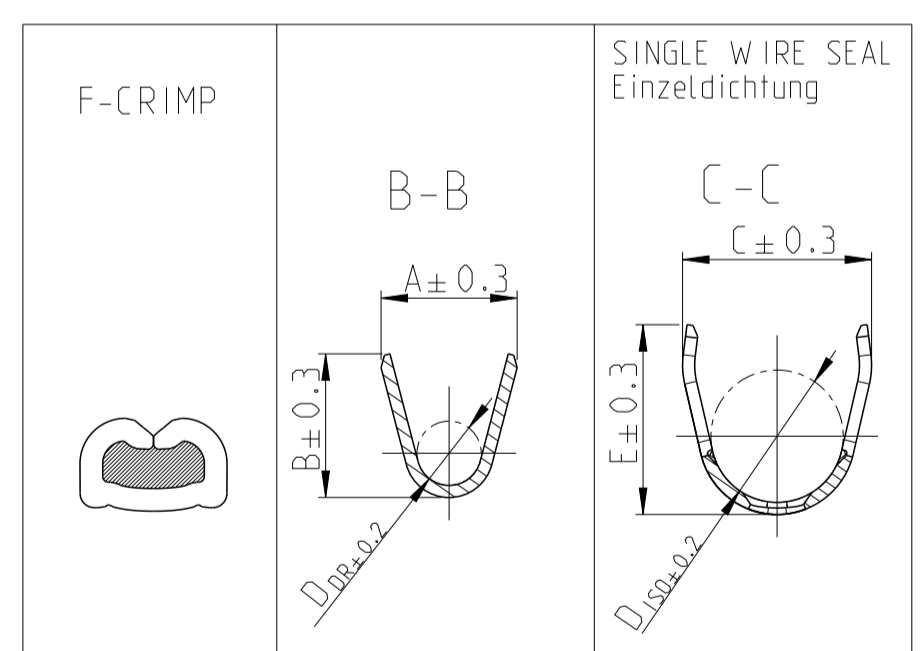


PN 1703034-X



NOTES
Bemerkungen

- MATING PART SEE INTERFACE SPECIFICATION: Gegenstecker nach Ausfuehrungsvorschrift: 114-18230-002; 2.8 $\begin{smallmatrix} +0.3 \\ -0.1 \end{smallmatrix}$ x 0.8 ± 0.03
- ONLY FOR FLR-WIRE SEE DIN 72551, PART 6 Nur fuer FLR-Leitung nach DIN 72551, PART 6
- ONLY IN ZONE OF CONTACT Nur in Kontaktzone
-
- OUTSIDE EDGE SWAGED Aussenkante angepraegt
- CRIMPDATA SEE APPLICATION SPEC. Crimpdaten sind der Verarbeitungsspezifikation zu entnehmen
- DETAILS OF DESIGN ARE LEFT TO MANUFACTURER Einzelheiten der Ausfuehrung bleiben dem Hersteller ueberlassen
- ONLY THE GERMAN-LANGUAGE VERSION SHALL BE BINDING Massgebend ist der deutsche Text
- STRIP THICKNESS OF THE BODY 0.32 ± 0.01 Kontaktkoerper Banddicke 0.32 ± 0.01
- STRIP THICKNESS OF THE SPRING 0.14 ± 0.01 Banddicke der Ueberfeder 0.14 ± 0.01



VERSION Ausfuehrung	TE ORDER NO. STRIP FORM TE Bestell-Nr. Bandware	REV.	MATERIAL Werkstoff	SURFACE Oberflaeche	APPLICATION TOOL Anschlag- WKZ	HAND TOOL Handzange	WIRE SIZE RANGE Leiter- querschnitt mm ²	PROCESSING PARAMETERS Verarbeitungs- parameter	CRIMP DIMENSIONS Crimpabmessungen mm											SINGLE WIRE SEAL Einzeldichtung	TE NO.	DEAD END PLUG Blindstopfen TE NO.	
									A	B	D _{DR}	C	E	D _{ISO}	F	G	H	J	K				
	-	-	CuNiSi	GOLD PLATED vergoldet	TE NO. X-878974-X	Basis-HZ TE NO. 354940-1	2.5	6	3.6	3.8	1.7	5.0	5.0	3.5	3.5	5.9	7.5	0.8	21	828905-1	828922-1		
	1703035-2	A		PRE TIN PLATED verzinkt																		Matrize TE NO. 539704-1	1.5
	-	-	CuNiSi	GOLD PLATED vergoldet	TE NO. X-878973-X	Basis-HZ TE NO. 354940-1	1.0	6	2.5	2.7	1.2	4.8	4.8	3.3	3	5.4	7	0.75	21	828904-1	828922-1		
	1703035-1	A		PRE TIN PLATED verzinkt																		Matrize TE NO. 539703-1	0.75
	1703034-2	A		PRE TIN PLATED verzinkt																			0.5
	1703034-1	A																					

THIS DRAWING IS A CONTROLLED DOCUMENT.		OWN G. Abraham	01 JUL 2004		PRODUCT GROUP DRAWING Tabellenzeichnung 2.8mm SENSOR FLAT RECEPTACLE		
DIMENSIONS: mm		CHK M. Pfeilschiffer	02 JUL 2004		NAME	PRODUCT GROUP DRAWING Tabellenzeichnung 2.8mm SENSOR FLAT RECEPTACLE	
TOLERANCES UNLESS OTHERWISE SPECIFIED:		APPV M. Pfeilschiffer	05 JUL 2004		SIZE	CAGE CODE DRAWING NO A 00779 C=1241995	
MATERIAL SEE TABLE		FINISH SEE TABLE	WEIGHT 0.625 g		RESTRICTED TO	SCALE 5:1 SHEET 1 OF 1 REV A1	

Mouser Electronics

Authorized Distributor

Click to View Pricing, Inventory, Delivery & Lifecycle Information:

[TE Connectivity:](#)

[1703034-1 \(Loose Piece\)](#)