



PRODUCT NUMBER
20020004-XXXXXXLF

20020004- LF

PITCH
C: 3.50 mm
D: 3.81 mm

POLES
02: 2 POLES
03: 3 POLES
04: 4 POLES
|
24: 24 POLES

LF : DENOTED RoHS COMPATIBLE

1 : STANDARD PRODUCT
W/ BOX PACKING

SCREW CODE

PROPERTY TABLE			
FCI SERIES NAME		01-350	01-381
PITCH (mm)		3.50	3.81
VOLTAGE RATING (VAC)		300	300
CURRENT RATING (A)	cULus	10	10
	VDE	10.5	10.5
APPLICABLE WIRE RANGE (AWG)	1-WIRE	16~26	16~26
	2-WIRE	20	20
WIRE CROSS SECTION (mm ²)	SOLID	1-WIRE	1.5
		2-WIRE	0.5
	STRANDED	1-WIRE	1.5
		2-WIRE	0.75
OPENING CONTACT HOUSING(mm ²)		1.6x2.5	1.7x2.5
WIRE STRIP LENGTH(mm)		6~7	6~7
TORQUE +/- 10% (N-m/Lb-in)		0.23/2.0	0.23/2.0
SCREW		M2x0.4	M2x0.4
WITHSTANDING VOLTAGE (kV)	cULus	1.6	1.6
	VDE	2.5	2.5
OPERATING TEMP. (°C)		-40~+115	-40~+115
POLES AVAILABLE		02~24	02~24
SAFETY CERTIFICATE			

HOUSING CODE

CODE	COLOR	AVAILABILITY
1	GREEN(RAL 6018/T)	STANDARD
2	BLACK	ON REQUEST ONLY
3	GREY(RAL 7004/P)	ON REQUEST ONLY
4	BLUE(RAL 5015/A)	ON REQUEST ONLY

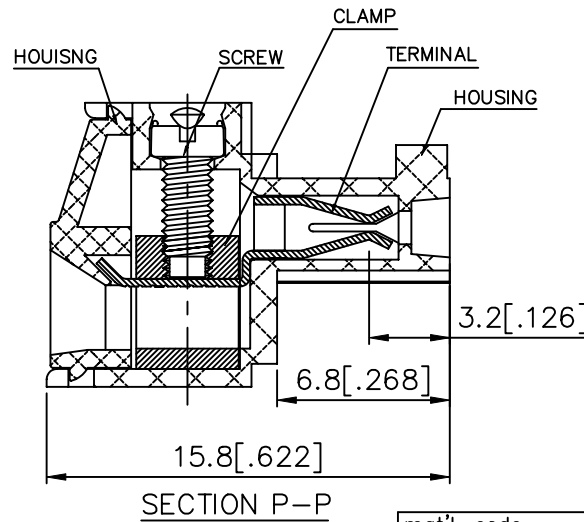
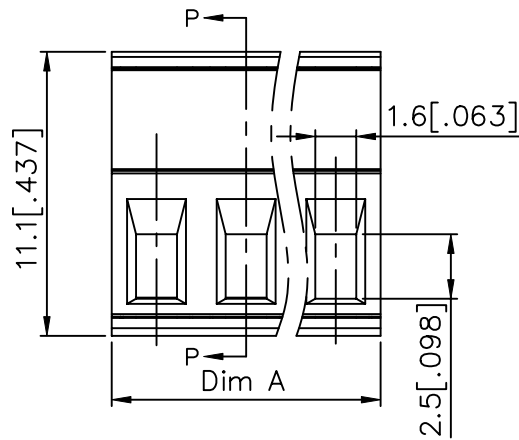
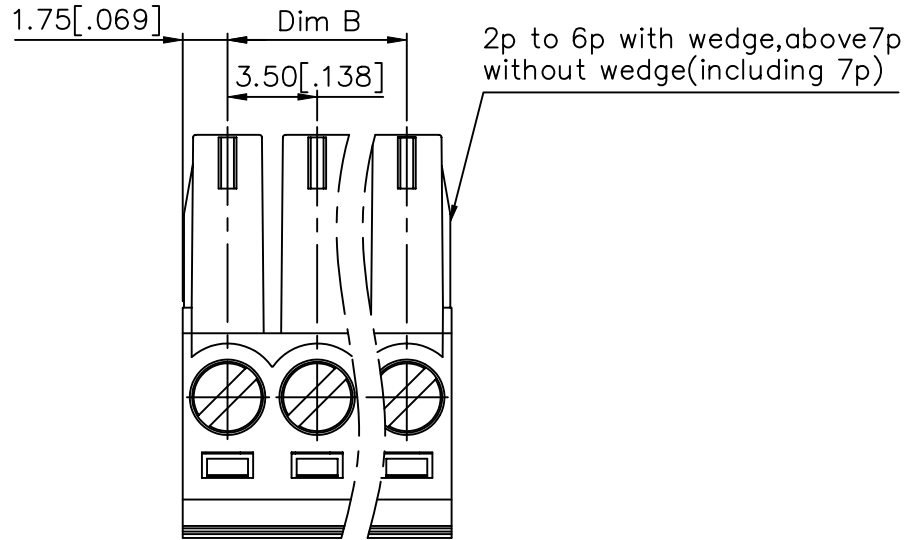
CODE	SCREW TYPE	AVAILABILITY
A	-/+	ON REQUEST ONLY
B	-	STANDARD

NOTES:

- MATERIALS
1-1 HOUSING: THERMALPLASTIC RESIN, UL 94V-0 RATED.
1-2 SCREW: STEEL, ZINC PLATED.
1-3 CLAMP: COPPER ALLOY, NICKEL PLATED.
1-4 TERMINAL: COPPER ALLOY, TIN PLATED.
- PRODUCT SPECIFICATION REFER TO FCI GS-12-625.
- BOXED PACKAGING,
DETAILED PRODUCT PACKING SPECIFICATION REFER TO FCI GS-14-1394.
- FCI, SAFETY CERTIFICATE LOGO AND SERIES NAME TO BE SHOWN ON PRODUCT SURFACE.
- THE PRODUCTS WHERE THE PART NUMBER END IN "LF" MEET THE EUROPEAN UNION DIRECTIVE AND OTHER COUNTRY REGULATIONS AS DESCRIBED IN GS-22-008.

mat'l. code				surface ASME Y14.5 ✓ / tolerance ASME Y14.5		projection		product family TERMINAL BLOCK	
ltr	ecn no	dr	date	tolerances unless otherwise specified				title	
E	T10-0127	WL	080910	angles	X.±0.5[.020]	MM		TERMINAL BLOCK	
F	T10-0147	WL	091310	to 1°	X.X±0.3[.012]	[INCH]		PLUGGABLE PLUG, SIGNAL, W/O FLANGE	
G	T10-0159	WL	100410	X°±1°	X.XX±0.1[.004]	scale		CONTACT UP SIDE	
H	T10-0187	WL	121410	dr	BEER FU	062509		dwg no sheet 1 of 3 size	
J	T10-0193	WL	122310	enr	BEER FU	062509		20020004 A4	
K	T11-0013	WL	040811	chr	GARY HSIEH	062509		type CUSTOMER Drawing	
L	T-004746	WL	072011	appd	JOSEPH HSIA	062509			
sheet index	revision	L	L	L					
	sheet	1	2	3					

PRODUCT NUMBER	SERIES NAME	PITCH
20020004-CXXXXXL	01-350	3.50 mm



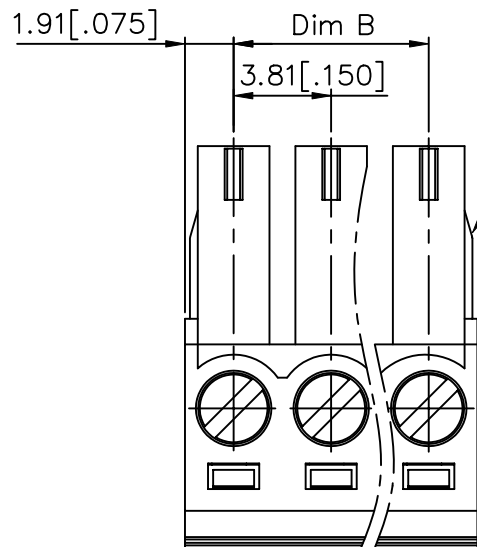
N = Number of Poles
Dim A = $N \times 3.5$ [.138]
Dim B = $(N-1) \times 3.5$ [.138]

POLES	Dim A	Dim B
2-6p	± 0.15 [.006]	
7-12p	± 0.20 [.008]	
13-18p	± 0.25 [.010]	
19-24p	± 0.30 [.012]	

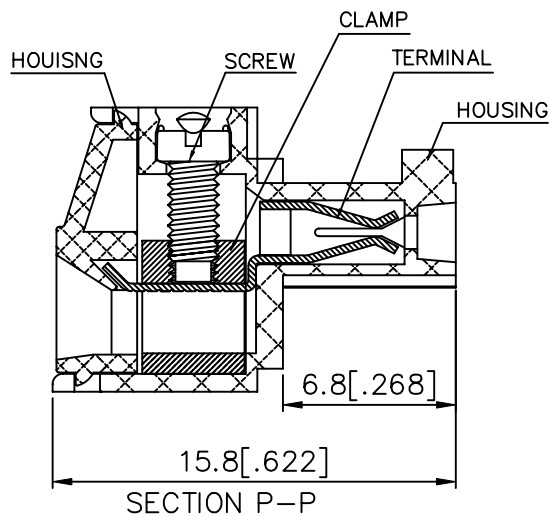
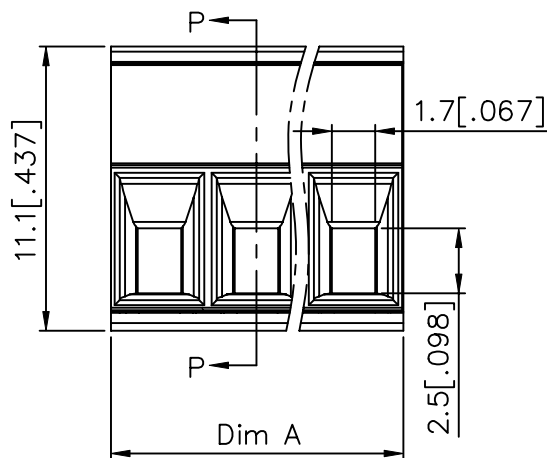
mat'l. code		surface ASME Y14.5 ✓	tolerance ASME Y14.5	projection [Symbol]	product family TERMINAL BLOCK				
ltr	ecn no	dr	date	tolerances unless otherwise specified	title				
L				<table border="1"> <tr> <td>angles</td> <td>MM</td> </tr> <tr> <td>X ± 1°</td> <td>[INCH]</td> </tr> </table>	angles	MM	X ± 1°	[INCH]	TERMINAL BLOCK PLUGABLE, PLUG, SIGNAL, W/O FLANGE
angles	MM								
X ± 1°	[INCH]								
dr	BEER FU	062509		scale	sheet 2 of 3 size				
enr	BEER FU	062509			20020004				
chr	GARY HSIEH	062509			A4				
app	JOSEPH HSIA	062509			type CUSTOMER Drawing				
sheet index	revision sheet								



PRODUCT NUMBER	SERIES NAME	PITCH
20020004-DXXXXXXLF	01-381	3.81 mm



2p to 6p with wedge, above 7p without wedge (including 7p)



N = Number of Poles
 Dim A = N x 3.81 [.150]
 Dim B = (N-1) x 3.81 [.150]

POLES	Dim A	Dim B
2-6p	±0.15 [.006]	
7-12p	±0.20 [.008]	
13-18p	±0.25 [.010]	
19-24p	±0.30 [.012]	

mat'l. code		surface ASME Y14.5 ✓	tolerance ASME Y14.5	projection 	product family TERMINAL BLOCK
ltr	ecn no dr	date		tolerances unless otherwise specified X. ±0.5 [.020] X.X ±0.3 [.012] X*±1* X.XX ±0.1 [.004]	title TERMINAL BLOCK PLUGABLE, PLUG, SIGNAL, W/O FLANGE sheet 3 of 3 size
L					
dr		BEER FU	062509	scale	20020004 A4
enr		BEER FU	062509		type CUSTOMER Drawing
chr		GARY HSIEH	062509		
app		JOSEPH HSIA	062509		
sheet index	revision sheet				

Mouser Electronics

Authorized Distributor

Click to View Pricing, Inventory, Delivery & Lifecycle Information:

Amphenol:

[20020004-D091B01LF](#) [20020004-C041B01LF](#) [20020004-C031B01LF](#) [20020004-D041B01LF](#) [20020004-D042A01LF](#)
[20020004-D072A01LF](#) [20020004-C033B01LF](#) [20020004-C162B01LF](#) [20020004-C084B01LF](#) [20020004-D041A01LF](#)
[20020004-D051A01LF](#) [20020004-D042B01LF](#) [20020004-C042B01LF](#) [20020004-C083B01LF](#) [20020004-C122B01LF](#)