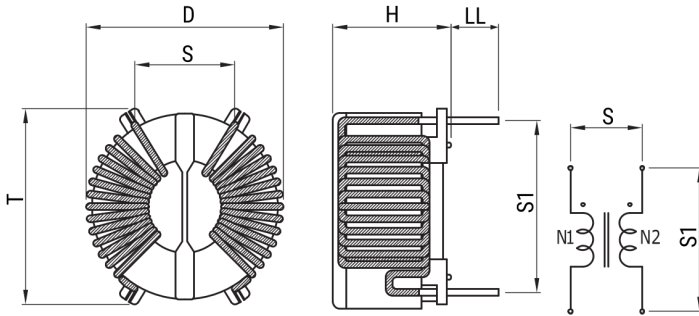


SC-02-E50JKH

Aliases (UALSC02E50JKH0)

KEMET, SC_JKH, AC Line Filters, Common Mode, 5.4 mH



Click [here](#) for the 3D model.

Dimensions

D	24.5mm MAX
T	24.5mm MAX
H	17mm MAX
LL	3.5mm +/-1mm
S	11mm NOM
S1	18mm NOM
Wire Size	0.75mm

Packaging Specifications

Packaging	Tray
Packaging Quantity	320
Component Weight	13.9 g

General Information

Series	SC_JKH
Style	Through-Hole
RoHS	Yes
Notes	Lead Spacing (S/S1) Are For Reference Only.
Miscellaneous	Temperature Rise Maximum: 40 K.
Core	Mn-Zn Ferrite

Specifications

Voltage AC	250 VAC
Inductance	5.4 mH
Current	2.7 A
Temperature Range	-25/+120°C
DC Resistance	55 mOhms