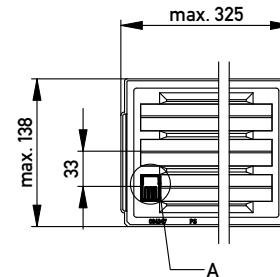
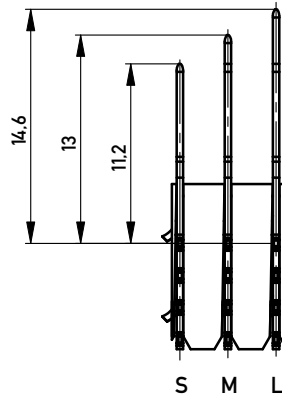


Kontaktübersicht:
contacts overview

L = lang / long
M = mittel / middle
S = kurz / short

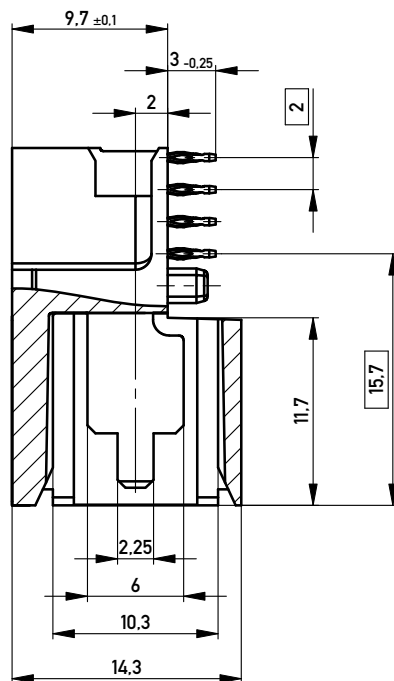
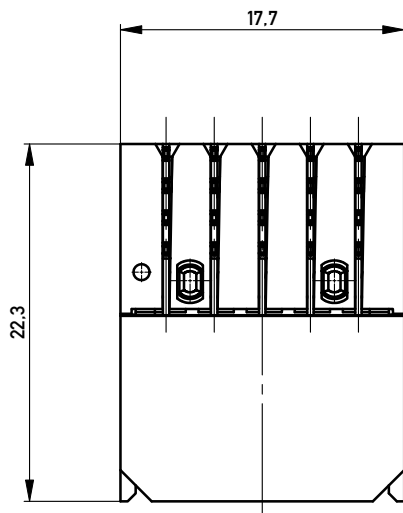
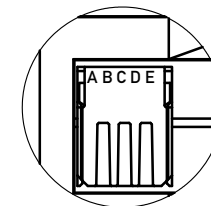


M 1 : 5

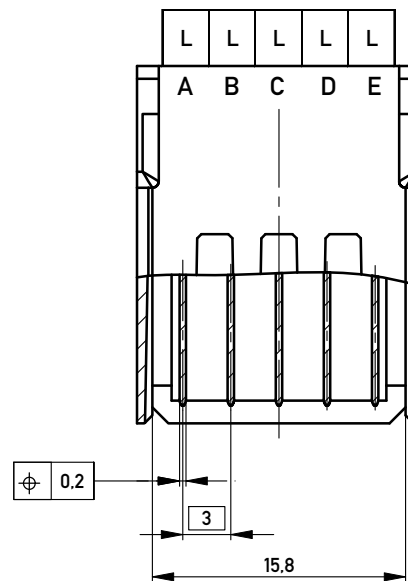
verpackt in Tray
VPE: 48 St.

tray packaging
packaging unit 48 pcs.

DETAIL A
MAßSTAB 1 : 1



Bestückungsplan
contact layout



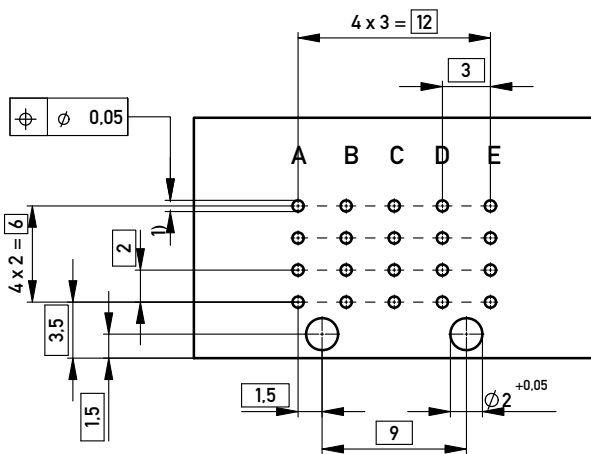
Gehäuse / housing: PBTP grau 30% GF / PBTP gray 30% GF
Kontakte / contacts: Phosphor Bronze / phosphor bronze

Oberflächenbeschichtung / plating:
Kontaktbereich / mating area: 2-3 µm Ni 1.2 µm Au
Anschlussbereich / termination: 2-3 µm Ni 1 µm Sn matt

Bedruckungsvorschrift siehe Id.-Nr. 294996 /
printingcode Id.-No. 294996

Anforderungsstufe 1
class 1

Lochbild für Leiterplatte
Board hole pattern



- 1) $\varnothing 0.6 \pm 0.05$ Durchmesser des metallisierten Loches
 $\varnothing 0.6 \pm 0.05$ Diameter of finished plated-through hole

Schichtaufbau im metallisierten Loch
siehe Zeichnung 114406
Metal plating of plated-through hole
see drawing 114406

Copyright by ERNI GmbH.
Proprietary notice pursuant to ISO 16016 to be observed.

Information:		Tolerances	 All Dimensions in mm	Scale	3:1
All rights reserved. Only for Information. To ensure that this is the latest version of this drawing, please contact one of the ERNI companies before using.		Subject to modification without prior notice. Drawing will not be updated.		Designation ERmet Messerl. PM 5 pol RC ERmet Male PM 5 pin RC	
-		www.ERNI.com		244997	
Index	04.09.2007	ERNI		I A3	
Date		Class		ERMPM	

Mouser Electronics

Authorized Distributor

Click to View Pricing, Inventory, Delivery & Lifecycle Information:

[ERNI Electronics:](#)

[244997](#)