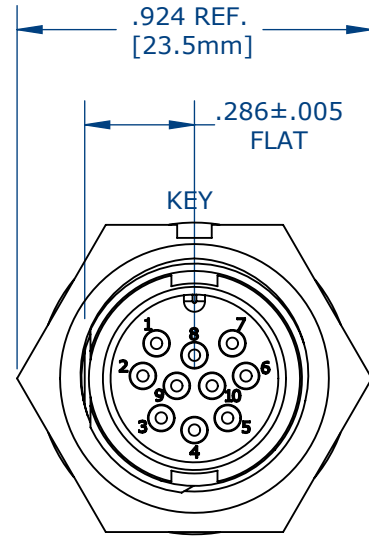


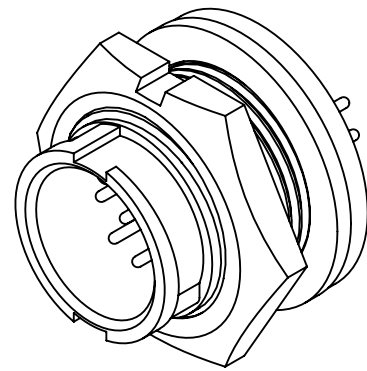
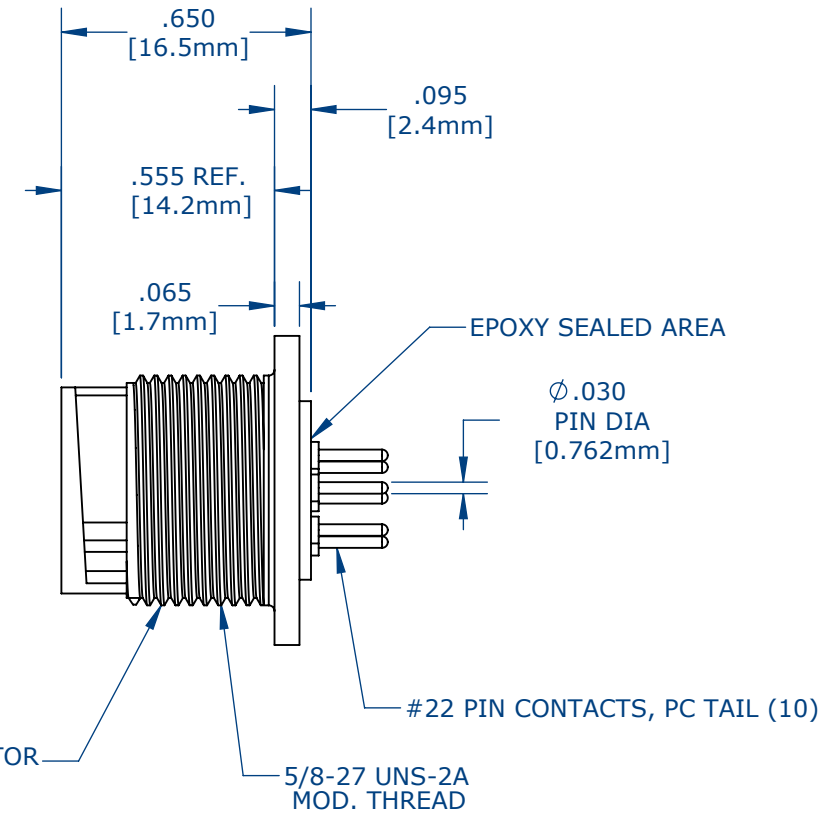
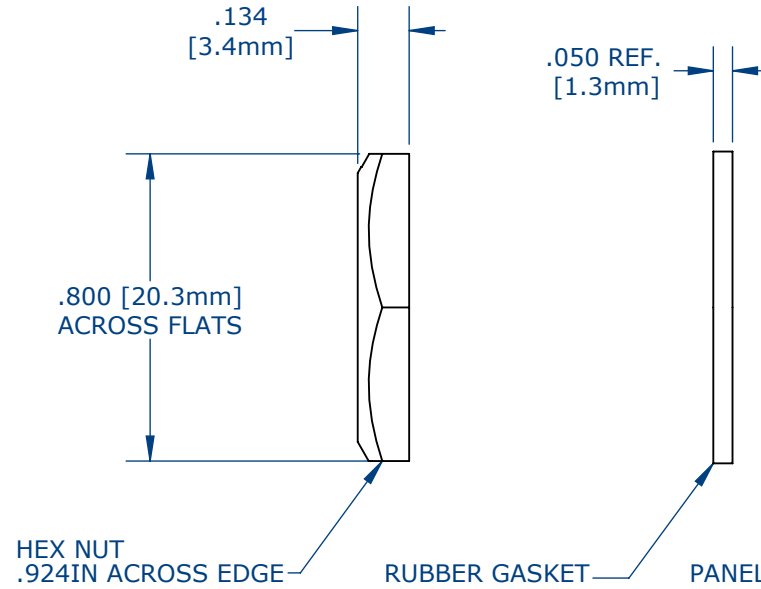
NOTES:

1. PC TAIL CONTACTS ARE INSTALLED INTO CONNECTOR (SHOWN)
2. ALL DIMENSIONS ARE FOR REFERENCE.

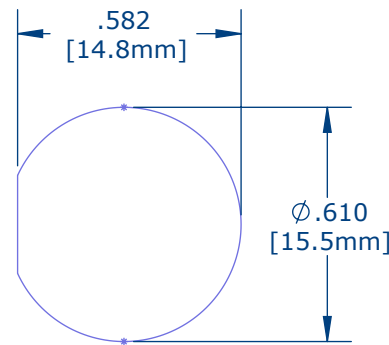
ASS'Y P/N	EPOXY
W7881-10PG-300	NO
W7881-10PG-3ES	YES



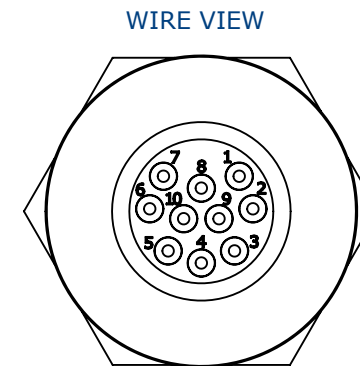
FACE VIEW
W7881-10PG-300 SHOWN



ASSEMBLED VIEW
FOR CUSTOMER REFERENCE



RECOMMENDED
PANEL CUT-OUT
TOLERANCE: ±.003



CUSTOMER APPROVAL

THIS DOCUMENT CONTAINS CONFIDENTIAL INFORMATION PROPRIETARY TO CONXALL CORPORATION. ANY REPRODUCTION, DISCLOSURE, OR USE OF THIS DOCUMENT /INFORMATION IS EXPRESSLY PROHIBITED UNLESS AUTHORIZED IN WRITING BY CONXALL CORPORATION.

APPROVED BY: _____

DATE: _____

CUSTOMER DRAWING

0A	AM	04/04/16	DRAWINGS CREATED PER PDR# 13015	
REV.	INIT.	DATE	DESCRIPTION	
	AM	04/04/16	ORIG. DRAWN BY: DATE: AM 04/04/16	
ALL INFORMATION ILLUSTRATED IS THE PROPERTY OF "CONXALL CORPORATION." UNAUTHORIZED DUPLICATION OR DISTRIBUTION OF THIS DOCUMENT IS PROHIBITED.			CHECKED BY:	
ALL UNITS ARE IN FEET, INCHES, FRACTION OF INCHES AND DECIMALS.			APPROVED BY:	
UNLESS OTHERWISE SPECIFIED TOLERANCES: 3 PLACE DECIMALS ±.005 ANGLES ±1° FRACTIONS ±1/16 - CRITICAL CHARACTERISTIC FLAG PER SPEC. XXXX			SCALE	SIZE
			NTS	B
			SHEET	1 OF 1
			DIRECTORY:	SLW
			PART NUMBER:	W7881-10PG-3XX
				REV 0A



601 E. WILDWOOD VILLA PARK, IL 60181

TITLE: PANEL CONNECTOR ASSEMBLY
(10) #22 PIN CONTACT, PC TAIL
MINI-CON-X
STANDARD PRODUCT

RoHS COMPLIANT

Mouser Electronics

Authorized Distributor

Click to View Pricing, Inventory, Delivery & Lifecycle Information:

[Switchcraft:](#)

[W7881-10PG-3ES](#) [W7881-10PG-300](#)