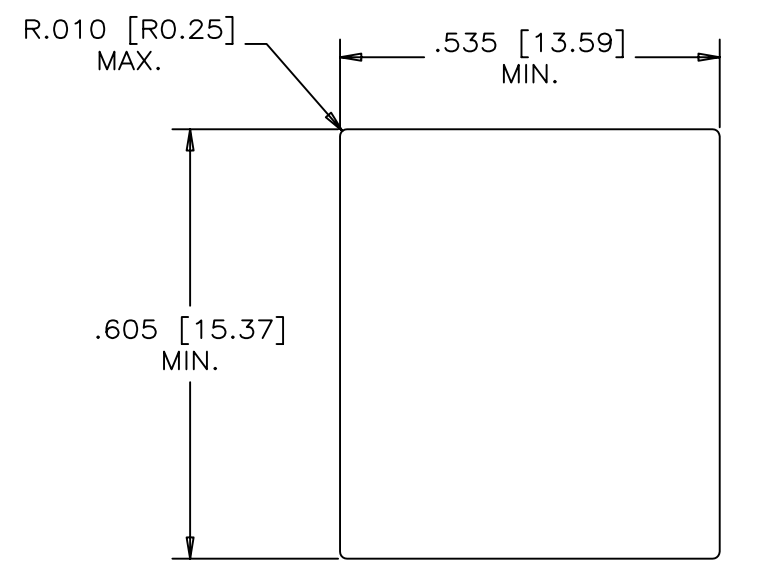
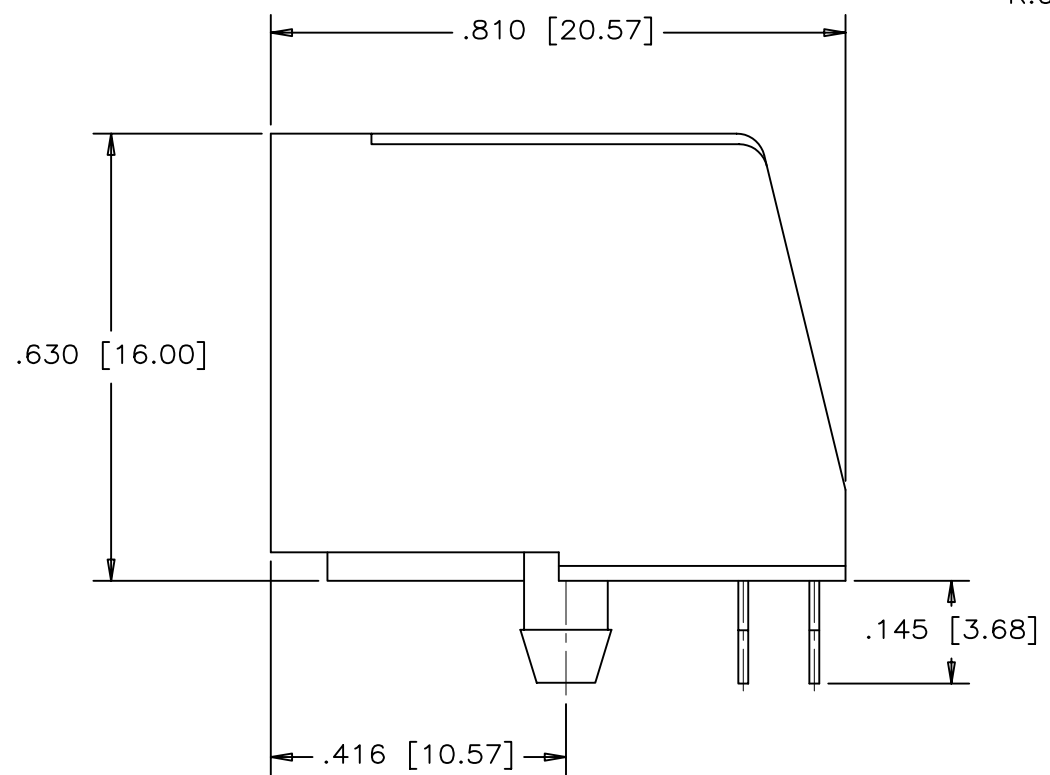
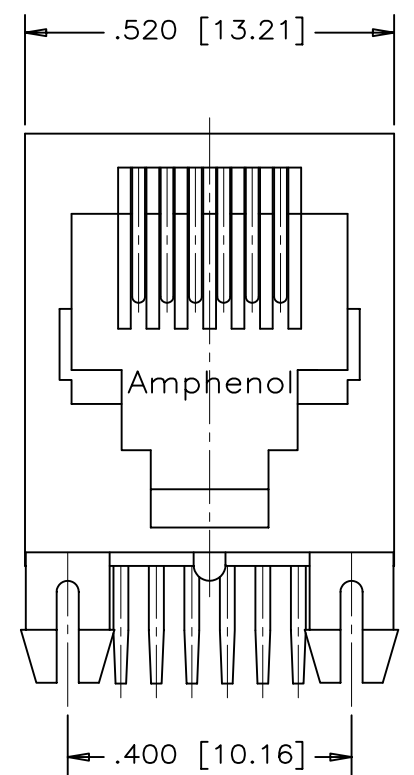
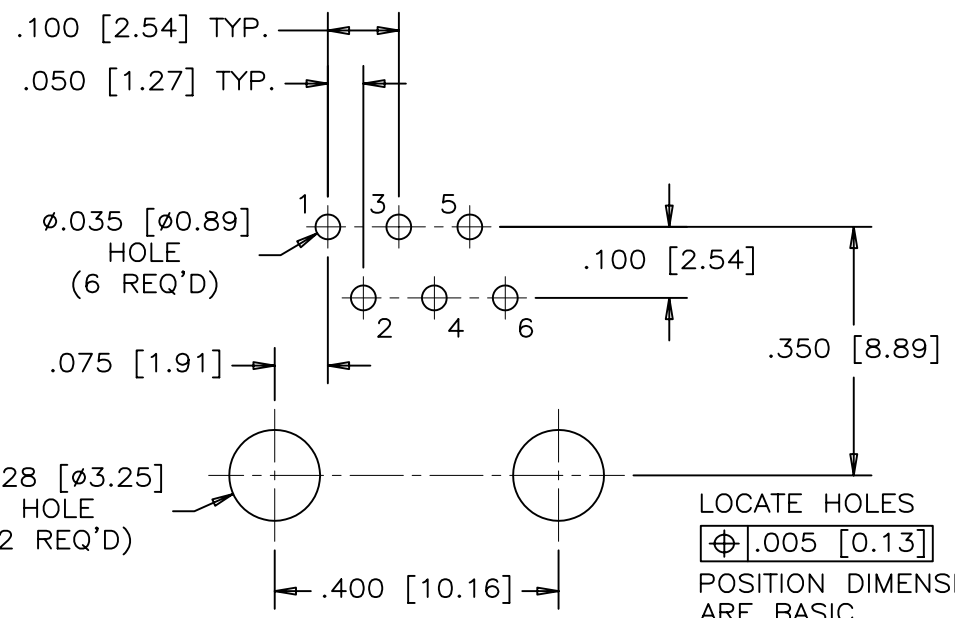


REVISIONS				
SYM	ZONE	ECN, ERN NO.	DATE	APPRD.
A		PROPOSAL	06/03/14	



RECOMMENDED PANEL CUTOUT



RECOMMENDED P.C.B. LAYOUT
(COMPONENT SIDE OF BOARD)



MATERIALS:

HOUSING: GLASS REINFORCED THERMOPLASTIC POLYESTER
FLAMMABILITY RATING UL94V-0
COLOUR: BLACK

CONTACTS: PHOSPHOR BRONZE
REFER TO PART NUMBER FOR GOLD THICKNESS ON MATING SURFACES. 50 MICROINCH [1.27 MICRONS] MIN. NICKEL UNDERPLATE. MICROINCH [2.54 MICRONS] MIN. MATTE-TIN ON CONTACT TAILS.

RECOMMENED DOLDERING TEMPERATURE:
WAVE SOLDERING AT 240°C MAXIMUM FOR 3 SEC MAXIMUM.

AMPHENOL PART NUMBER: R J E 0 2 - 1 6 X - 0 X 1 0

- | | |
|--|---------------------|
| <u>CONTACTS</u> | <u>GOLD PLATING</u> |
| 2 = 2 CONTACTS LOADED IN POSITION 3 & 4 | 1 = 6 MICROINCH |
| 4 = 4 CONTACTS LOADED IN POSITION 2 TO 5 | 2 = 15 MICROINCH |
| 6 = 6 CONTACTS LOADED IN POSITION 1 TO 6 | 3 = 30 MICROINCH |
| | 4 = 50 MICROINCH |

THIS DOCUMENT CONTAINS PROPRIETARY INFORMATION AND SUCH INFORMATION MAY NOT BE DISCLOSED TO OTHERS FOR ANY PURPOSE OR USED FOR MANUFACTURING PURPOSES WITHOUT WRITTEN PERMISSION FROM AMPHENOL CANADA CORP.

MATERIAL	DRAWN PAULW	DATE 06/03/14
	DESIGNED	
FINISH	CHECKED CHIGOW	DATE 06/03/14
	I. E. APPRD.	
	Q. A. APPRD.	
	DWG. APPRD.	
	ENG. REL. NO.	
	REF.	
	DIMENSIONS ARE IN INCHES [mm]	CODE ID. NO. 03554

Amphenol Canada Corp.		
TITLE MODULAR JACK, SINGLE PORT 6 POSITION, NO SHIELD AND NO FLANGE - RoHS COMPLIANT		
DWG C	DRAWING NO. P-RJE02-16X-0X10	REV. A
SCALE 5/1	WT. -----	SURF. -----
SHEET 1 OF 1		

Mouser Electronics

Authorized Distributor

Click to View Pricing, Inventory, Delivery & Lifecycle Information:

Amphenol:

[RJE02-166-0210H](#) [RJE02-166-0220](#) [RJE02-166-0310](#) [RJE02-166-0410](#) [RJE02-166-0410H](#) [RJE02-166-0420](#)
[RJE02-166-0420H](#) [RJE02-166-0110](#) [RJE02-166-0110H](#) [RJE02-166-0120](#) [RJE02-166-0120H](#) [RJE02-166-0210](#)
[RJE02-166-0220H](#) [RJE02-166-0310H](#) [RJE02-166-0320](#) [RJE02-166-0320H](#)